



# **TORMAX**

## **AUTOMATIC**

---

**1201/**

**TTX 1102**

---

***PARTS CATALOGUE***

---

TORMAX USA Inc.

12859 Wetmore Rd.  
SAN ANTONIO, TX 78247  
(210) 494-3551  
(210) 494-5930 [FAX]

★★★★★  
**TORMAX**  
 AUTOMATIC



US801788  
 TTX/ 1102 OPERATOR (NEW)  
 US801794  
 1102 OPERATOR (IN-WARRANTY)



US801787  
 TORMAX 1201 OPERATOR (NEW)  
 US801795  
 1201 OPERATOR (IN-WARRANTY)



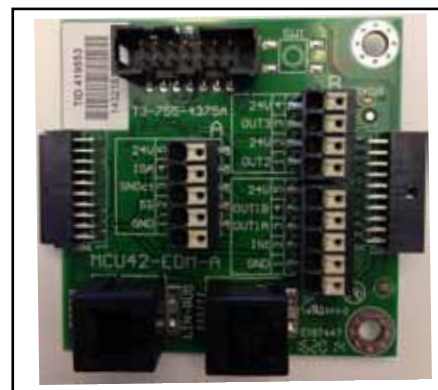
US801888  
 1102/ 1201 POWER SUPPLY  
 (115v)



US801887  
 1102/ 1201 CONTROL BOARD  
 (MCU42-BDM-A)



US801791  
 MULTI-DOOR MODULE  
 (MDM-B)



US801792  
 EXTERIOR DOOR MODULE  
 (EDM)



US801793  
 POWER DOOR MODULE  
 (PDM)



US801789  
 PROGRAMMING INTERFACE  
 MODULE (PIM)



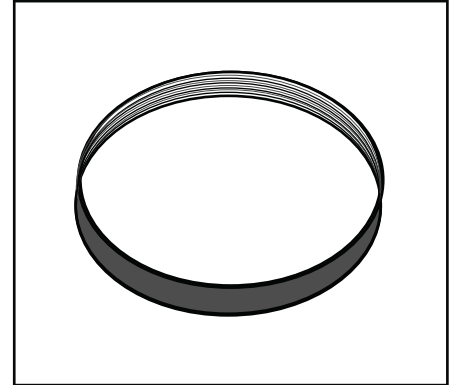
US801790  
 BATTERY BACKUP UNIT  
 W/INTERFACE CABLE  
 (ONE PER OPERATOR)



US801889  
 TTX/ 1102 Motor



US801891  
 1201 MOTOR



US801890  
 1102 V-BELT (4 RIBS IN THE BELT)  
 US801892  
 1201 V-BELT (5 RIBS IN THE BELT)



SVR.EVK  
 BATTERY BACK-UP  
 EXTENSION HARNESS



141154 ON/OFF/HOLD OPEN  
 SWITCH WITH HARNESS  
 140196 ROCKER SWITCH (ONLY)  
 (SAME AS TTX II/1301)



US802063  
 SLC SWING DOOR  
 ON/OFF/HOLD OPEN  
 SWITCH



US801886  
 1102/ 1201 COMMUNICATION  
 HARNESS SIM PAIR / DOUBLE EGRESS



US801328  
 iMOTION FCP PROGRAMMER  
 (WITH 6FT CORD)  
 (SAME AS 1301)



US801101  
 FUNCTION CONTROL PANEL



US801449  
 LIN BUS CABLE ASSY. (7')  
 US801573  
 LIN BUS CABLE ASSY. (14')



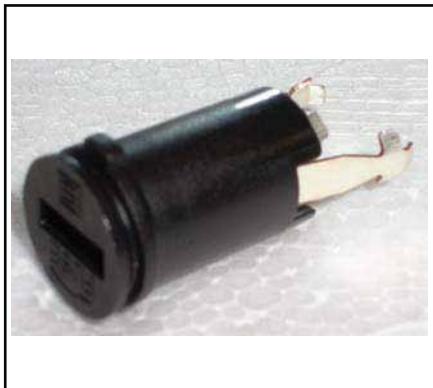
US801197  
 6 POLE LIN BUS CRIMPING TOOL  
 US801198  
 6 POLE LIN BUS CABLE (PER FT)



US801199  
 6 POLE LIN BUS CONNECTORS



332362  
 FUSE T5A -  
 CONTROLLER (10 PER PKG)



US801314  
 Fuse Holder



US801883  
 1102/ 1201 MAINS POWER  
 PLUG



US801322  
 BEA Br3 LOGIC MODULE



24VAC  
 24vAC TRANSFORMER



111165  
 24VDC DPDT RELAY



408368 - CLEAR FINISH  
 405068 - BLACK FINISH  
 OUTSWING DOOR ARM ASSY  
 (0 - 4 3/16" REVEAL)  
 (SAME AS TTX II/1301)



408369 - CLEAR FINISH  
 405648 - BLACK FINISH  
 OUTSWING DOOR ARM ASSY  
 (4 1/8 - 9 7/8" REVEAL)  
 (SAME AS TTX II/1301)



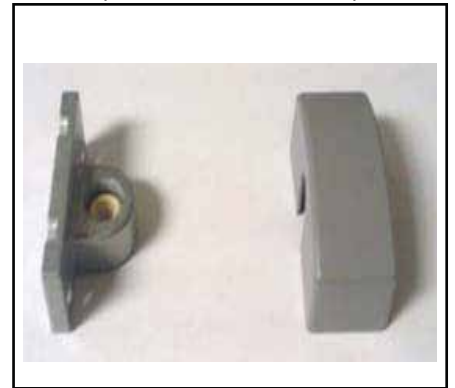
US801323 - CLEAR FINISH  
 141195 - BLACK FINISH  
 DBL EGRESS OUTSWING DOOR  
 ARM ASSY (0 - 4 3/16" REVEAL)  
 (SAME AS TTX/1301)



US801324 - CLEAR FINISH  
 141196 - BLACK FINISH  
 DBL EGRESS OUTSWING DOOR  
 ARM ASSY (4 1/8 - 9 7/8" REVEAL)  
 (SAME AS TTX II/1301)



US801290 - BLACK COVER  
 OUTSWING DOOR ARM ATTACHMENT  
 BRACKET C/W COVER  
 (SAME AS TTX/1301)



US801291 - GREY COVER  
 OUTSWING DOOR ARM ATTACHMENT  
 BRACKET C/W COVER  
 (SAME AS TTX/1301)



US801298 - BLACK FINISH  
 US801296 - CLEAR FINISH  
 OUTSWING DOOR ARM ADJUSTMENT  
 ELEMENT (0 - 4 3/16" REVEAL)  
 (SAME AS TTX II/1301)



US801299 - BLACK FINISH  
 US801297 - CLEAR FINISH  
 OUTSWING DOOR ARM ADJUSTMENT  
 ELEMENT (4 1/8 - 9 7/8" REVEAL)  
 (SAME AS TTX II/1301)



US801307 - BLACK FINISH  
 US801306 - CLEAR FINISH  
 OUTSWING DOOR DRIVE ARM LEVER  
 (SAME AS TTX II/1301)



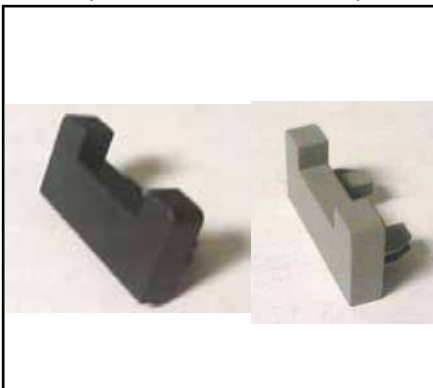
US801325 - CLEAR FINISH  
 141133 - BLACK FINISH  
 RH INSWING DEEP REVEAL ARM  
 AND TRACK (0"-6" REVEAL)  
 (SAME AS TTX II/1301)



US801327 - CLEAR FINISH  
 141134 - BLACK FINISH  
 LH INSWING DEEP REVEAL ARM  
 AND TRACK (0"-6" REVEAL)  
 (SAME AS TTX II/1301)



408372 - CLEAR FINISH  
 407456 - BLACK FINISH  
 INSWING DOOR ARM AND SLIDE  
 TRACK (0" REVEAL, TRACK 25 19/32")  
 (SAME AS TTX II/1301)



US801305 - BLACK CAP  
 US801304 - GRAY CAP  
 INSWING SLIDE TRACK END CAP  
 (SAME AS TTX II/1301)



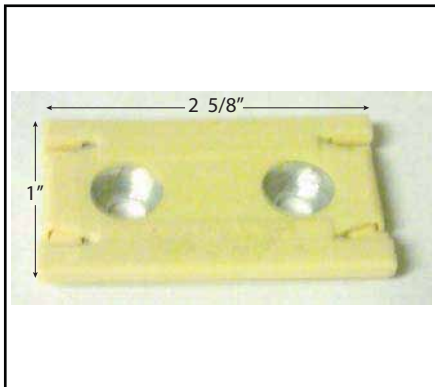
US800694 - BLACK COVER  
 INSWING DOOR ARM  
 SLIDE BLOCK ASSEMBLY  
 (SAME AS TTX II/1301)



US801300 - GREY COVER  
 INSWING DOOR ARMSLIDE  
 BLOCK ASSEMBLY  
 (SAME AS TTX II/1301)



US801303 - BLACK COVER  
 US801302 - GREY COVER  
 INSWING DOOR ARMSLIDE  
 BLOCK ASSY C/W COVER  
 (SAME AS TTX II/1301)



US801301  
 INSWING DOOR ARM SLIDE  
 BLOCK PLASTIC INSERT  
 (SAME AS TTX II/1301)



110743  
 ARM STOP  
 (CLEAR FINISH ONLY)

★★★★★  
**TORMAX**  
 AUTOMATIC



US801295 - BLACK FINISH  
 US801294 - CLEAR FINISH  
 INSWING DRIVE ARM LEVER  
 (SAME AS TTX II/1301)



US801292 - BLACK FINISH  
 US801293 - CLEAR FINISH  
 DOOR TRACK (25 19/32")  
 (SAME AS TTX II/1301)



US800021 - CLEAR FINISH  
 US801501 - BLACK FINISH  
 C-CHANNEL ARM EXTENSION  
 (SPECIAL APPLICATION)



US801983  
 OUTSWING BRUSH STAINLESS  
 STEEL DOOR ARM  
 (0-4 3/16" REVEAL)



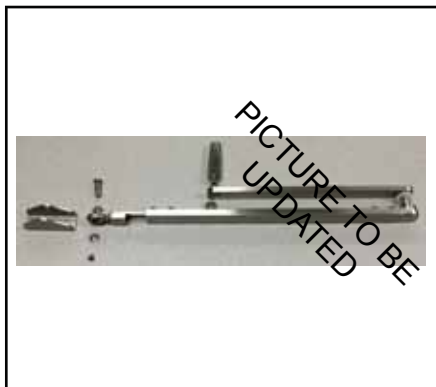
US801984  
 OUTSWING BRUSH STAINLESS  
 STEEL DOOR ARM  
 (4 1/8 - 9 7/8" REVEAL)



US801996  
 INSWING BRUSH STAINLESS  
 STEEL DOOR ARM  
 (0" REVEAL)



US801983-P  
 OUTSWING POLISH STAINLESS  
 STEEL DOOR ARM  
 (0-4 3/16" REVEAL)



US801984-P  
 OUTSWING POLISH STAINLESS  
 STEEL DOOR ARM  
 (4 1/8 - 9 7/8" REVEAL)



US801996-P  
 INSWING POLISH STAINLESS  
 STEEL DOOR ARM  
 (0" REVEAL)



141020  
 DOUBLE EGRESS / DEEP REVEAL IN  
 2.65" DRIVE ARM SHAFT  
 (SAME AS TTX II/1301)



141032  
 STANDARD IN & OUT  
 3.22" DRIVE ARM SHAFT  
 (SAME AS TTX II/1301)



141106  
 DOUBLE EGRESS OUT  
 3.94" DRIVE ARM SHAFT  
 (SAME AS TTX II/1301)



141205  
 SPECIAL APPLICATIONS  
 4.84" DRIVE ARM SHAFT  
 (SAME AS TTX II/1301)



US801966  
 STAINLESS STEEL  
 2.90" DRIVE ARM SHAFT



Old Extraction  
 New Extraction  
 US800689  
 SHAFT BOLT (SAME AS TTXII)  
 US801643  
 SHAFT EXTRACTION BOLT  
 (SAME AS 1301)



140881  
 HEADER END CAP W/  
 SWITCH CUT-OUT, BLACK  
 (SAME AS TTX I/II)



140880  
 HEADER END CAP W/O  
 SWITCH CUT-OUT, BLACK  
 (SAME AS TTX I/II)



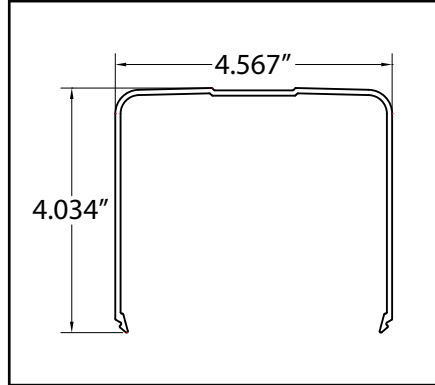
141150  
 DUMMY SPINDLE CUTOUT  
 PLASTIC COVER PLATE  
 (SAME AS TTX II/1301)



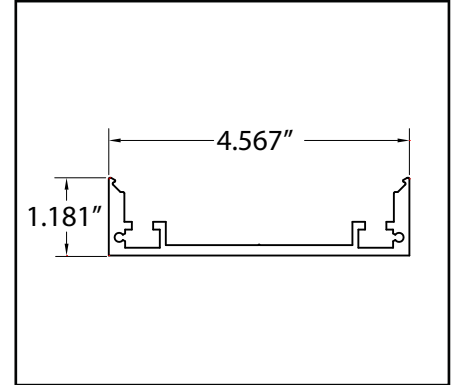
★★★★★  
**TORMAX**  
 AUTOMATIC



141151  
 PLASTIC SPINDLE RING  
 SPINDLE CUTOUT  
 (SAME AS TTX II/1301)



140197-01288 (CLEAR)  
 140197-02288 (DARK BRONZE)  
 COVER - PER/FT  
 (SAME AS TTX)



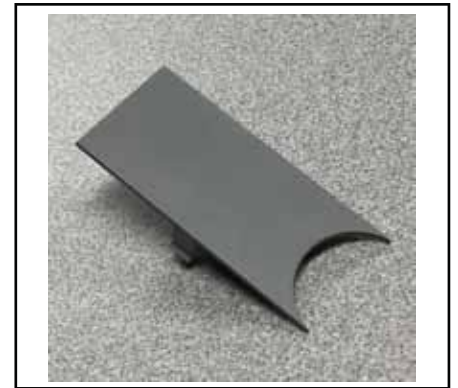
140198-01288 (CLEAR)  
 140198-02288 (DARK BRONZE)  
 BACKPLATE - PER/FT  
 (SAME AS TTX)



US802060-01236 CLEAR  
 US802060-02236 DARK BRZ  
 SLC HEAD COVER  
 SOLD BY INCH



US802064  
 SLC SIDE PLATE/  
 END CAP



US802061  
 SLC SHAFT COVER



US802062  
 SLC MOUNTING  
 SUPPORT BRACKET



140737-03 - #8 X 1/2"  
 COVER SCREW LARGE PAN HEAD  
 PHSHEET METAL ZINC FINISH  
 (SAME AS TTX II/1301)

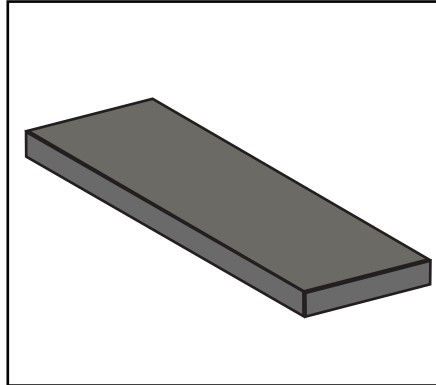


140737-04 - #8 X 1/2"  
 END CAP & COVER SCREW  
 LARGE PAN HEAD PH SHEET METAL  
 (SAME AS TTX II/1301)

★★★★★  
**TORMAX**  
 AUTOMATIC



141152  
 OPERATOR CLAMP  
 (SAME AS TTXII)



US801911  
 RUBBER ISOLATION PAD  
 OPERATOR CLAMP



140292-37  
 5/16-18 x 3/4" G. SOC HD  
 OPERATOR CLAMP SCREW  
 (SAME AS TTXII)



US801522  
 5/16 - 18 HEX HD NUT  
 FOR OPERATOR CLAMP  
 (SAME AS TTXII)



141030  
 ENTER ARROW - ONE WAY



141031  
 EXIT - ONE WAY 2 SIDED  
 WINDOW DECAL



140283  
 AUTOMATIC DOOR CAUTION

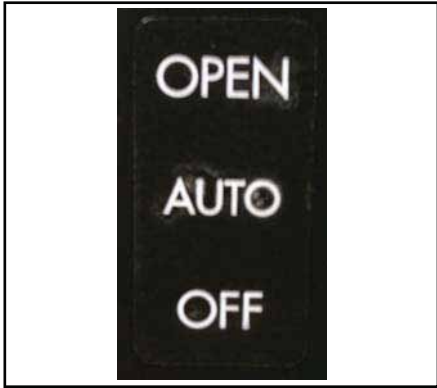


US801921  
 1201 - INSTALLATION DECAL  
 PACKAGE (SINGLE APPLICATION)



US801922  
 1201 - INSTALLATION DECAL  
 PACKAGE (PAIR APPLICATION)

★★★★★  
**TORMAX**  
 AUTOMATIC



US800444  
 OPEN/AUTO/OFF  
 LABEL FOR SWITCH



390.9359  
 TORMAX LOGO DECAL



US800865  
 1102 - LE SAFETY CHECK DECAL  
 140407  
 1201 - AUTOMATIC SWING DOOR  
 SAFETY CHECK DECAL



US801919  
 1102 - INSTALLATION  
 & DECAL PACKAGE  
 (SINGLE APPLICATION)



US801920  
 1102 - INSTALLATION  
 & DECAL PACKAGE  
 (PAIR APPLICATION)



140291  
 DECAL PUSH/PULL TO OPERATE



140290  
 DECAL PULL/PUSH TO OPERATE



40284  
 DECAL AUTOMATIC DOOR  
 ACTIVATE SWITCH TO OPERATE



US801204  
 ADA ACCESSIBLE DECAL