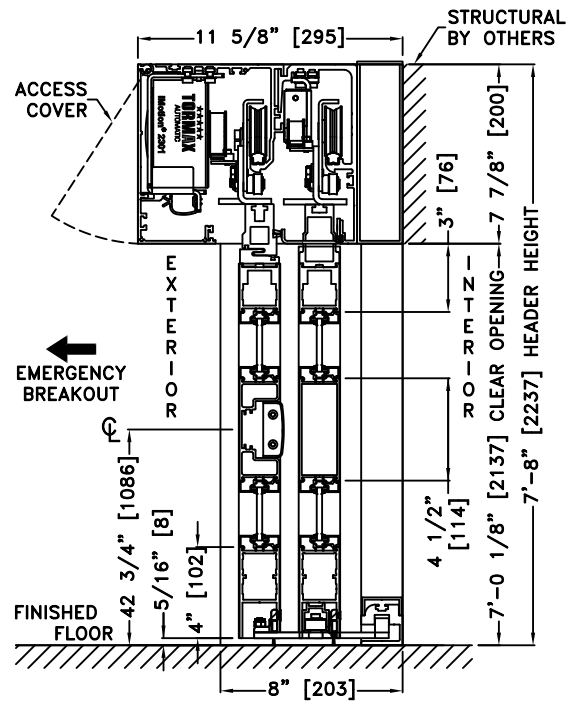
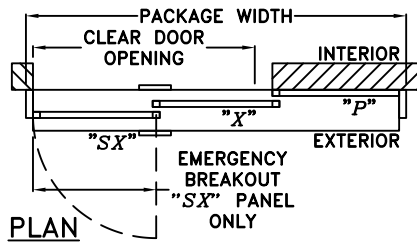
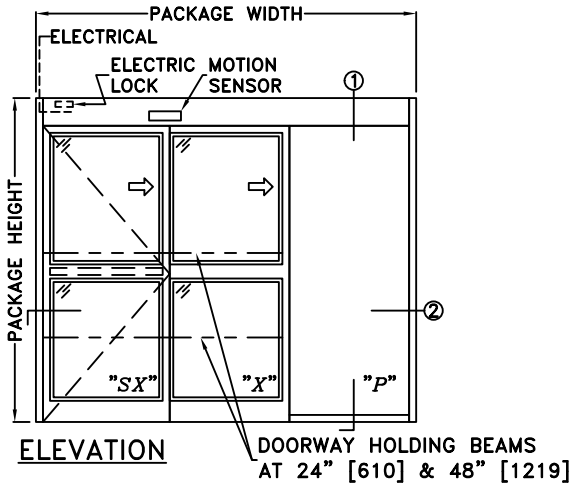
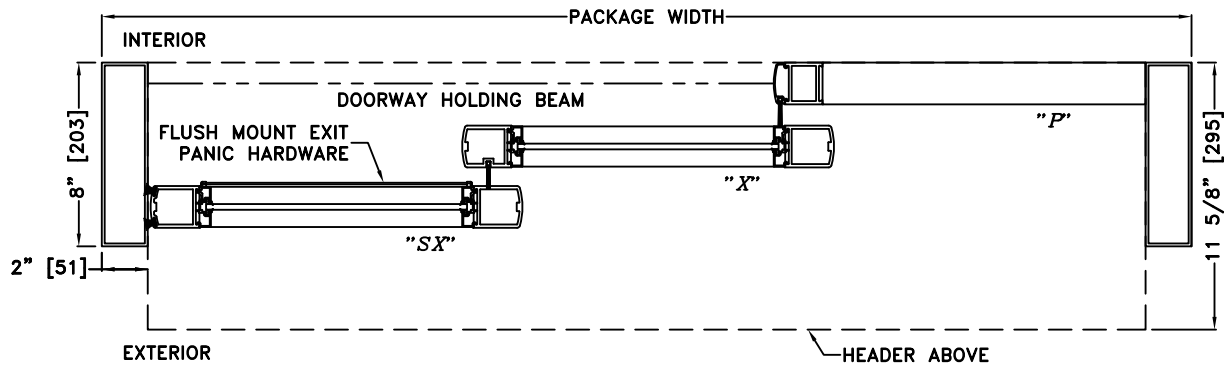


JOB NAME: \_\_\_\_\_ DATE: \_\_\_\_\_  
 DOOR LOCATION: \_\_\_\_\_ DOOR NO: \_\_\_\_\_ SHEET \_\_\_\_ OF \_\_\_\_



① VERTICAL SECTION



② HORIZONTAL SECTION

\*SEE APPENDIX FOR DETAILS OF HEAVY DUTY DRIVE SYSTEM, THRESHOLD OPTIONS, & SURFACE MOUNT CONCEALED VERTICAL ROD EXIT PANIC HARDWARE OPTION

NOTES:

1. DETAILS NOT TO SCALE
2. ELECTRICAL REQUIREMENTS:  
 120 VAC, 5 AMPS MIN. TO OPERATOR BY ELECTRICAL CONTRACTOR
3. DOOR PACKAGES ARE INDIVIDUALLY ENGINEERED TO FIT YOUR JOB REQUIREMENTS

SAMPLE PACKAGE WIDTH INFORMATION			
PACKAGE WIDTH [UW] (*)	CLEAR DOOR OPENING [CDO] (*)	PANEL WIDTH [PW] (*)	EMERGENCY BREAKOUT WIDTH (*)
$(1 \frac{1}{2}) * [CDO] + 14 \frac{1}{16}$	$(\frac{2}{3}) * [UW] - 9 \frac{3}{8}$ -OR- $2 * [PW] - 10 \frac{1}{8}$	$[UW] \frac{1}{3} + \frac{3}{8}$	$[UW] \frac{1}{3} - 2 \frac{1}{8}$ -OR- $[PW] - 2 \frac{1}{2}$
7'-0" [2134]	46 5/8" [1184]	28 3/8" [721]	25 7/8" [657]
8'-0" [2438]	54 5/8" [1387]	32 3/8" [822]	29 7/8" [759]
9'-0" [2743]	62 5/8" [1591]	36 3/8" [924]	33 7/8" [860]
(*) CALCULATIONS BASED ON EQUAL PANELS, 2 1/8" NARROW STILES, & 1/4" GLASS			