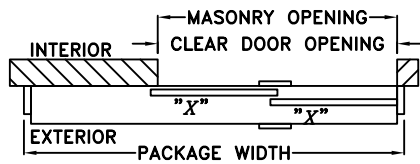
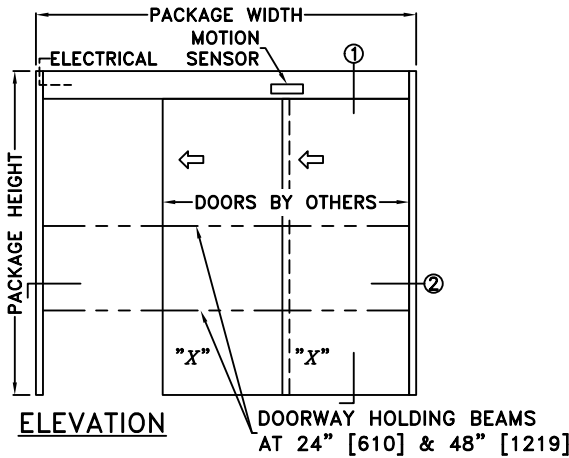
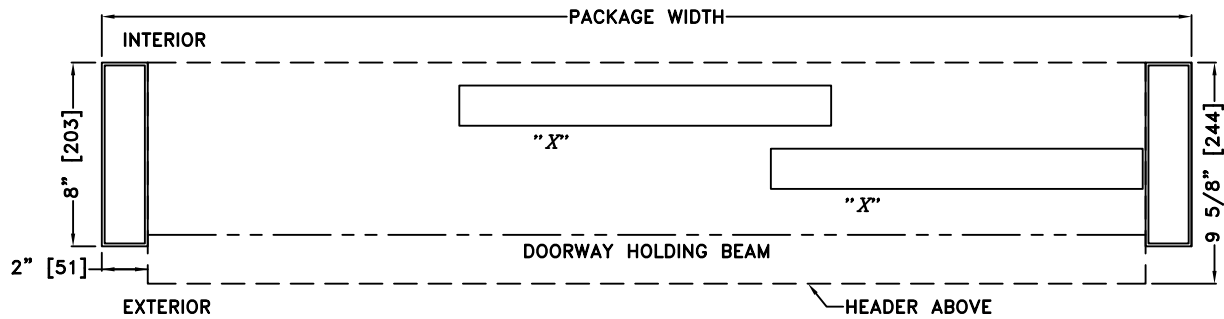
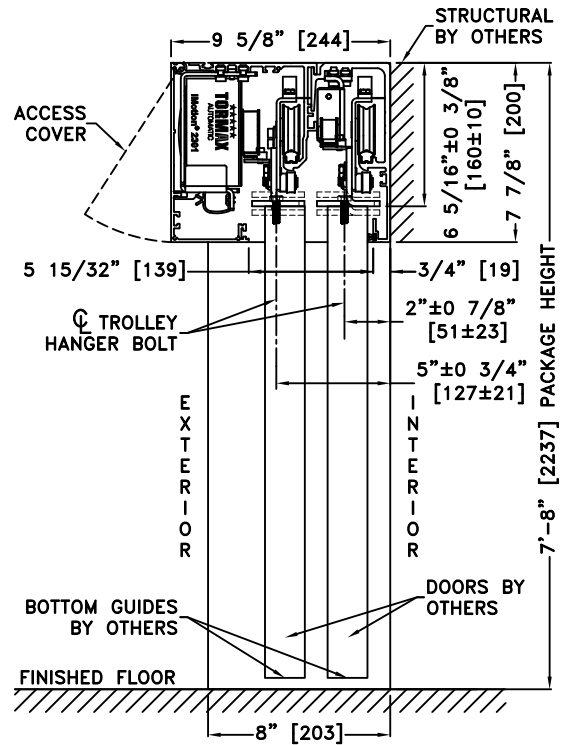


JOB NAME: \_\_\_\_\_ DATE: \_\_\_\_\_  
 DOOR LOCATION: \_\_\_\_\_ DOOR NO: \_\_\_\_\_ SHEET \_\_\_\_ OF \_\_\_\_



**PLAN**



**2 HORIZONTAL SECTION**

\*SEE APPENDIX FOR DETAILS OF HEAVY DUTY DRIVE SYSTEM AND THRESHOLD OPTIONS

**NOTES:**

1. DETAILS NOT TO SCALE
2. ELECTRICAL REQUIREMENTS:  
 120 VAC, 5 AMPS MIN. TO OPERATOR BY ELECTRICAL CONTRACTOR
3. DOOR PACKAGES ARE INDIVIDUALLY ENGINEERED TO FIT YOUR JOB REQUIREMENTS

SAMPLE PACKAGE WIDTH INFORMATION			
PACKAGE WIDTH [UW]	CLEAR DOOR OPENING [CDO]	PANEL WIDTH [PW]	EMERGENCY BREAKOUT WIDTH
$(1 \frac{1}{2}) * [CDO] + [OL] + 4$	$(\frac{2}{3}) * [UW] - (\frac{2}{3}) * [OL] - \frac{8}{3}$ -OR- $2 * [PW] - 2 * [OL]$	$[UW] / 3 + (\frac{2}{3}) * [OL] - \frac{4}{3}$	X
7'-0" [2134]	52" [1321] (*)	28" [711] (*)	
8'-0" [2438]	60" [1524] (*)	32" [813] (*)	
9'-0" [2743]	68" [1727] (*)	36" [914] (*)	
DIMENSIONS NOMINAL (*) CALCULATIONS BASED ON 2" OVERLAP [OL] & WITHOUT FINGERGUARD PROTECTION			