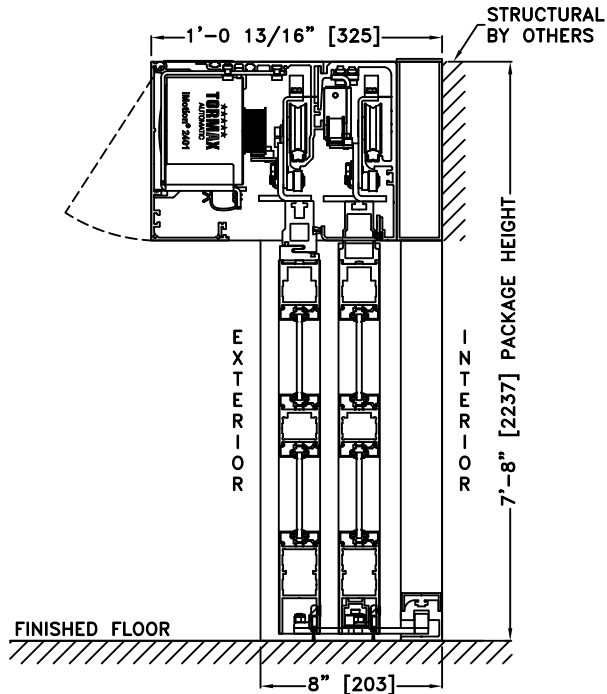
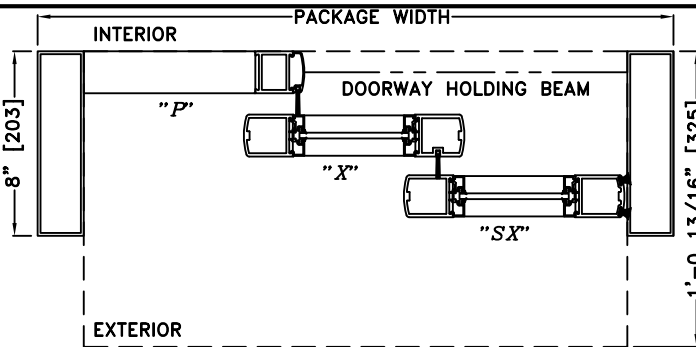


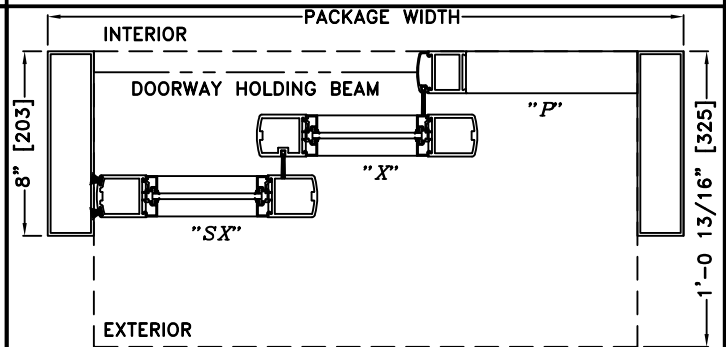
JOB NAME: _____ DATE: _____
 DOOR LOCATION: _____ DOOR NO: _____ SHEET ____ OF ____



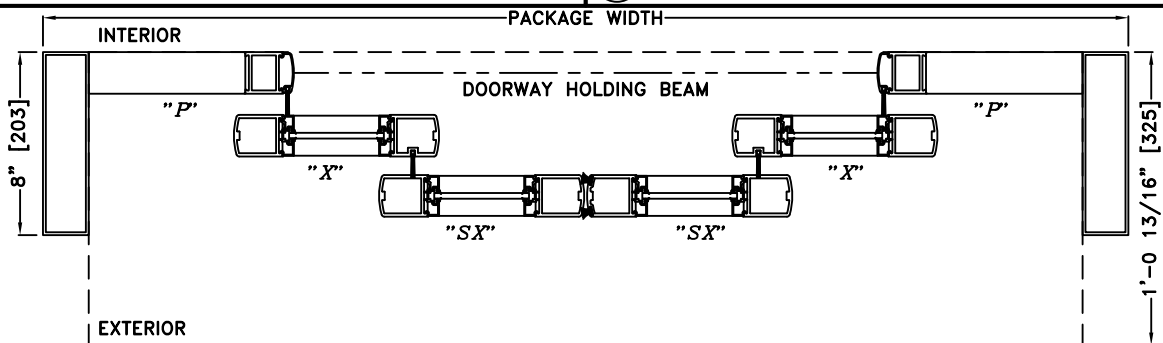
① VERTICAL SECTION WITHOUT TRANSOM



② HORIZONTAL SECTION - LH SINGLE SLIDE



② HORIZONTAL SECTION - RH SINGLE SLIDE



② HORIZONTAL SECTION - BIPART SLIDER