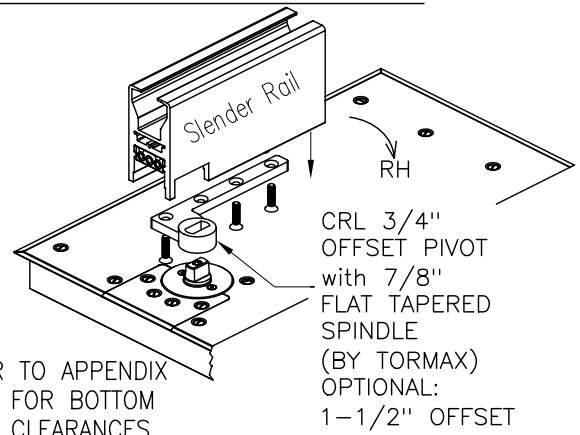
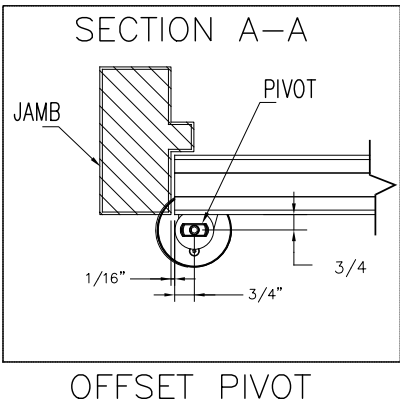
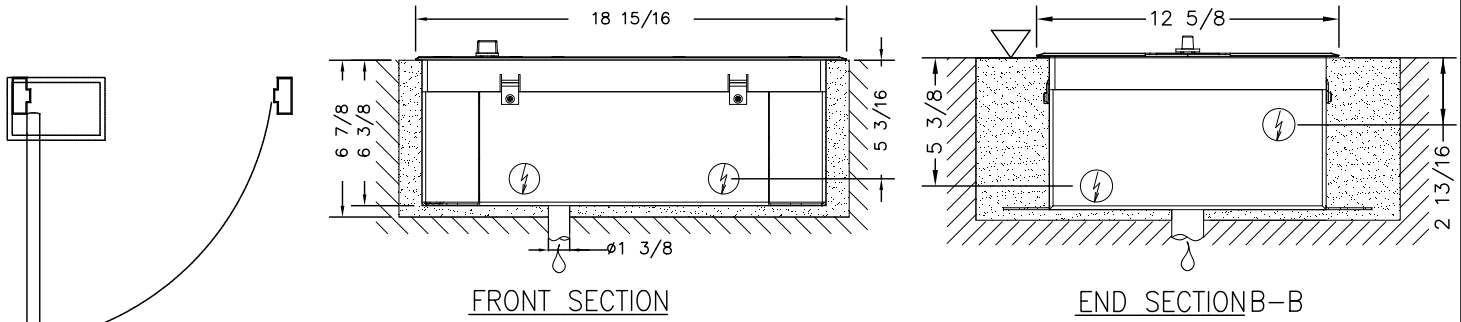
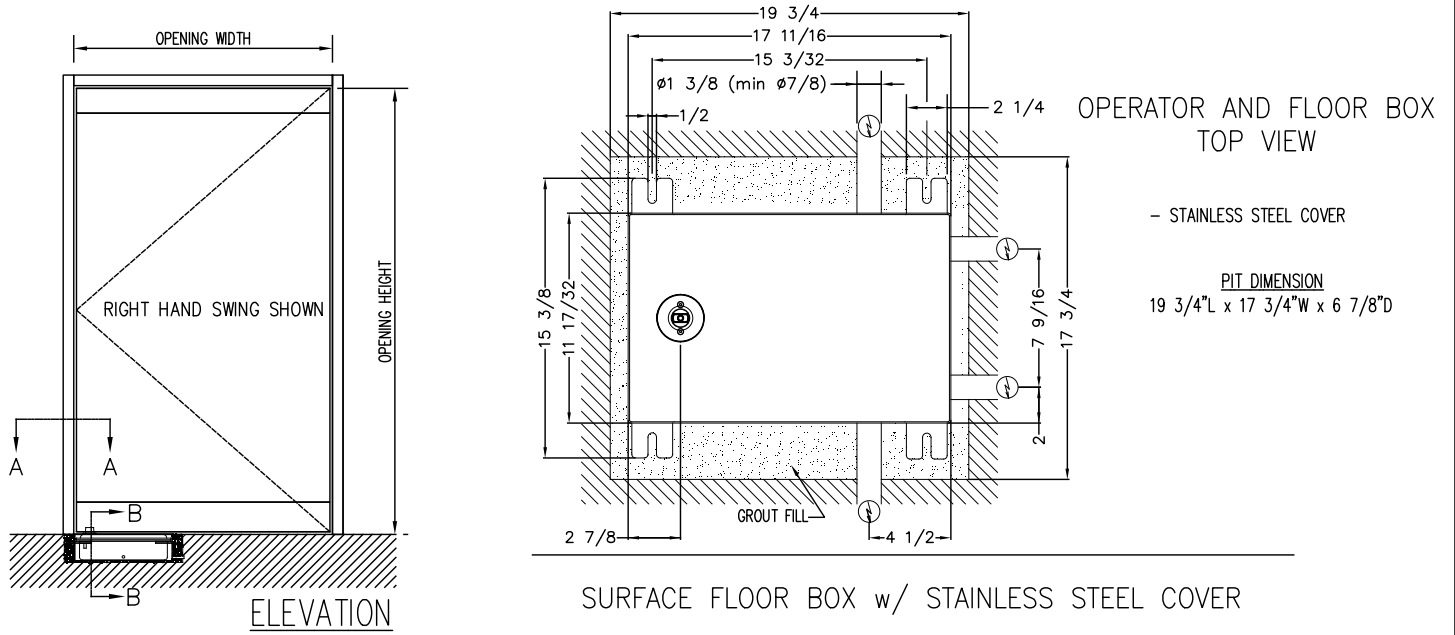


JOB NAME: \_\_\_\_\_ DATE: \_\_\_\_\_  
 DOOR LOCATION: \_\_\_\_\_ DOOR NO: \_\_\_\_\_ SHEET \_\_\_ OF \_\_\_



- ▽ Concrete or Finished Floor
- 💧 Weep Drain Required
- ⚡ Possible Electrical Feed

REFER TO APPENDIX  
 DWGS FOR BOTTOM  
 DOOR CLEARANCES,  
 RAIL PROFILES & PIVOTS

- NOTES:
1. DETAILS NOT TO SCALE.
  2. ELECTRICAL REQUIREMENTS:  
 120VAC, 15AMP MIN. TO EACH CONTROLLER LOCATED REMOTE FROM OPERATOR. LOW VOLTAGE CONDUIT RUN FROM EACH CONTROLLER TO OPERATOR BY ELECTRICAL CONTRACTOR.
  3. DOORS, FRAMES AND HARDWARE BY OTHERS. BOTTOM DOOR PIVOT BY TORMAX.
  4. 32" CLEAR DOOR OPENING REQUIRED TO MEET A.D.A. REQUIREMENTS.
  5. DOORS MUST BE NON-LATCHED FOR PROPER OPERATION.
  6. OPERATOR CAN BE CONFIGURED TO MEET ANSI STANDARDS A156.10 & ANSI A156.19