

APPENDIX

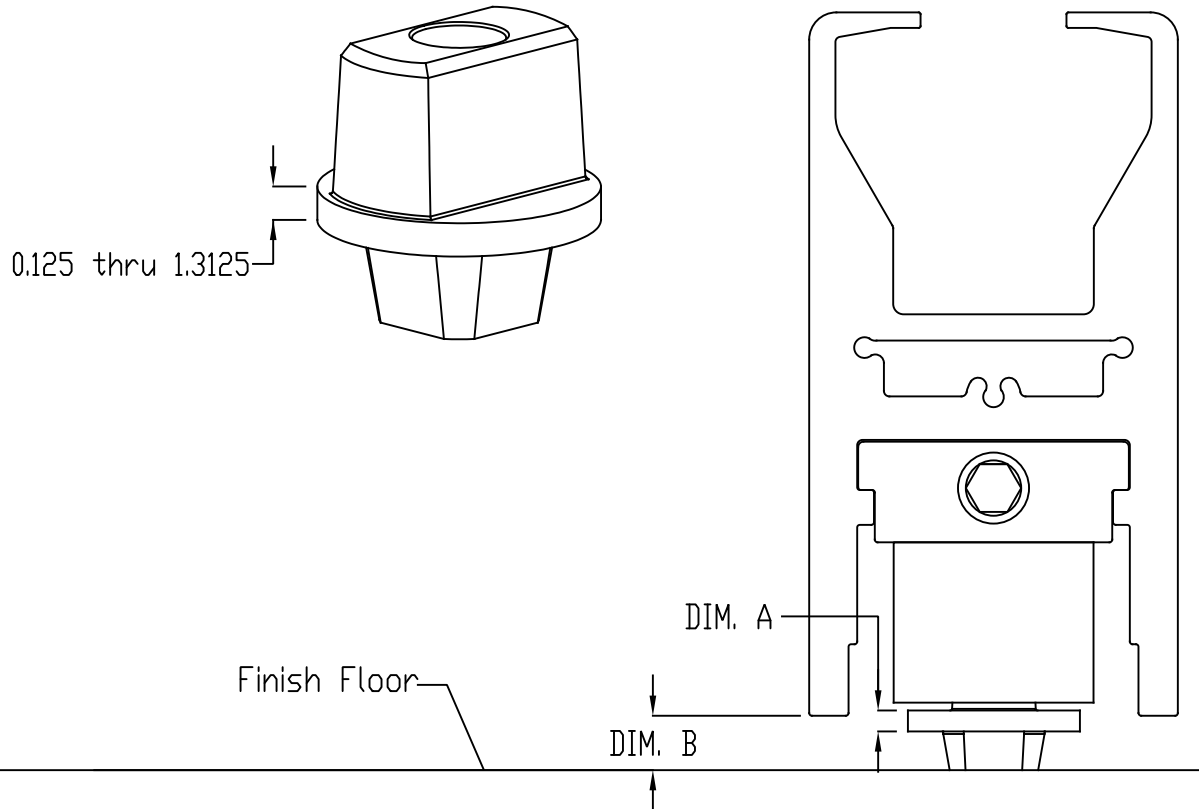


iMotion® TN 110 IN-FLOOR SWING DOOR DRIVE FOR SLENDER PROFILE DOOR RAILS

BOTTOM DOOR CLEARANCES

JOB NAME: _____ DATE: _____

DOOR LOCATION: _____ DOOR NO: _____ SHEET ___ OF ___



CRL PN	TORMAX PN	DIM. A	DIM. B	DESCRIPTION
CRL9040S3	US802354-0.125	0.125	0.3125	1/8" CRL FLAT TAPER SPINDLE
CRL9040S8	US802354-0.3125	0.3125	0.500	5/16" CRL FLAT TAPER SPINDLE
CRL9040S13	US802354-0.500	0.500	0.6875	1/2" CRL FLAT TAPER SPINDLE
CRL9040S18	US802354-0.750	0.750	0.9375	3/4" CRL FLAT TAPER SPINDLE
CRL9040S23	US802354-0.875	0.875	1.0625	7/8" CRL FLAT TAPER SPINDLE
CRL9040S28	US802354-1.125	1.125	1.3125	1 - 1/8" CRL FLAT TAPER SPINDLE
CRL9040S33	US802354-1.3125	1.3125	1.500	1 - 5/16" CRL FLAT TAPER SPINDLE

FOR USE WITH THE FOLLOWING CRL RAIL TYPES: ("ALL GLASS" DRS DOOR RAIL SYSTEM - 4", 6", & 10"), ENTICE SERIES, 2- 5/16" LOW PROFILE DOOR RAILS, SLENDER PROFILE, 2- 5/16" LOW PROFILE PATCH DOOR RAIL, 4" PATCH DOOR RAILS, NORTH AMERICAN & EUROPEAN PATCH DOOR KIT/ FITTING, & OFFSET BOTTOM DOOR PATCH FITTING