

JOB NAME: \_\_\_\_\_ DATE: \_\_\_\_\_

DOOR LOCATION: \_\_\_\_\_ DOOR NO: \_\_\_\_\_ SHEET \_\_\_\_ OF \_\_\_\_

**OPTIONAL EQUIPMENT**

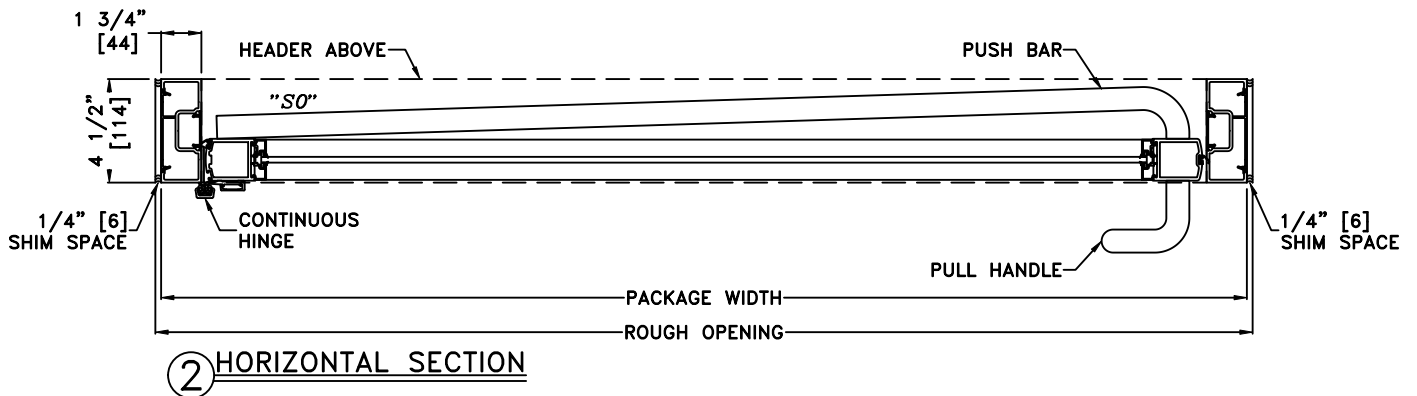
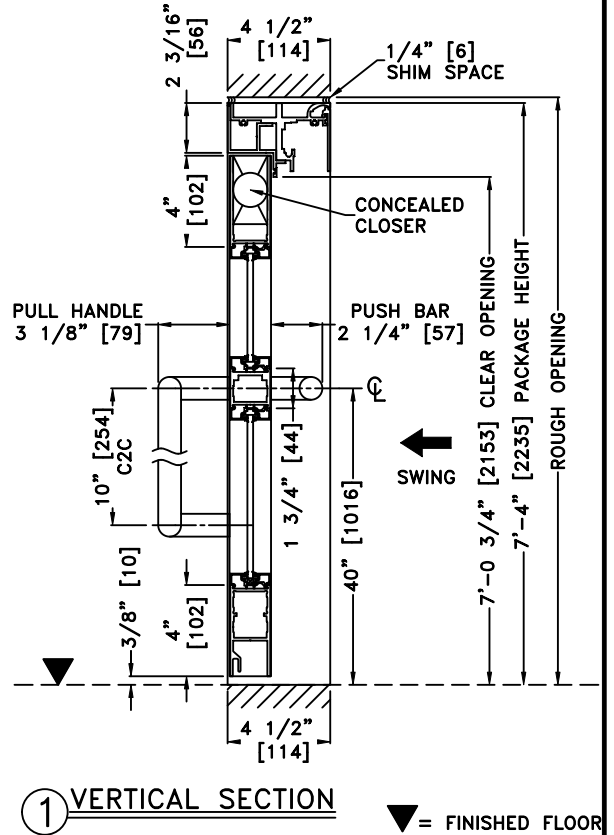
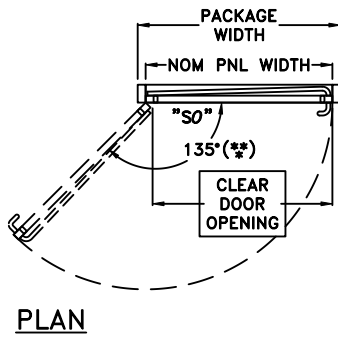
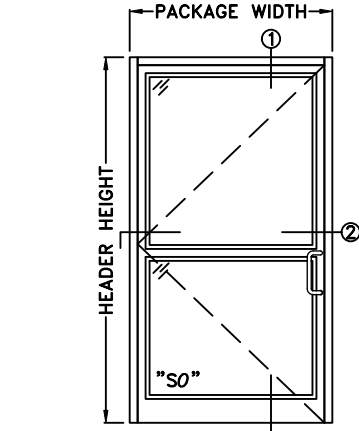
**MS LOCKING**

- \*  NONE
- STANDARD MORTISE KEY & THUMBTURN
- IC HOUSING/CORE (SMALL FORMAT)
- OTHER (SPECIFY): \_\_\_\_\_

**HANDLE TYPE**

- \*  PUSH/PULL BAR
- OTHER (SPECIFY): \_\_\_\_\_

\*DEFAULT OPTION



(\*\*) 135° NARROW STILES / 130° MEDIUM STILE

NOTES:  
 1. DETAILS NOT TO SCALE  
 2. DOOR PACKAGES ARE INDIVIDUALLY ENGINEERED TO FIT YOUR JOB REQUIREMENTS

SAMPLE PACKAGE WIDTH INFORMATION			
PACKAGE WIDTH	NOMINAL CLEAR DOOR OPENING	NOMINAL PANEL WIDTH	ROUGH OPENING
39 1/2" [1003]	33 9/16" [852]	36" [914]	40" [1016]
45 1/2" [1156]	39 9/16" [1005]	42" [1067]	46" [1168]
47 1/2" [1207]	41 9/16" [1056]	44" [1118]	48" [1219]
51 1/2" [1308]	45 9/16" [1157]	48" [1219]	52" [1321]