



General Contractors

Tormax iMotion[®]
TN 110 In-Floor Swing Door Drive
For Slender Profile Door Rails

Installation/Facilitation Guidelines

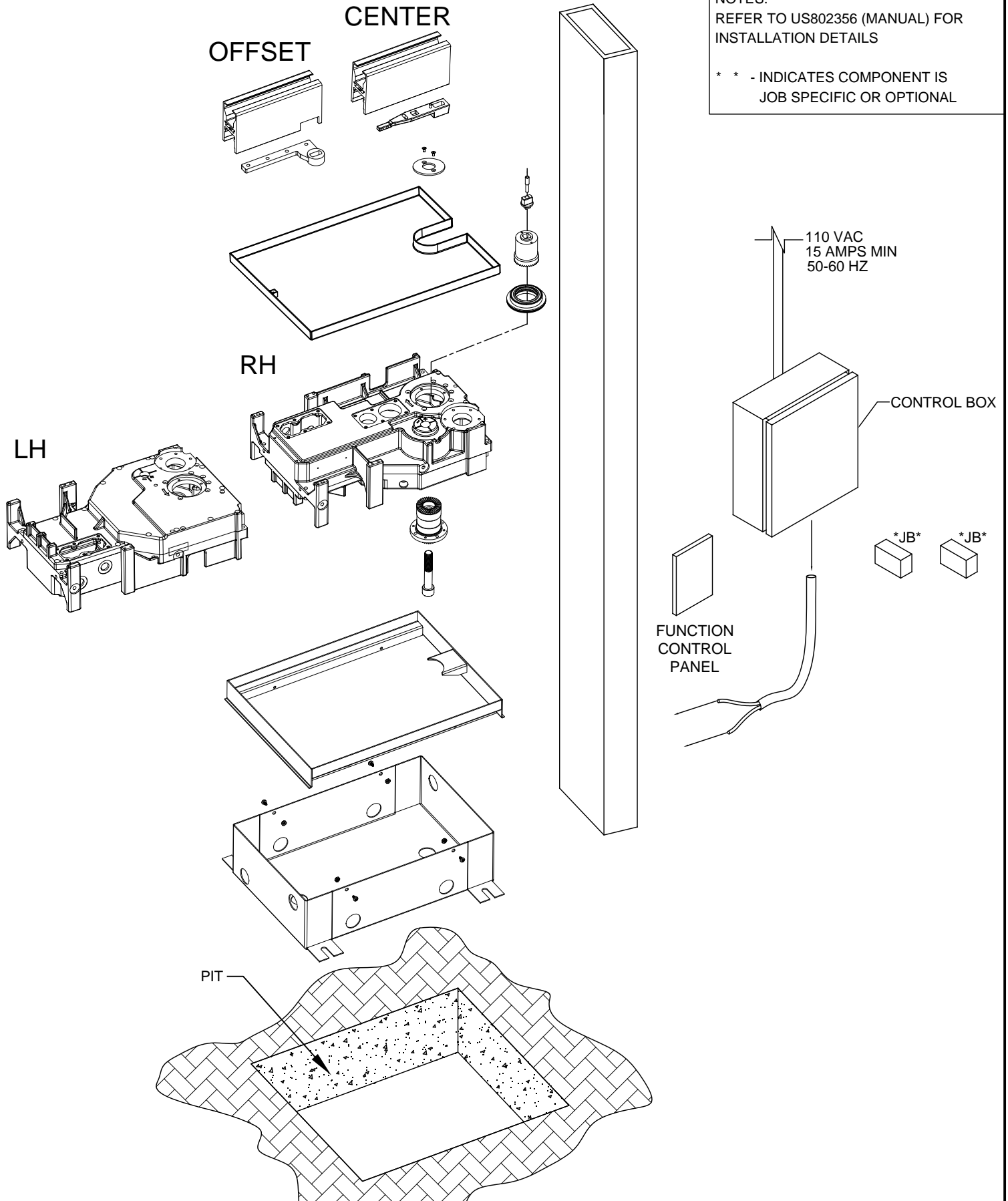
Center & Offset Pivot Application
- Flush Mount - Terrazzo Pan

Table of Contents

<i>Assembly/Installation</i>	<i>1</i>
<i>Electrical</i>	<i>2-3</i>
<i>Pit Preparation</i>	<i>4</i>

NOTES:
 REFER TO US802356 (MANUAL) FOR
 INSTALLATION DETAILS

* * - INDICATES COMPONENT IS
 JOB SPECIFIC OR OPTIONAL





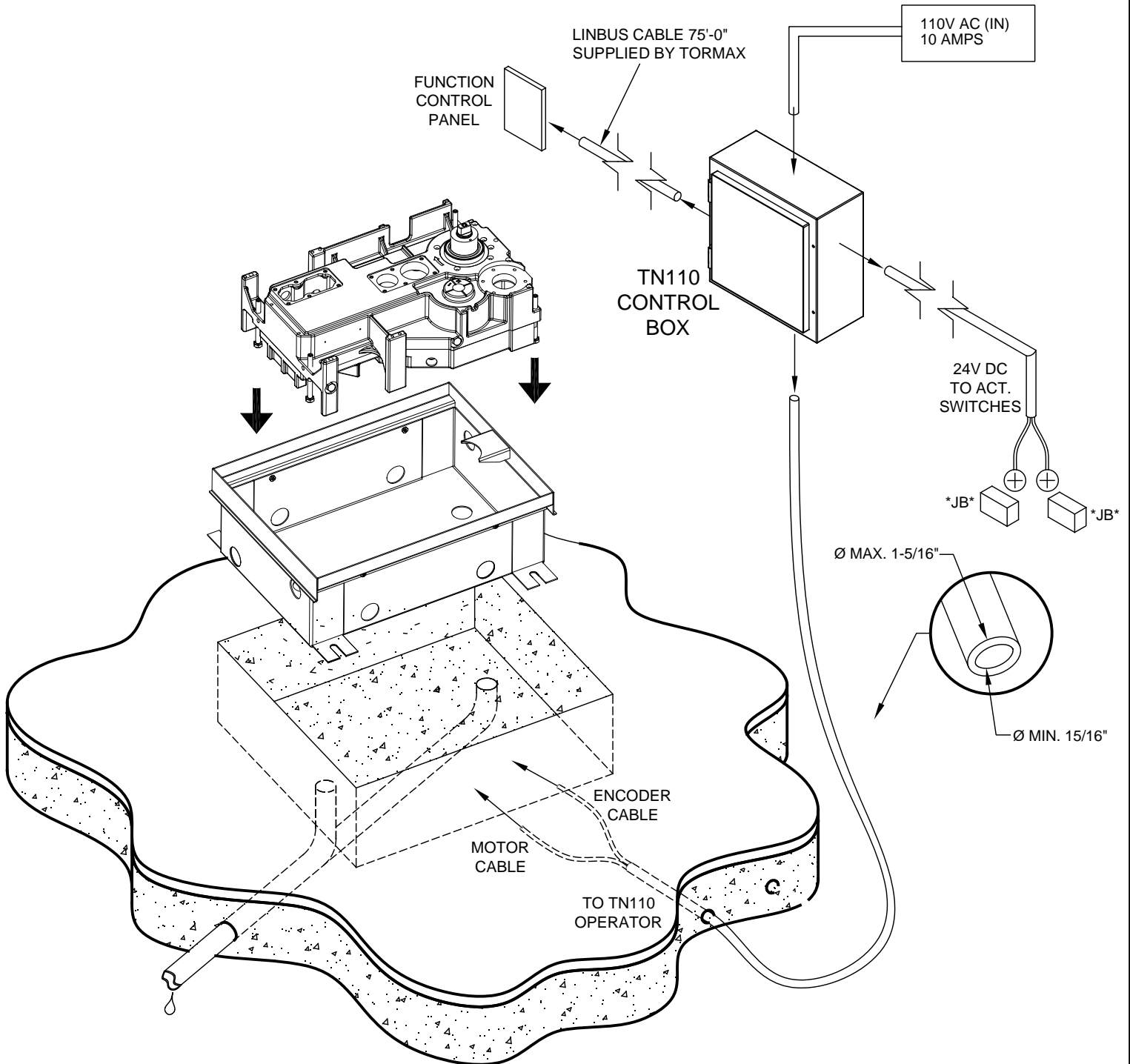
ELECTRICAL DETAILS

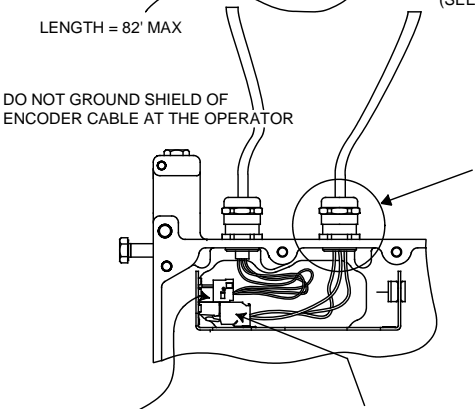
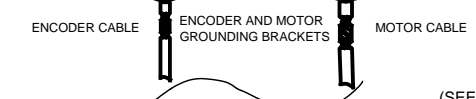
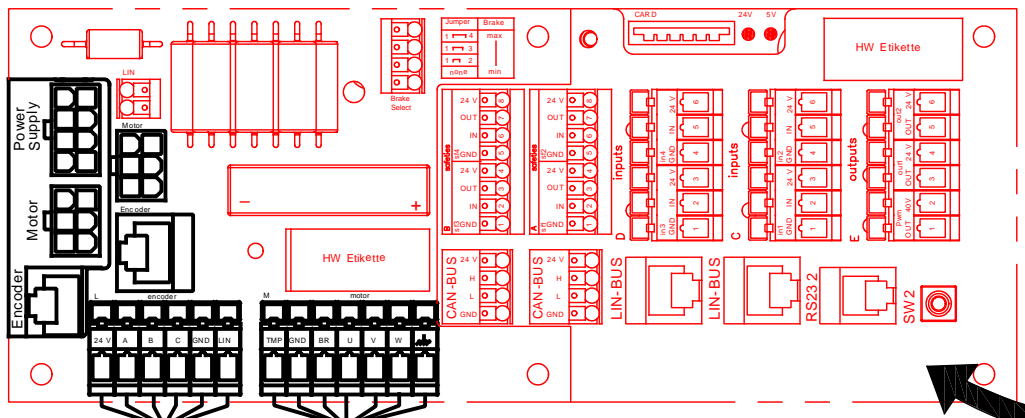
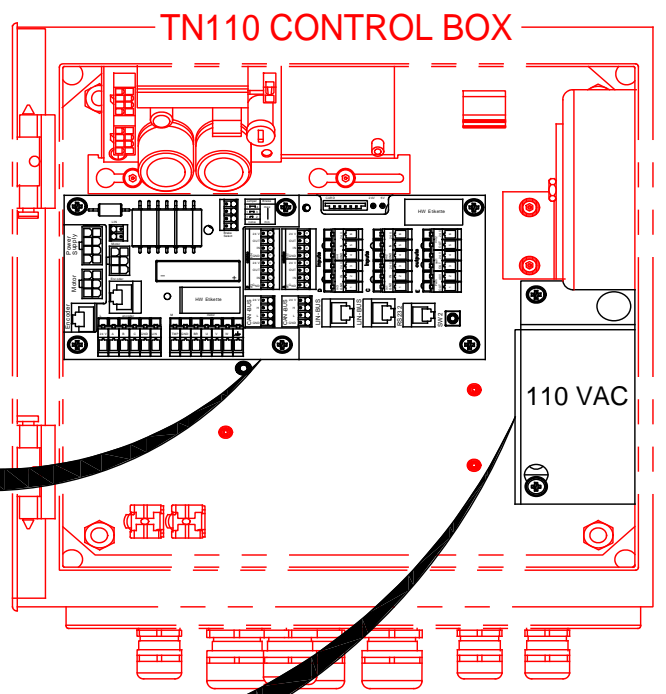
NOTES:

- (1) " * " INDICATES JOB SPECIFIC. CONSULT GC FOR FURTHER DETAILS.
- (2) REF NEXT PAGE (ELECTRICAL DETAILS, SHT 3) FOR WIRING DETAILS.
- (3) REF TN110 OPERATION MANUAL (P/N: US801461) FOR ADDITIONAL INFORMATION.
- (4) INSTALLATION AND WIRING PRACTICES MUST COMPLY WITH LOCAL CODES.

KEY

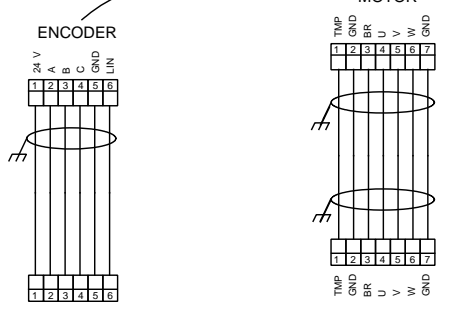
-  ACCESSIBLE HOLE FOR WIRING
-  NOT ACCESSIBLE





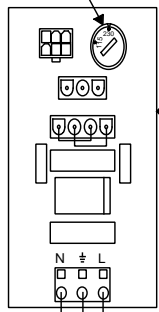
(SEE CABLE PLAN FOR CONDUIT SPECIFICATIONS)

CHECK CORRECT POSITION OF VOLTAGE SELECTOR

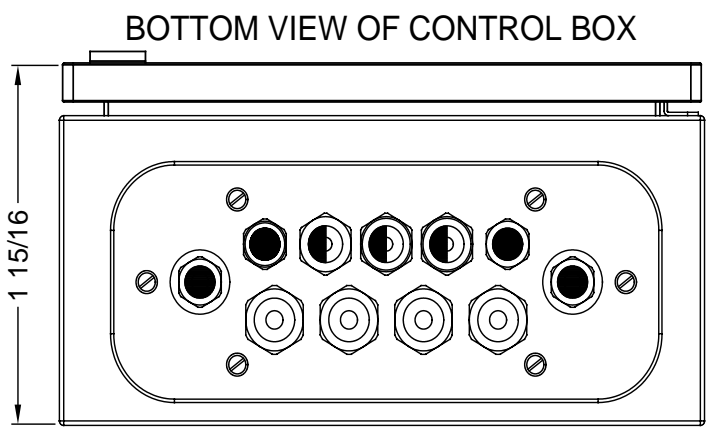


PN: US801378
20 AWG, SHIELDED,
6 CONDUCTOR, STRANDED WIRE.
MAX 82'

PN: US801379
14 AWG, SHIELDED,
7 CONDUCTOR, STRANDED WIRE
MAX 82'



• 115V_{AC}
(108-125 V)
• 230V_{AC}
(198-264 V)
50/60 Hz
15 A MIN



- CABLE Ø 5/16"
 - CABLE Ø 11/32"
 - CABLE Ø 15/32"
 - CABLE Ø 1 5/16"
- | |
|------------|
| 22 / 24 mm |
| 24 / 27 mm |
| 27 / 30 mm |




PIT PREPARATION DETAILS

NOTES:

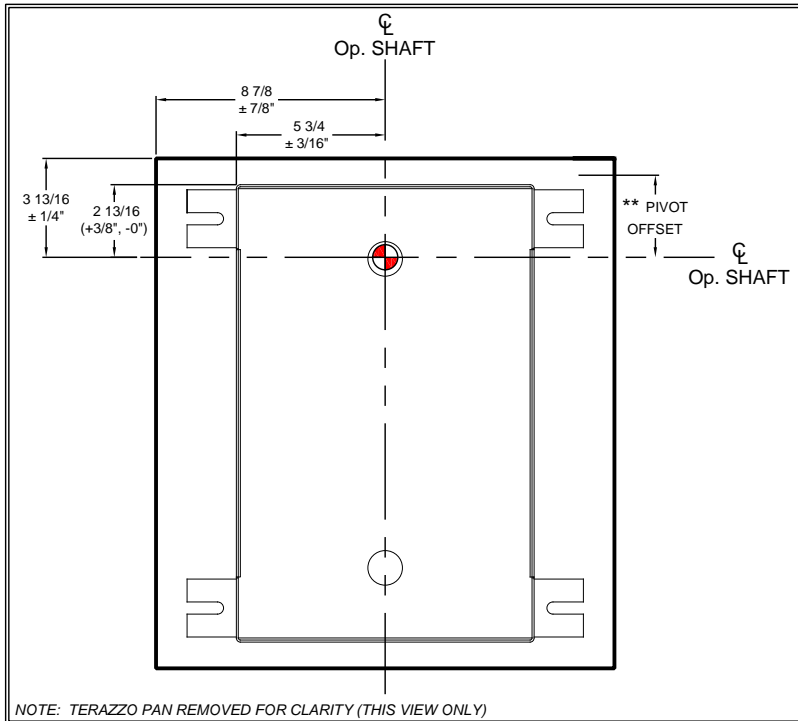
- (1) ENSURE PROVISIONS FOR WEEP DRAIN AND ELECTRICAL WIRING HAVE BEEN MADE PRIOR TO FILLING THE PIT WITH MORTAR.
- (2) WEEP DRAIN MUST BE INSTALLED OR MANUFACTURER'S WARRANTY WILL BE VOID.
- (3) WEEP DRAIN HARDWARE TO BE PROVIDED BY GC. WEEP DRAIN INSTALLATION & LOCATION OF TERMINATION MUST COMPLY WITH CITY AND/OR STATE CODES.

** JOB SPECIFIC DIMENSION

KEY

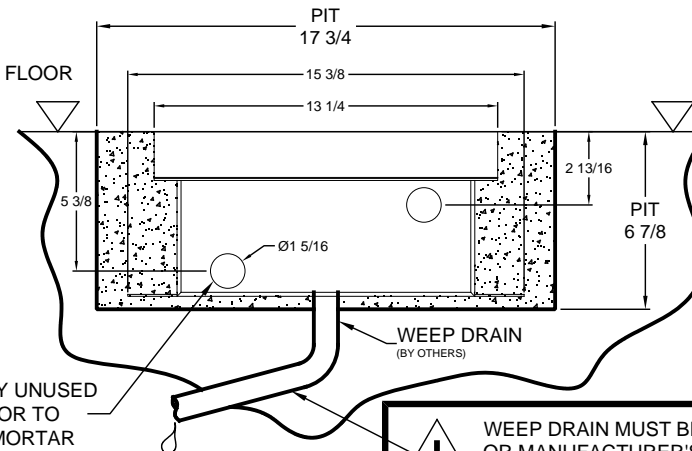
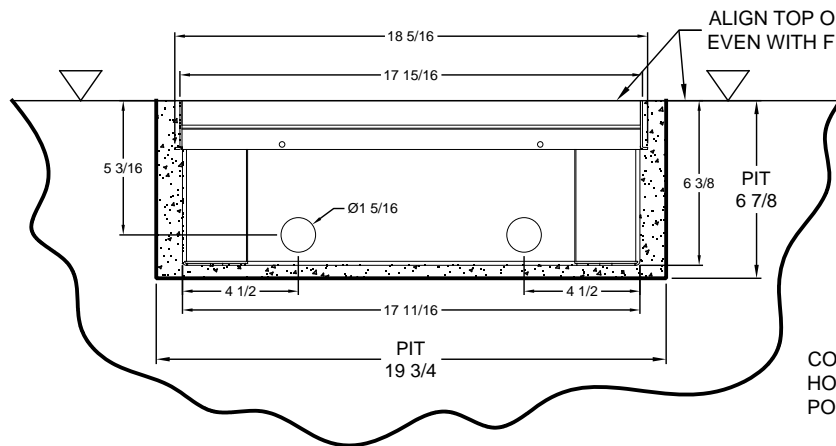
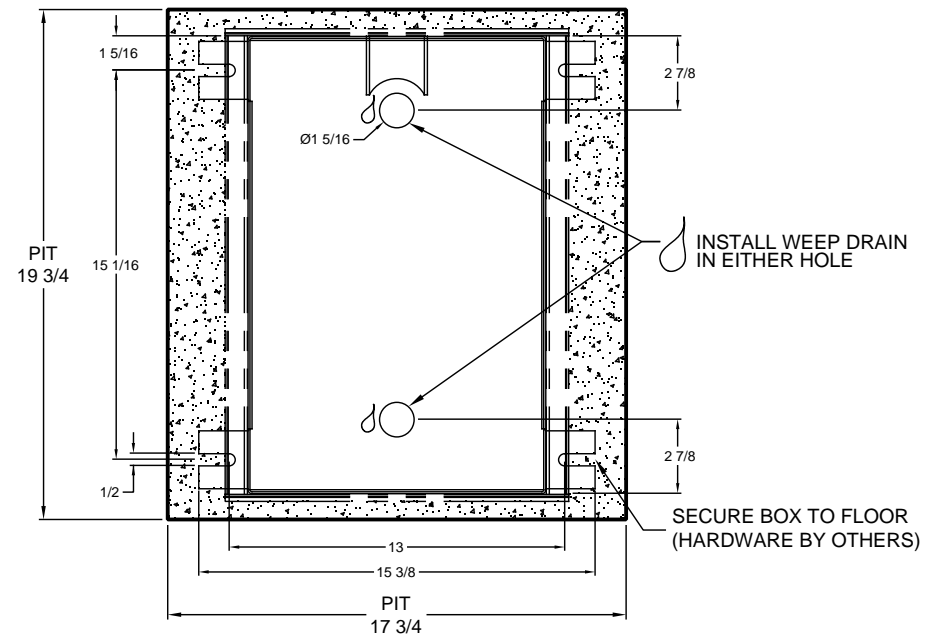
-  FINISHED FLOOR
-  POSSIBLE WEEP DRAIN
-  OPERATOR SHAFT

BOX / OPERATOR LOCATION TOLERANCES



PIT DIMENSIONS

19-3/4"L x 17-3/4"W x 6-7/8"D



WEEP DRAIN MUST BE INSTALLED OR MANUFACTURER'S WARRANTY WILL BE VOID.