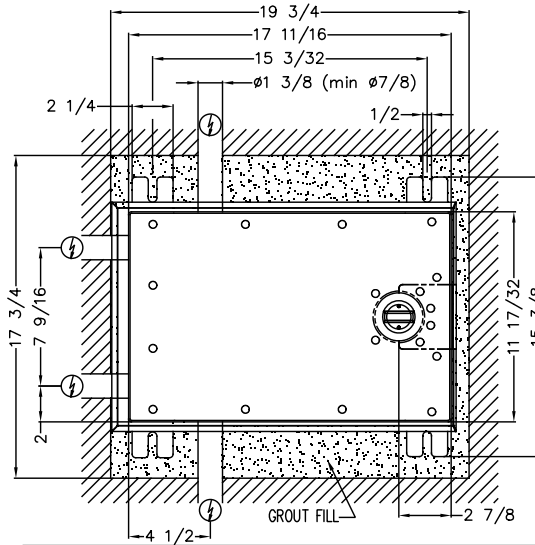
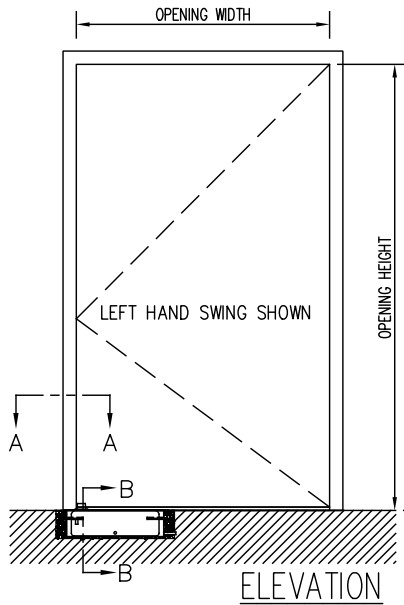


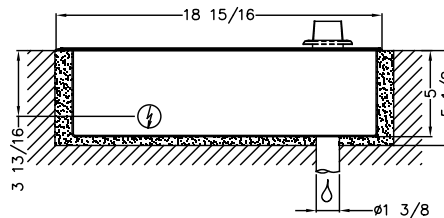
JOB NAME: \_\_\_\_\_ DATE: \_\_\_\_\_  
 DOOR LOCATION: \_\_\_\_\_ DOOR NO: \_\_\_\_\_ SHEET \_\_\_ OF \_\_\_



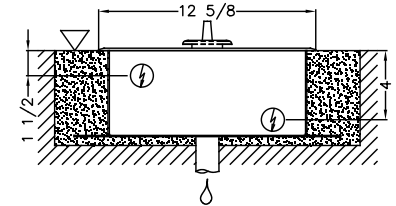
OPERATOR AND FLOOR BOX  
 TOP VIEW

- OPTION A
- STANDARD LENGTH SHAFT
  - STAINLESS STEEL COVER
- PIT DIMENSION  
 19 3/4"L x 17 3/4"W x 5 1/2"D

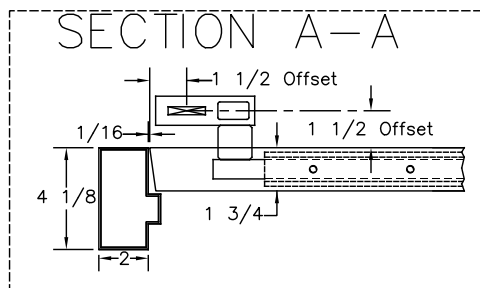
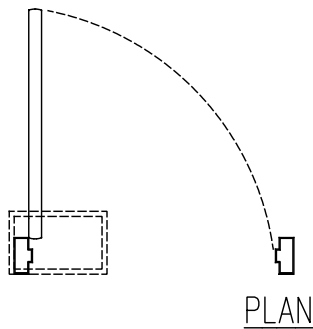
FLOOR BOX - OPTION A



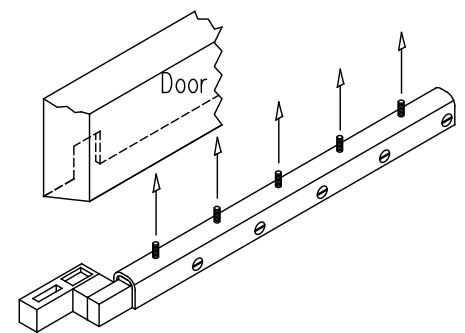
FRONT SECTION



END SECTION B-B



SECTION A-A  
 OFFSET PIVOT



OFFSET PIVOT

- ▽ Concrete or Finished Floor
- ⊕ Weep Drain Required
- ⚡ Possible Electrical Feed

NOTES:

1. DETAILS NOT TO SCALE.
2. ELECTRICAL REQUIREMENTS:  
 120VAC, 15AMP MIN. TO EACH CONTROLLER LOCATED REMOTE FROM OPERATOR. LOW VOLTAGE CONDUIT RUN FROM EACH CONTROLLER TO OPERATOR BY ELECTRICAL CONTRACTOR.
3. DOORS, FRAMES AND HARDWARE BY OTHERS.
4. 32" CLEAR DOOR OPENING REQUIRED TO MEET A.D.A. REQUIREMENTS.
5. DOORS MUST BE NON-LATCHED FOR PROPER OPERATION.
6. OPERATOR CAN BE CONFIGURED TO MEET ANSI STANDARDS A156.10 & ANSI A156.19

REFER TO THRESHOLD DETAIL DRAWING  
 FOR DISTANCE FROM BOTTOM OF DOOR  
 SHOE TO FINISHED FLOOR