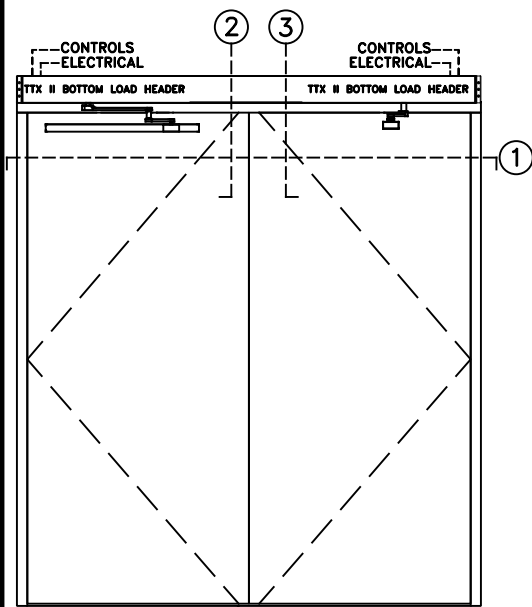


TTX II LOW ENERGY SWING DOOR OPERATOR

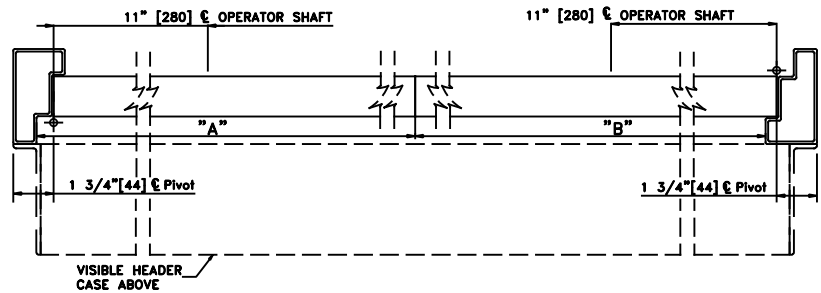
BOTTOM LOAD, DOUBLE EGRESS W/CONTINUOUS HEADER, VISIBLE R.H. INSWING, R.H. OUTSWING, BUTT HUNG AND OFFSET PIVOT APPLICATION

JOB NAME: _____ DATE: _____

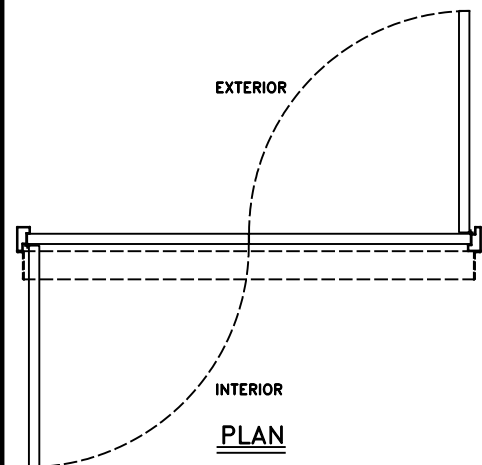
DOOR LOCATION: _____ DOOR NO: _____ SHEET _____ OF _____



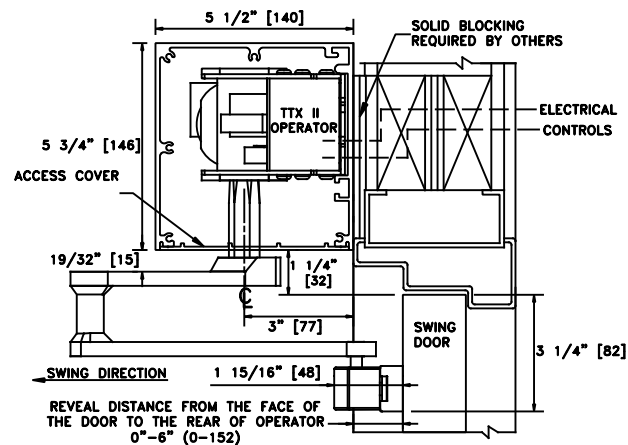
ELEVATION



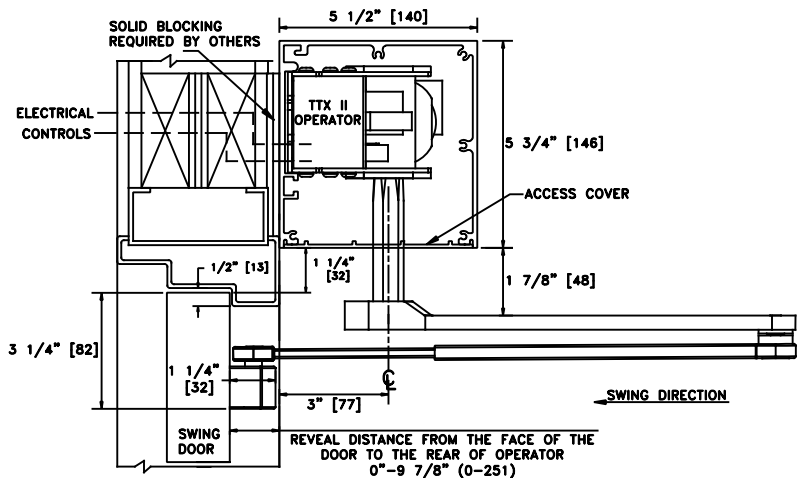
① HORIZONTAL SECTION



PLAN



② VERTICAL SECTION "A"



③ VERTICAL SECTION "B"

- NOTES:
1. DETAILS NOT TO SCALE.
 2. ELECTRICAL REQUIREMENTS: 120VAC, 5AMPS MIN. TO OPERATOR BY ELECTRICAL CONTRACTOR.
 3. DOORS, FRAMES AND HARDWARE BY OTHERS.
 4. 32" CLEAR DOOR OPENING REQUIRED TO MEET A.D.A. REQUIREMENTS.
 5. DOORS MUST BE NON-LATCHED FOR PROPER OPERATION.
 6. OPERATOR HEADER IS AVAILABLE FOR FULL WIDTH DOOR APPLICATIONS.