

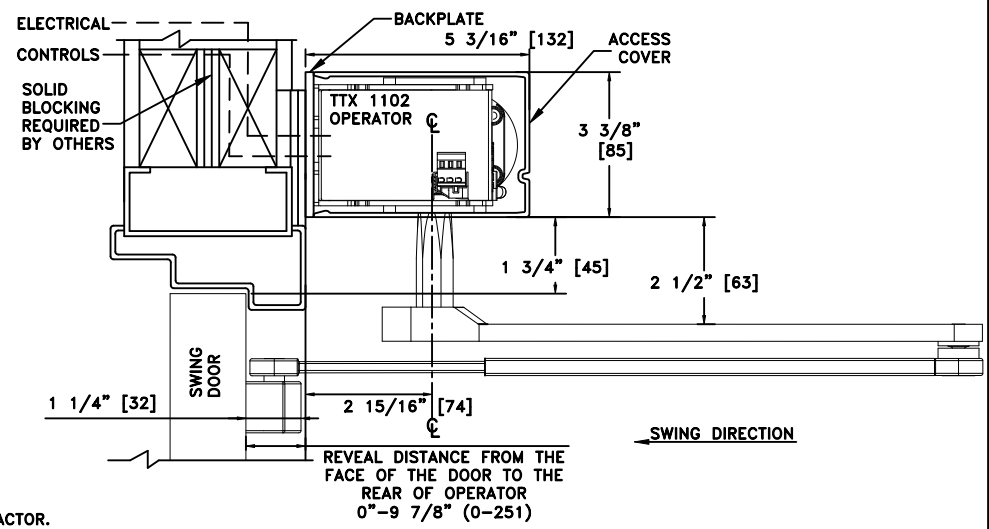
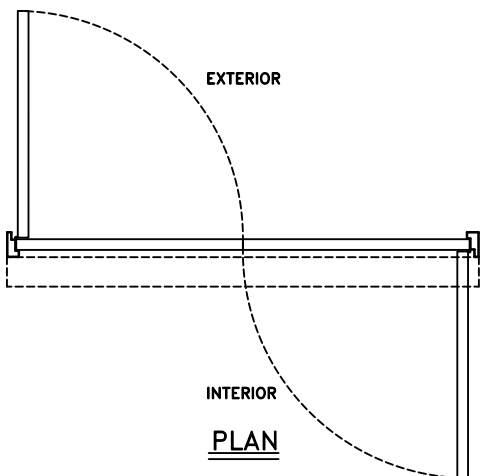
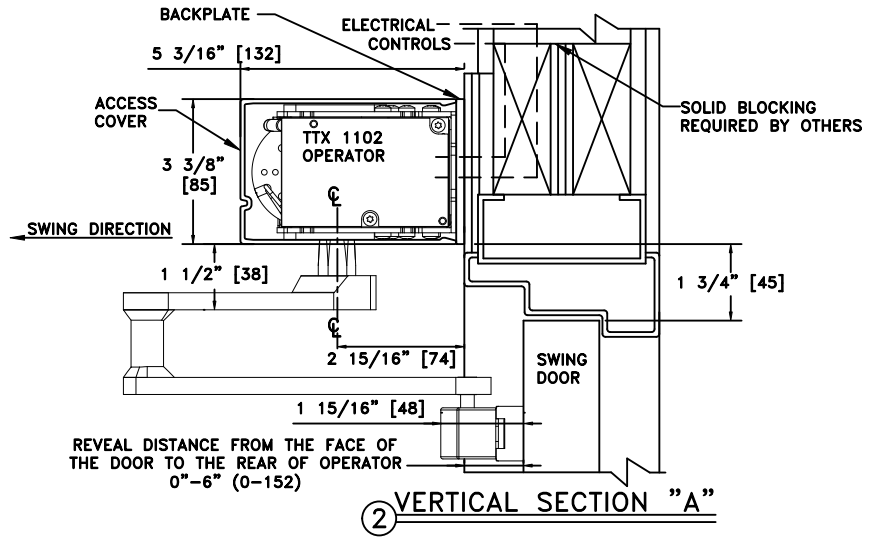
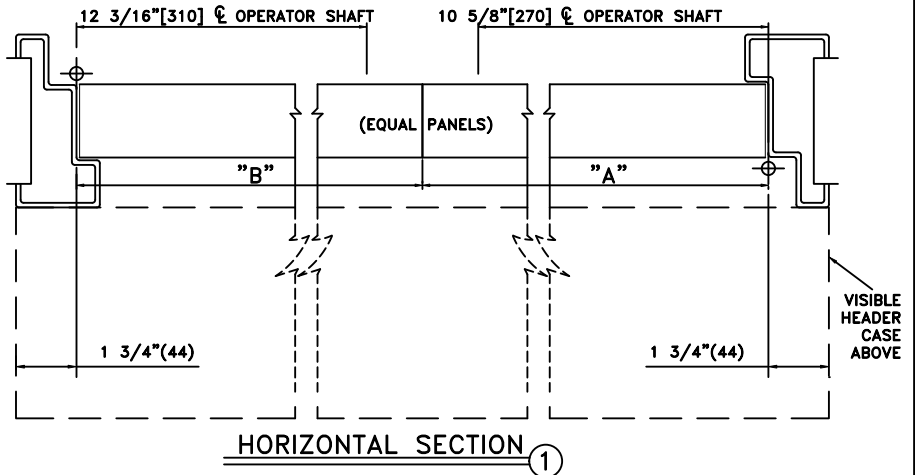
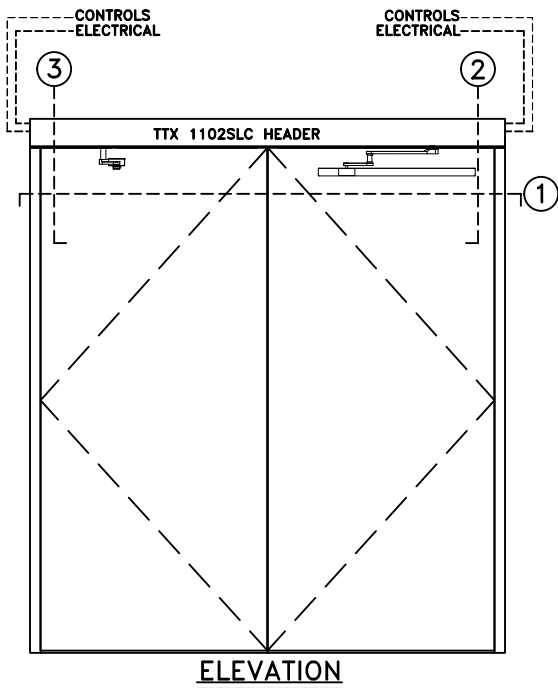


# TTX 1102SLC LOW ENERGY SWING DOOR OPERATOR

DOUBLE EGRESS W/CONTINUOUS SLIM LINE HEADER, VISIBLE L.H. INSWING, L.H. OUTSWING, BUTT HUNG AND OFFSET PIVOT APPLICATION

JOB NAME: \_\_\_\_\_ DATE: \_\_\_\_\_

DOOR LOCATION: \_\_\_\_\_ DOOR NO: \_\_\_\_\_ SHEET \_\_\_\_\_ OF \_\_\_\_\_



- NOTES:**
1. DETAILS NOT TO SCALE.
  2. ELECTRICAL REQUIREMENTS:  
120VAC, 5AMPS MIN. TO OPERATOR BY ELECTRICAL CONTRACTOR.
  3. DOORS, FRAMES AND HARDWARE BY OTHERS.
  4. 32" CLEAR DOOR OPENING REQUIRED TO MEET A.D.A. REQUIREMENTS.
  5. DOORS MUST BE NON-LATCHED FOR PROPER OPERATION.