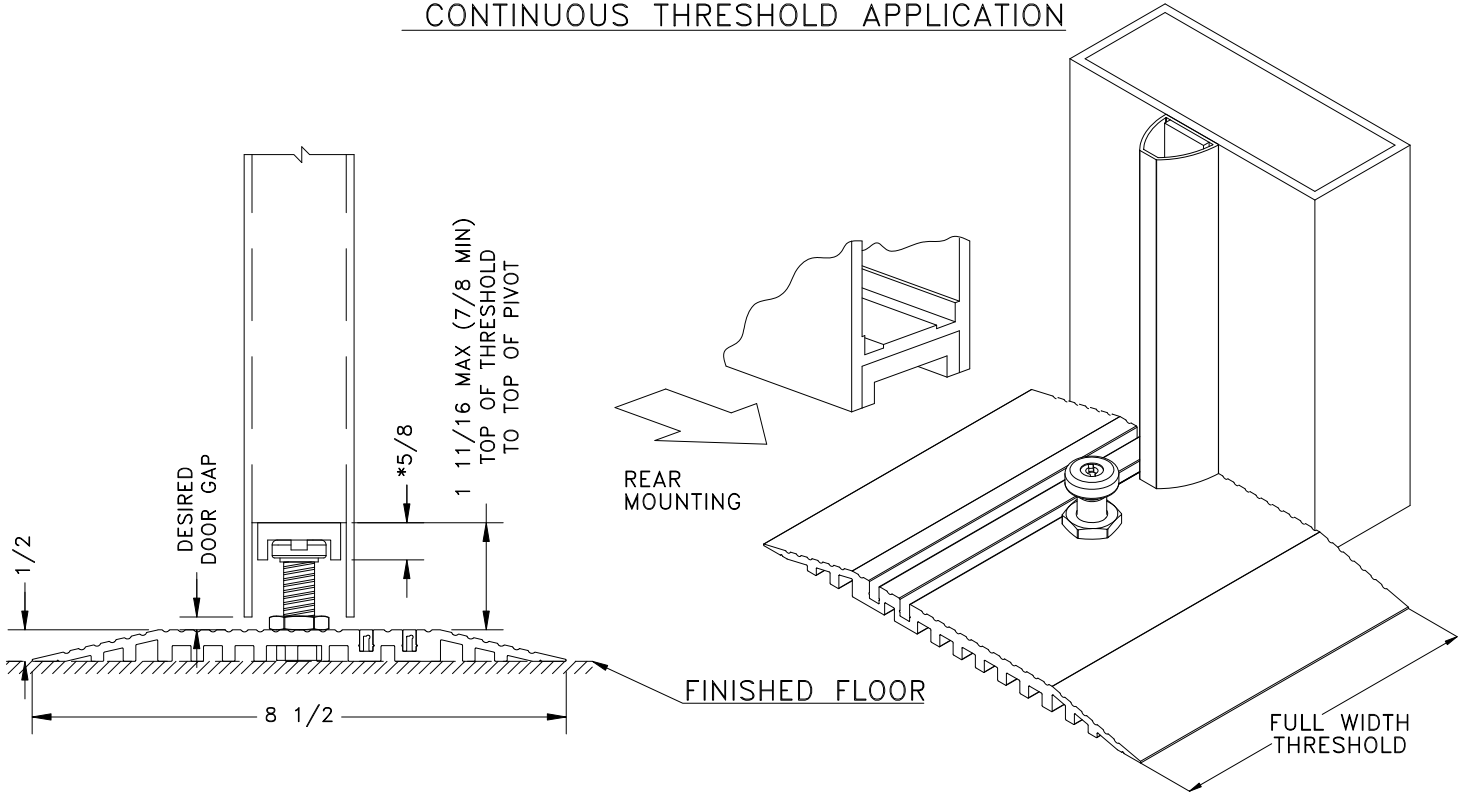


JOB NAME: _____ DATE: _____

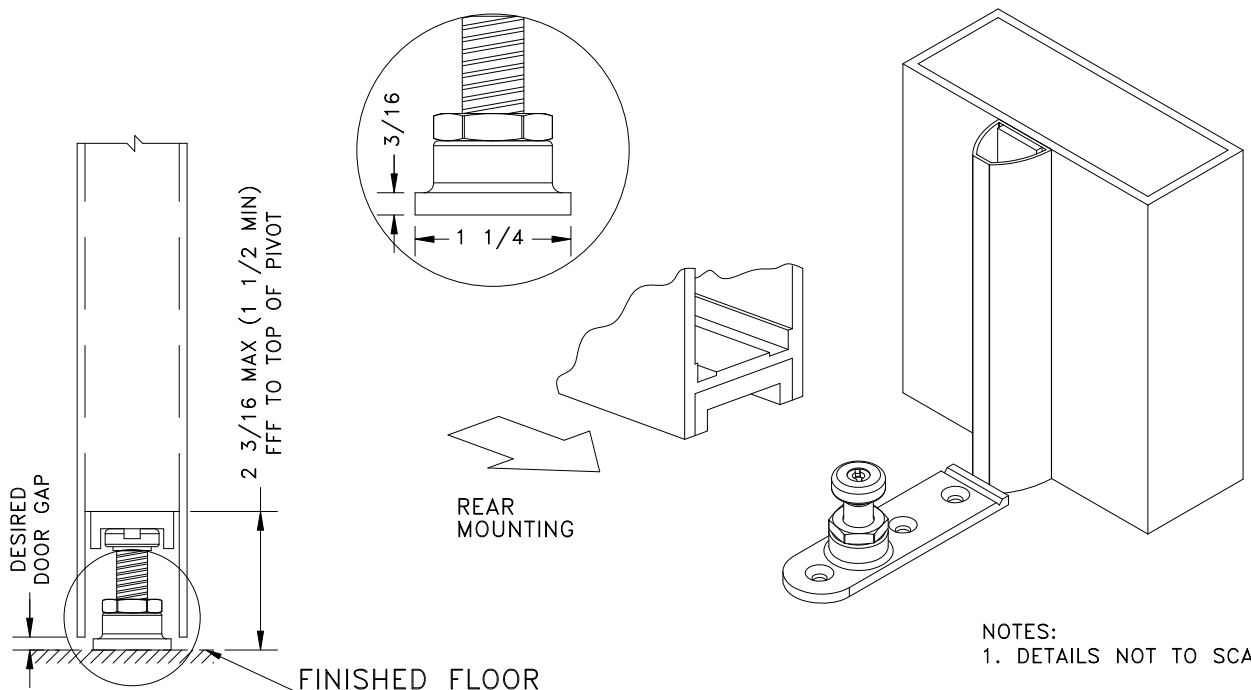
DOOR LOCATION: _____ DOOR NO: _____ SHEET ___ OF ___

CONTINUOUS THRESHOLD APPLICATION



NOTES:
 *MINIMUM 5/8" WEB DEPTH TO
 CONCEAL DOOR PIVOT ARM

NON-THRESHOLD APPLICATION



NOTES:
 1. DETAILS NOT TO SCALE.