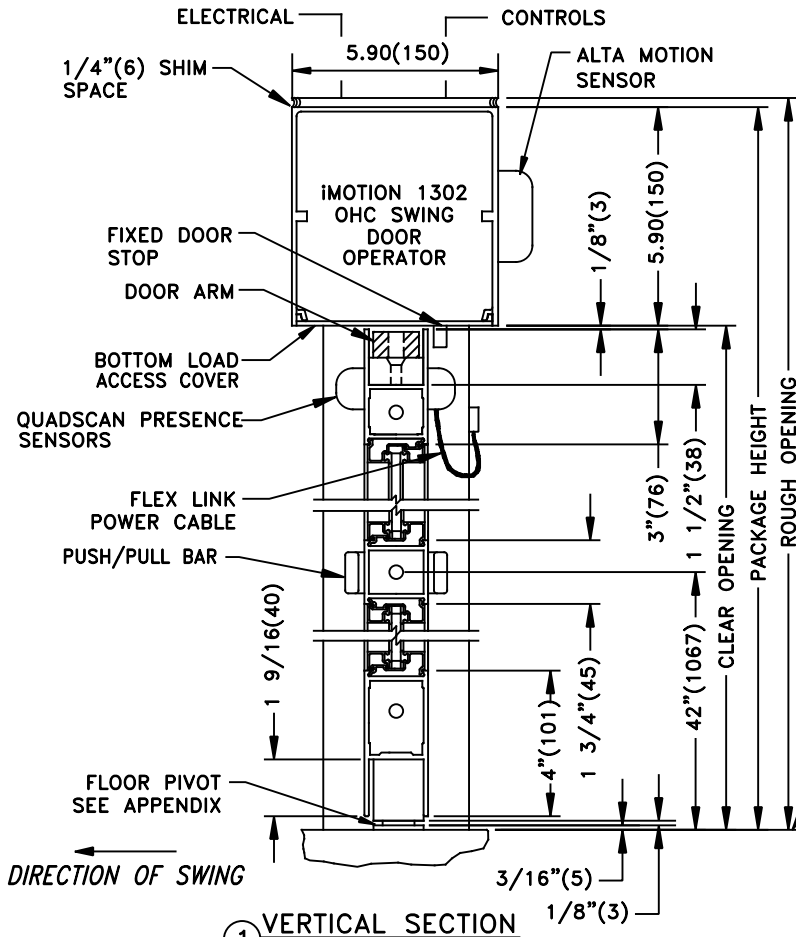
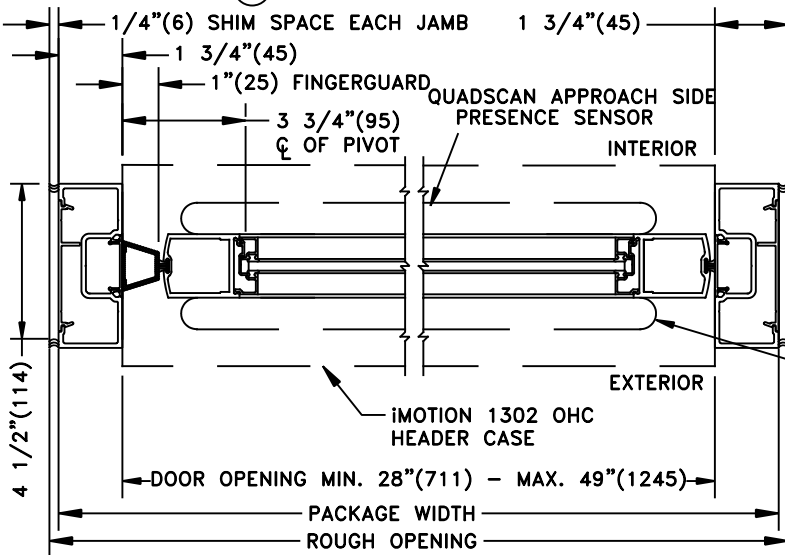


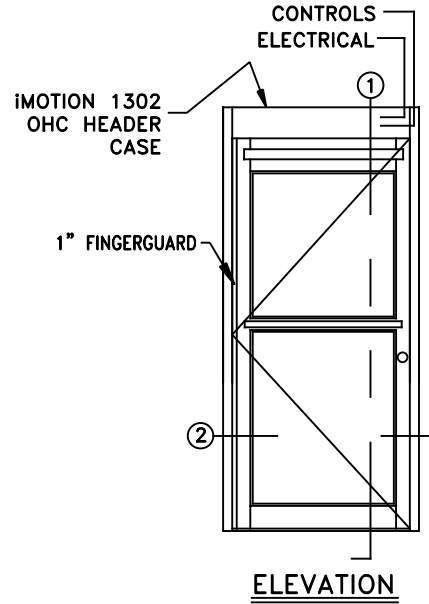
JOB NAME: \_\_\_\_\_ DATE: \_\_\_\_\_  
 DOOR LOCATION: \_\_\_\_\_ DOOR NO: \_\_\_\_\_ SHEET \_\_\_\_ OF \_\_\_\_



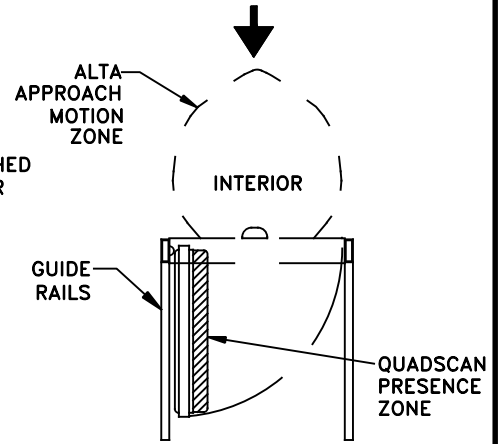
① **VERTICAL SECTION**



② **HORIZONTAL SECTION**



**ELEVATION**



**EXTERIOR**

**PLAN**

- NOTES:**
1. DETAILS NOT TO SCALE.
  2. ELECTRICAL REQUIREMENTS: 120VAC, 5AMPS MIN. TO OPERATOR BY ELECTRICAL CONTRACTOR.
  3. 32" CLEAR DOOR OPENING REQUIRED TO MEET A.D.A. REQUIREMENTS.
  4. DOORS MUST BE NON-LATCHED FOR PROPER OPERATION.
  5. DOORS FRAMES AND HARDWARE BY TORMAX TECHNOLOGIES.