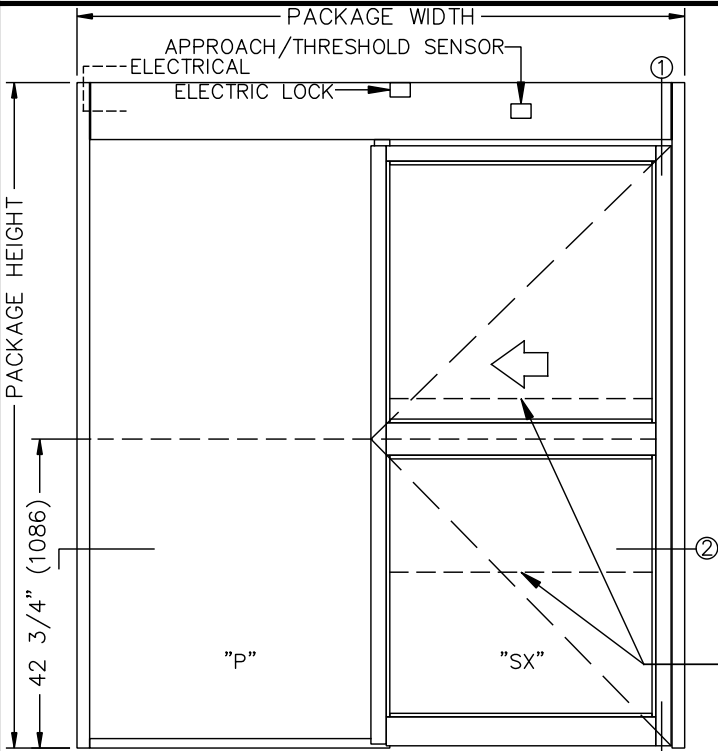
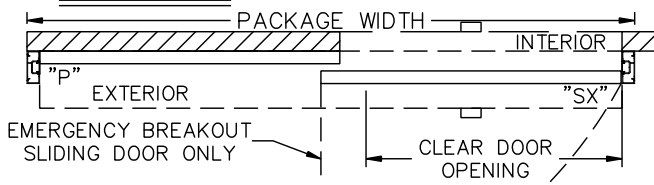


JOB NAME: \_\_\_\_\_ DATE: \_\_\_\_\_

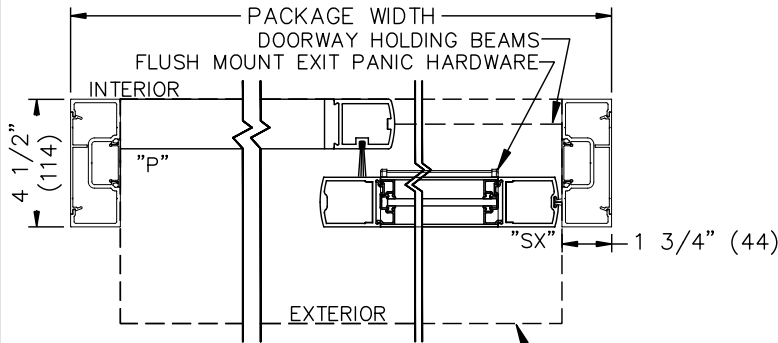
DOOR LOCATION: \_\_\_\_\_ DOOR NO: \_\_\_\_\_ SHEET \_\_\_\_\_ OF \_\_\_\_\_



**ELEVATION**

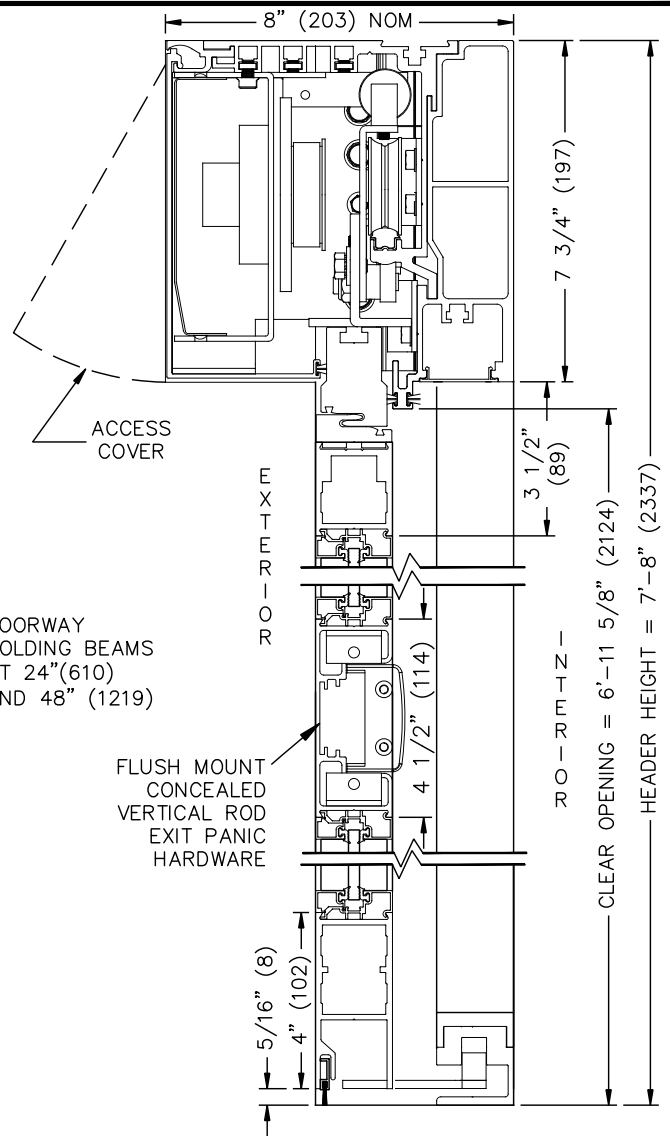


**PLAN**



**HORIZONTAL SECTION**

- NOTES:  
 1. ELEVATION & PLAN DETAILS TO SCALE.  
 2. ELECTRICAL REQUIREMENTS:  
 120VAC, 5AMPS MIN. TO OPERATOR BY ELECTRICAL CONTRACTOR.  
 3. DOOR PACKAGES ARE INDIVIDUALLY ENGINEERED TO FIT YOUR  
 JOB REQUIREMENTS.



**1 VERTICAL SECTION**  
 (NOT TO SCALE)

SEE APPENDIX FOR DETAILS OF TX9200 HEAVY DUTY DRIVE SYSTEM AND THRESHOLD OPTIONS.

SEE APPENDIX 2.1.H FOR SURFACE MOUNT CONCEALED VERTICAL ROD EXIT PANIC HARDWARE OPTION

**SAMPLE PACKAGE WIDTH INFORMATION**

PKG. WIDTH	NOMINAL CLEAR DOOR OPENING	SLIDING DOOR / PANEL NOM. WIDTH	EMERGENCY BREAKOUT NOM. WIDTH
7'-0" (2134)	36" (914)	41 1/2" (1054)	39" (991)
8'-0" (2438)	42" (1067)	47 1/2" (1207)	45" (1143)
9'-0" (2743)	48" (1219)	53 1/2" (1358)	51" (1295)