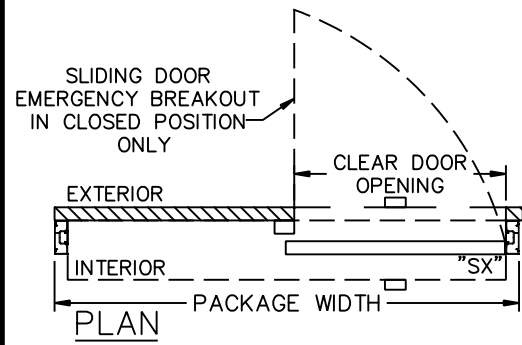
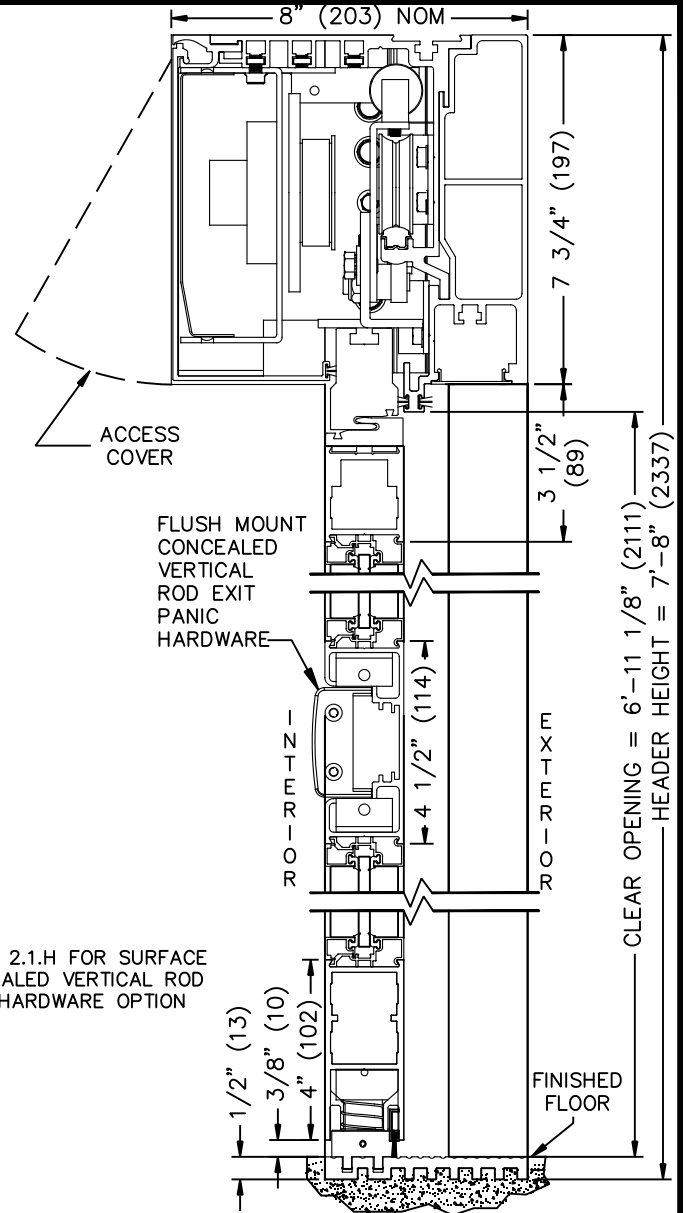
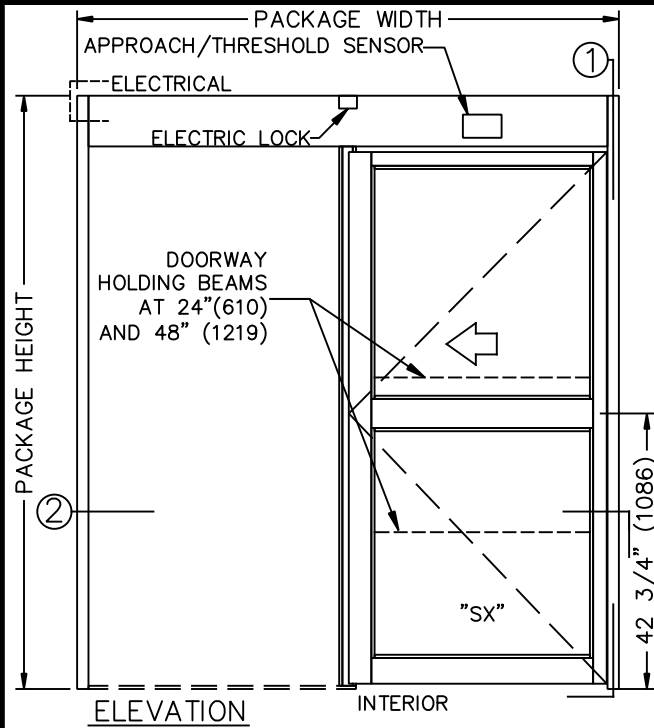
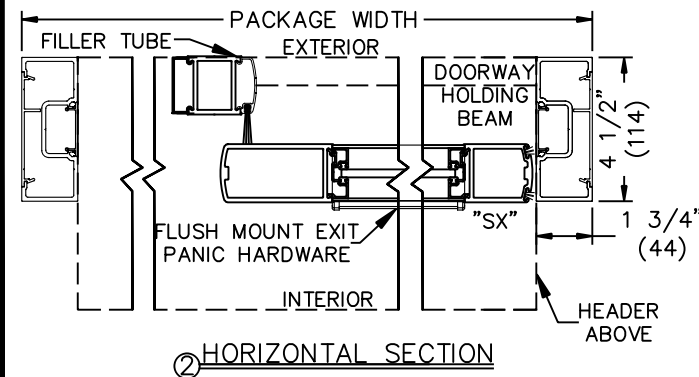


JOB NAME: _____ DATE: _____

DOOR LOCATION: _____ DOOR NO: _____ SHEET _____ OF _____



SEE APPENDIX 2.1.H FOR SURFACE MOUNT CONCEALED VERTICAL ROD EXIT PANIC HARDWARE OPTION



- NOTES:
 1. ELEVATION & PLAN DETAILS TO SCALE.
 2. ELECTRICAL REQUIREMENTS:
 120VAC, 5AMPS MIN. TO OPERATOR BY ELECTRICAL CONTRACTOR.
 3. DOOR PACKAGES ARE INDIVIDUALLY ENGINEERED TO FIT YOUR JOB REQUIREMENTS.

SAMPLE PACKAGE WIDTH INFORMATION

PKG. WIDTH	NOMINAL CLEAR DOOR OPENING	SLIDING DOOR / PANEL NOM. WIDTH	EMERGENCY BREAKOUT NOM. WIDTH
7'-0" (2134)	39 1/4" (997)	40 1/4" (1022)	37" (940)
8'-0" (2438)	45 1/4" (1149)	46 1/4" (1175)	43" (1092)
9'-0" (2743)	51 1/4" (1302)	52 1/4" (1327)	49" (1245)