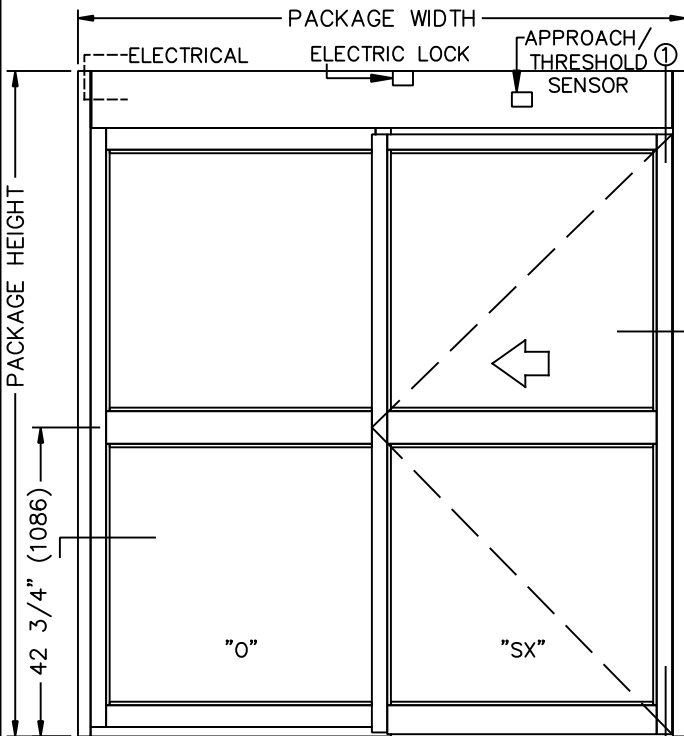
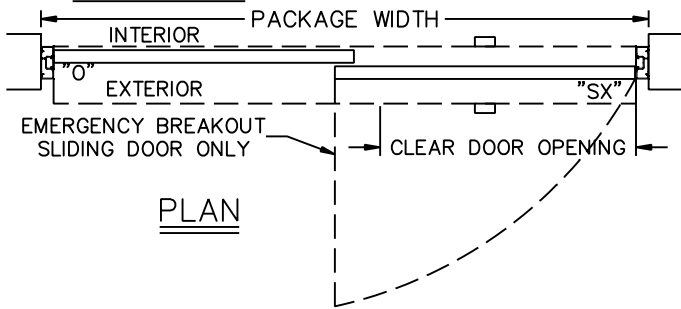


JOB NAME: _____ DATE: _____

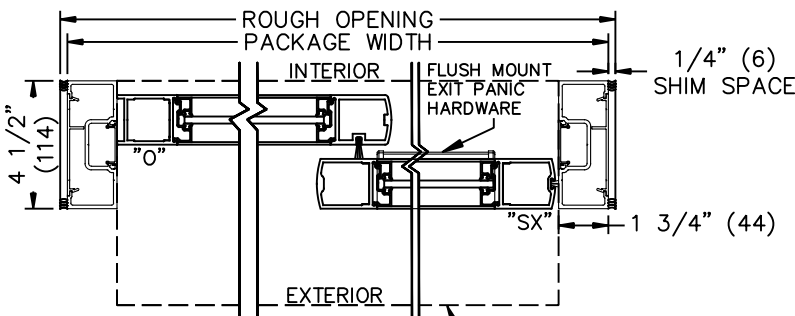
DOOR LOCATION: _____ DOOR NO: _____ SHEET _____ OF _____



ELEVATION



PLAN

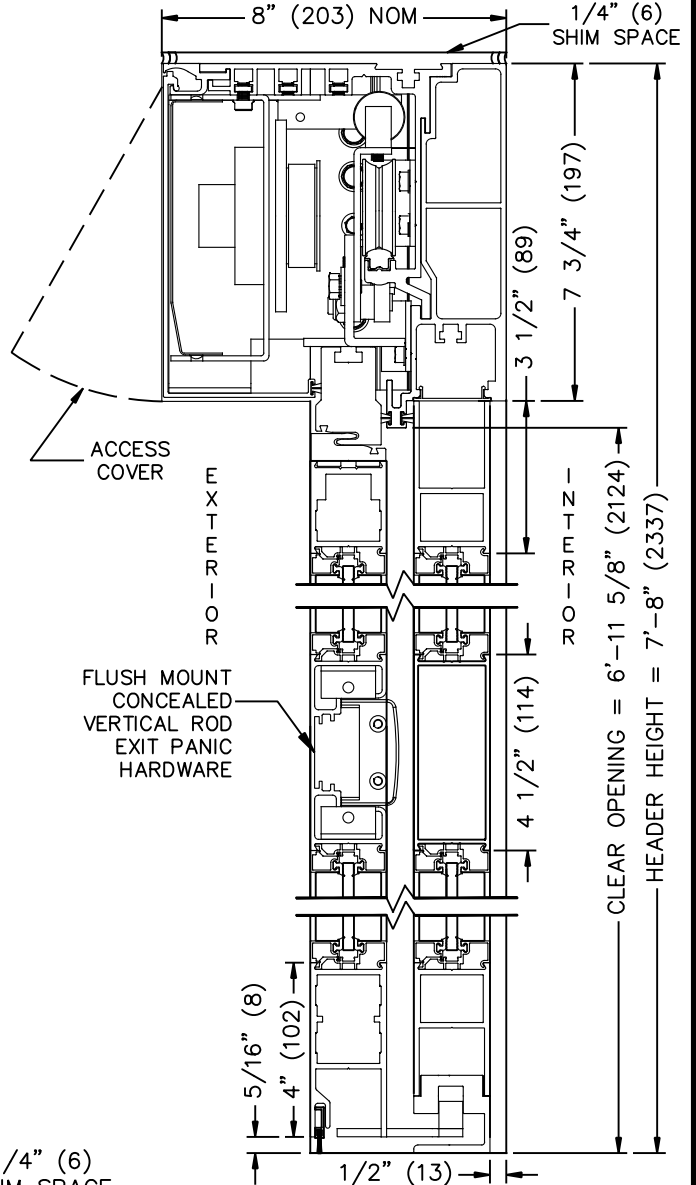


② HORIZONTAL SECTION

HEADER ABOVE

NOTES:

1. ELEVATION & PLAN DETAILS TO SCALE.
2. ELECTRICAL REQUIREMENTS:
120VAC, 5AMPS MIN. TO OPERATOR BY ELECTRICAL CONTRACTOR.
3. DOOR PACKAGES ARE INDIVIDUALLY ENGINEERED TO FIT YOUR JOB REQUIREMENTS.



① VERTICAL SECTION
 (NOT TO SCALE)

SEE APPENDIX FOR DETAILS OF TX9200 HEAVY DUTY DRIVE SYSTEM AND THRESHOLD OPTIONS.

SEE APPENDIX 2.1.H FOR SURFACE MOUNT CONCEALED VERTICAL ROD EXIT PANIC HARDWARE OPTION

SAMPLE PACKAGE WIDTH INFORMATION

PKG. WIDTH	NOMINAL CLEAR DOOR OPENING	SLIDING DOOR / PANEL NOM. WIDTH	EMERGENCY BREAKOUT NOM. WIDTH
7'-0" (2134)	36" (914)	41 1/2" (1054)	39" (991)
8'-0" (2438)	42" (1067)	47 1/2" (1207)	45" (1143)
9'-0" (2743)	48" (1219)	53 1/2" (1358)	51" (1295)