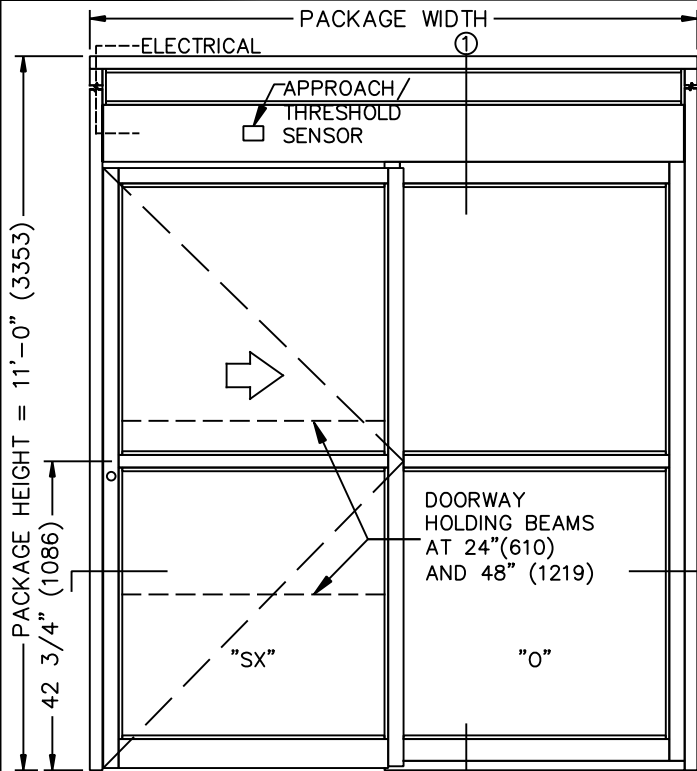
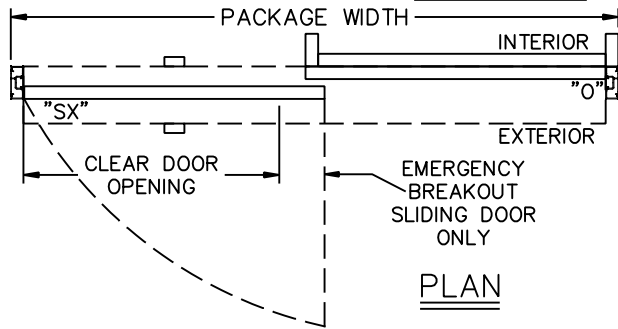


JOB NAME: _____ DATE: _____

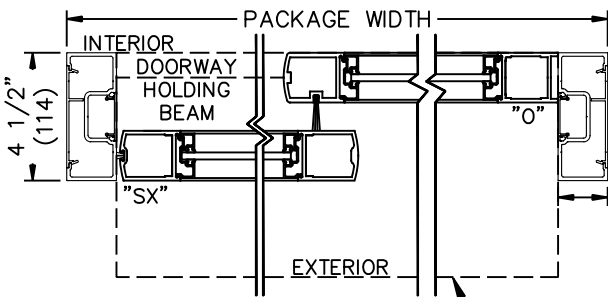
DOOR LOCATION: _____ DOOR NO: _____ SHEET _____ OF _____



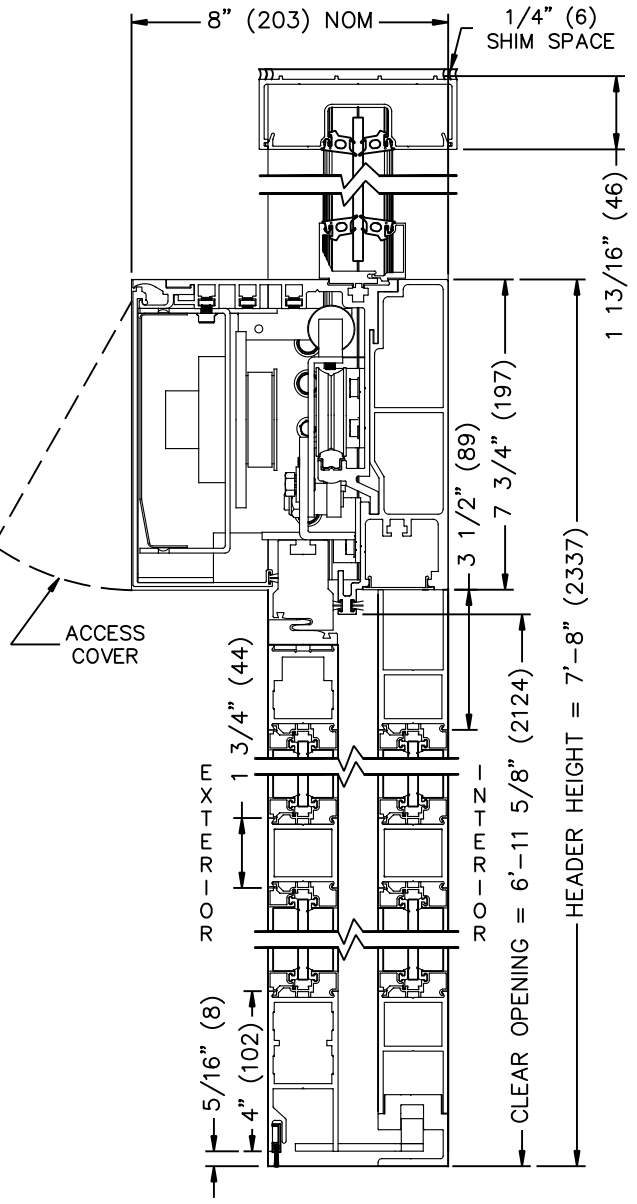
ELEVATION



PLAN



HORIZONTAL SECTION



① VERTICAL SECTION (NOT TO SCALE)

SEE APPENDIX FOR DETAILS OF TX9200 HEAVY DUTY DRIVE SYSTEM AND THRESHOLD OPTIONS.

- NOTES:
- ELEVATION & PLAN DETAILS TO SCALE.
 - ELECTRICAL REQUIREMENTS:
120VAC, 5AMPS MIN. TO OPERATOR BY ELECTRICAL CONTRACTOR.
 - DOOR PACKAGES ARE INDIVIDUALLY ENGINEERED TO FIT YOUR JOB REQUIREMENTS.

SAMPLE PACKAGE WIDTH INFORMATION

PKG. WIDTH	NOMINAL CLEAR DOOR OPENING	SLIDING DOOR / PANEL NOM. WIDTH	EMERGENCY BREAKOUT NOM. WIDTH
7'-0" (2134)	36" (914)	41 1/2" (1054)	39" (991)
8'-0" (2438)	42" (1067)	47 1/2" (1207)	45" (1143)
9'-0" (2743)	48" (1219)	53 1/2" (1358)	51" (1295)