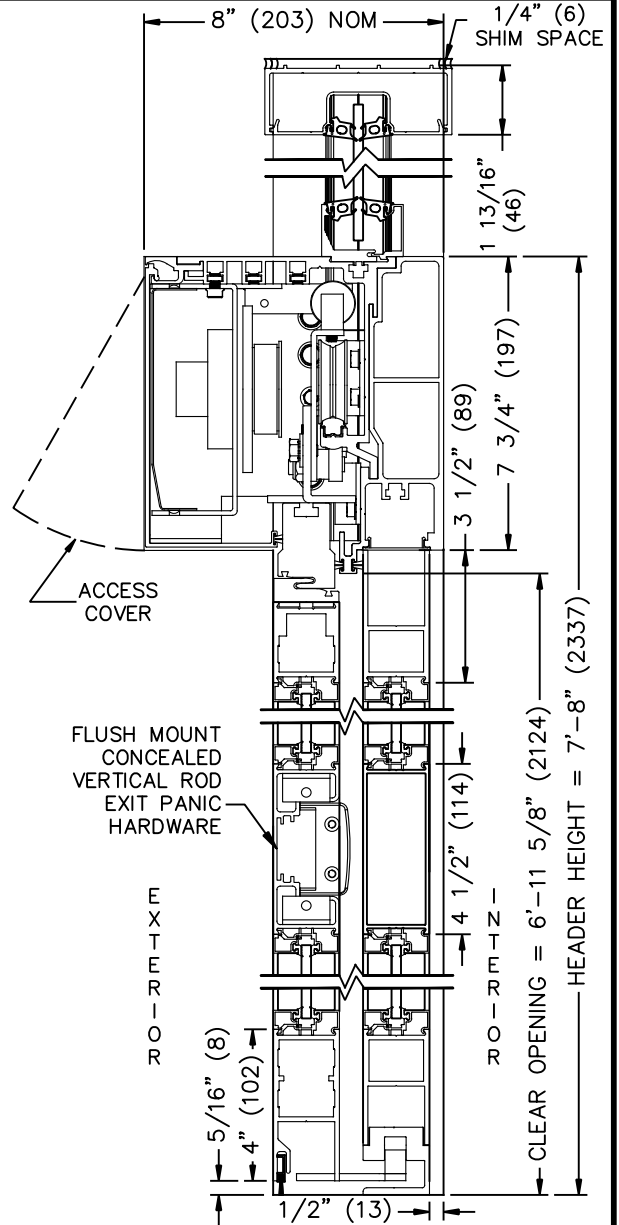
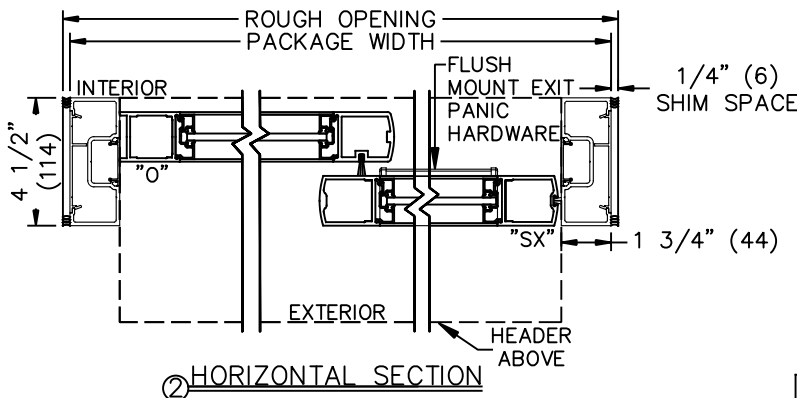
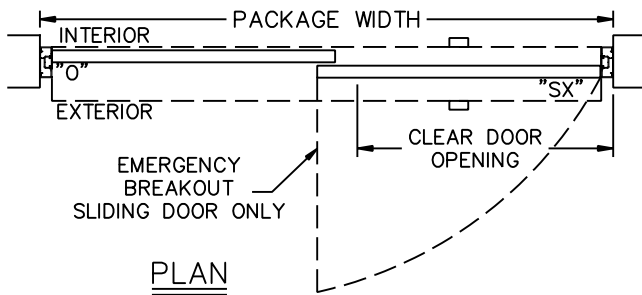
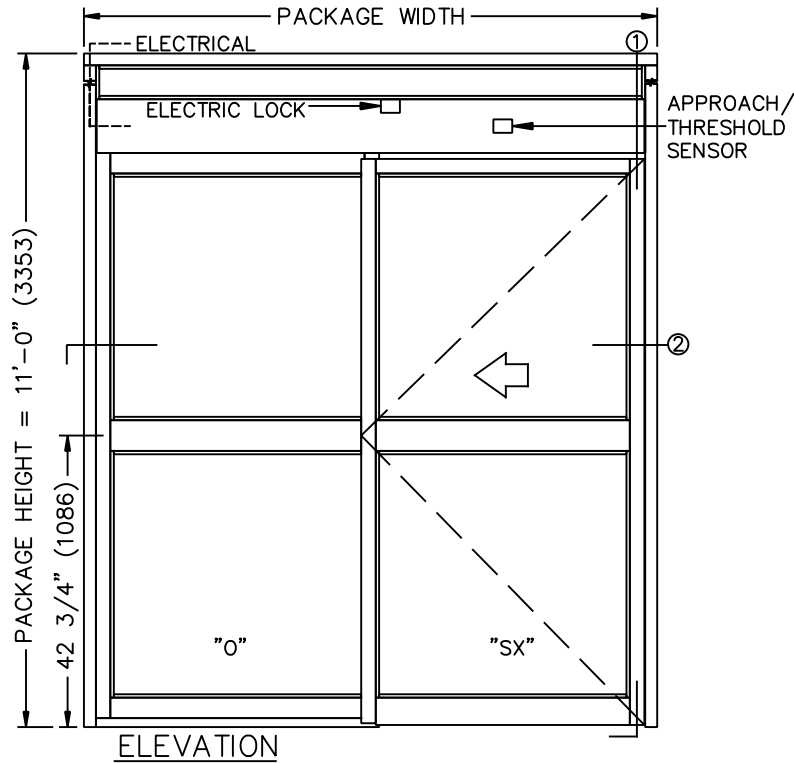


JOB NAME: \_\_\_\_\_ DATE: \_\_\_\_\_

DOOR LOCATION: \_\_\_\_\_ DOOR NO: \_\_\_\_\_ SHEET \_\_\_\_\_ OF \_\_\_\_\_



- NOTES:
- ELEVATION & PLAN DETAILS TO SCALE.
  - ELECTRICAL REQUIREMENTS:  
 120VAC, 5AMPS MIN. TO OPERATOR BY ELECTRICAL CONTRACTOR.
  - DOOR PACKAGES ARE INDIVIDUALLY ENGINEERED TO FIT YOUR JOB REQUIREMENTS.

SEE APPENDIX FOR DETAILS OF TX9200 HEAVY DUTY DRIVE SYSTEM AND THRESHOLD OPTIONS.  
 SEE APPENDIX 2.1.H FOR SURFACE MOUNT CONCEALED VERTICAL ROD EXIT PANIC HARDWARE OPTION

**SAMPLE PACKAGE WIDTH INFORMATION**

PKG. WIDTH	NOMINAL CLEAR DOOR OPENING	SLIDING DOOR / PANEL NOM. WIDTH	EMERGENCY BREAKOUT NOM. WIDTH
7'-0" (2134)	36" (914)	41 1/2" (1054)	39" (991)
8'-0" (2438)	42" (1067)	47 1/2" (1207)	45" (1143)
9'-0" (2743)	48" (1219)	53 1/2" (1358)	51" (1295)