

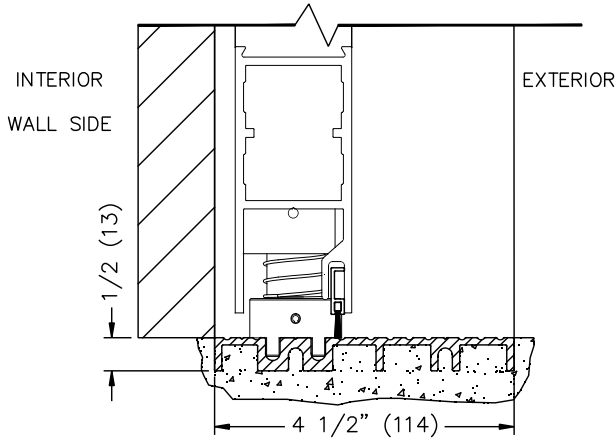


TX9200FM FLUSH WALL MOUNT

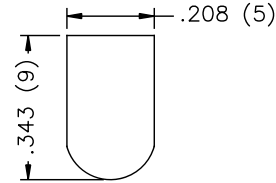
THRESHOLD OPTIONS – RECESSED THRESHOLD TRACK

JOB NAME: _____ DATE: _____

DOOR LOCATION: _____ DOOR NO: _____ SHEET ___ OF ___



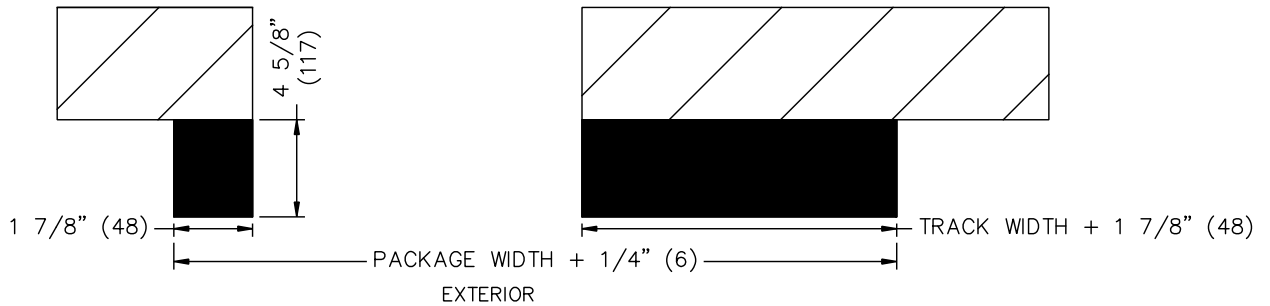
- NOTE: 1. RECESSED THRESHOLD TRACK REQUIRED ADJACENT TO WALL ONLY. RECESS SHALL INCLUDE EACH JAMB TUBE AS WELL. RECESS IS 1/2" (13) IN DEPTH X 4 5/8" (117) IN WIDTH. LENGTH IS DETERMINED BY TRACK WIDTH.
2. CONTINUOUS RECESSED THRESHOLD TRACK IS OPTIONAL. FILTER STRIP IS USED AT SLIDE DOOR OPENING.



FILTER STRIP – USED AT SLIDE DOOR OPENING

PLAN FOR SINGLE SLIDE RECESSED THRESHOLD TRACK

SINGLE SLIDE TRACK WIDTH = 1/2 PACKAGE WIDTH – 1/2"(13)



PLAN FOR BI-PART RECESSED THRESHOLD TRACK

BI-PART TRACK WIDTH = 1/4 PACKAGE WIDTH + 13/32"(10)

