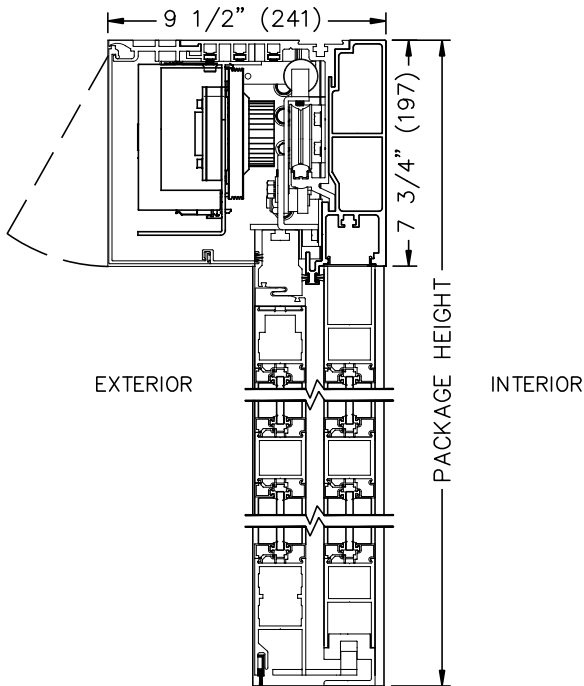
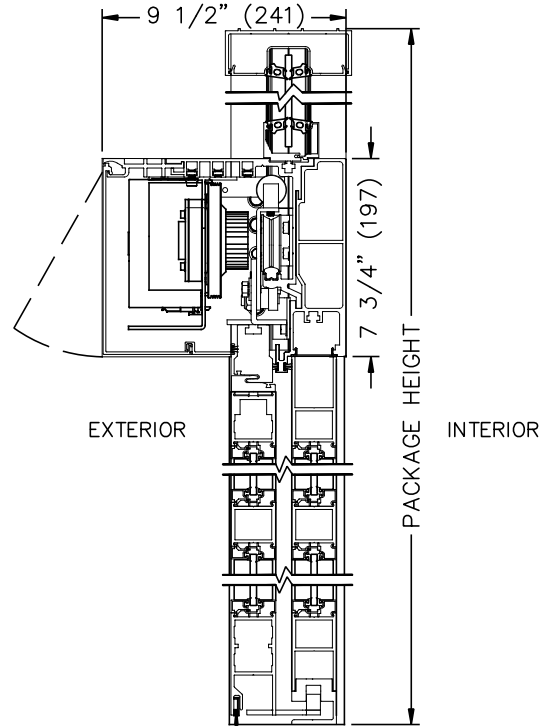


JOB NAME: _____ DATE: _____

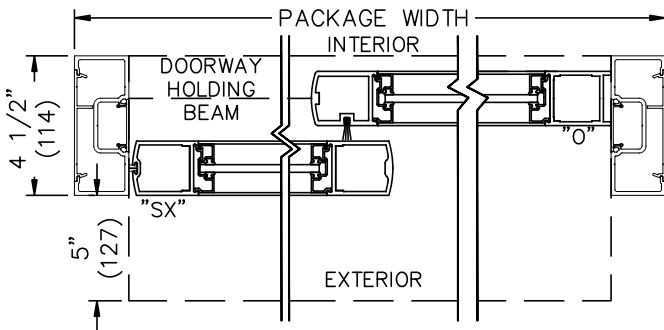
DOOR LOCATION: _____ DOOR NO: _____ SHEET _____ OF _____



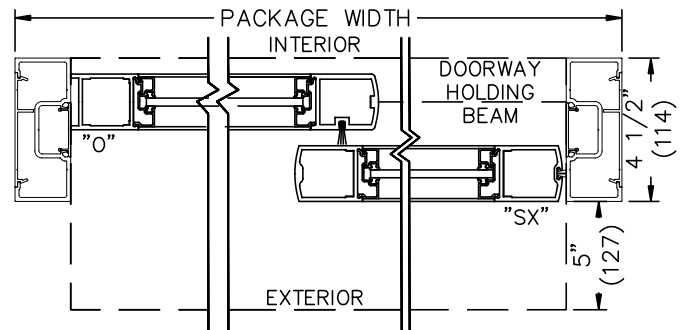
① VERTICAL SECTION WITHOUT TRANSOM



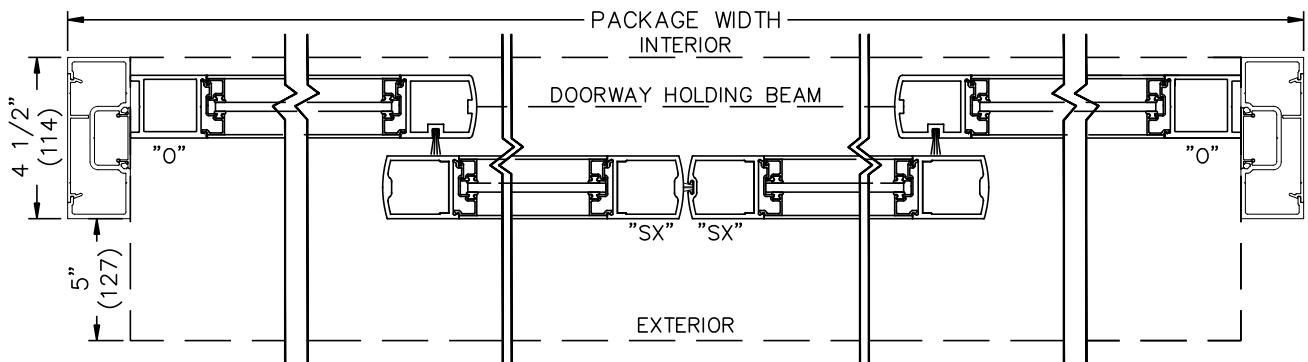
① VERTICAL SECTION WITH TRANSOM



② HORIZONTAL SECTION - R.H. SINGLE SLIDE



② HORIZONTAL SECTION - L.H. SINGLE SLIDE



② HORIZONTAL SECTION - BI-PART SLIDER