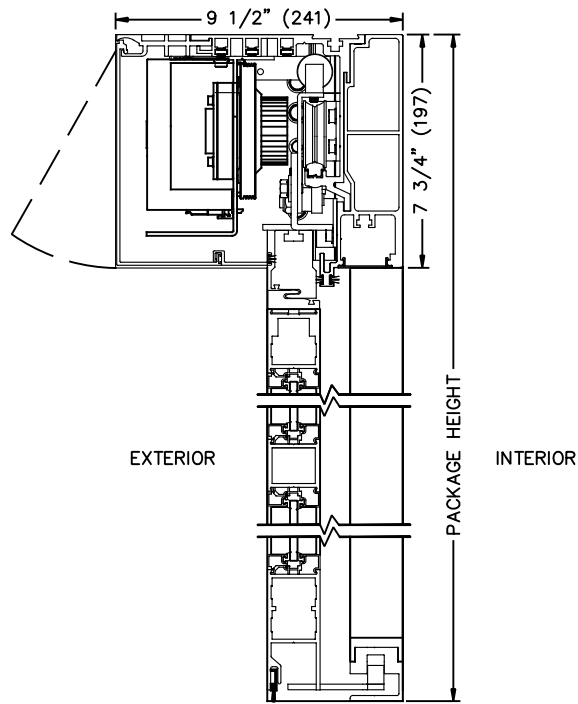
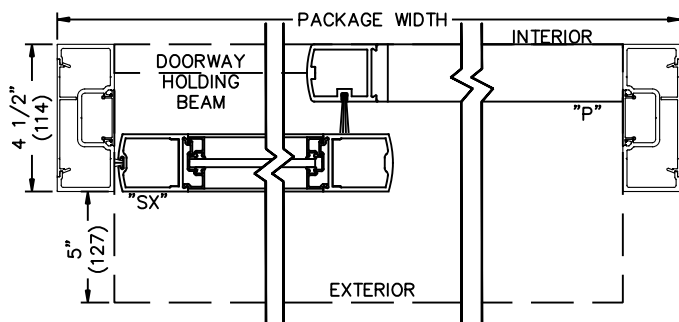


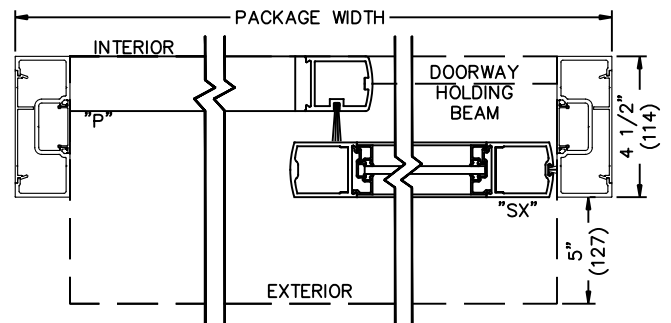
JOB NAME: _____ DATE: _____
 DOOR LOCATION: _____ DOOR NO: _____ SHEET ____ OF ____



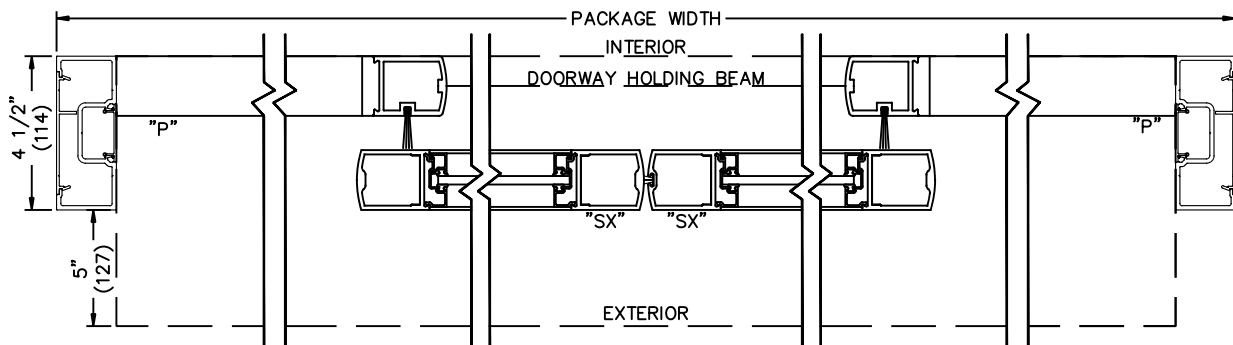
① VERTICAL SECTION WITHOUT TRANSOM



② HORIZONTAL SECTION - R.H. SINGLE SLIDE



② HORIZONTAL SECTION - L.H. SINGLE SLIDE



② HORIZONTAL SECTION - BI-PART SLIDER