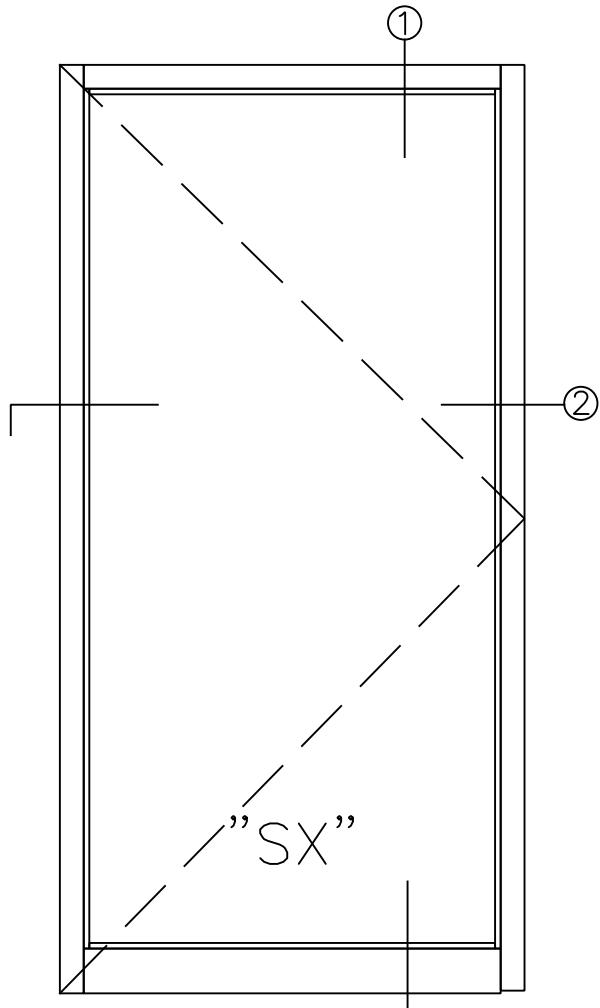
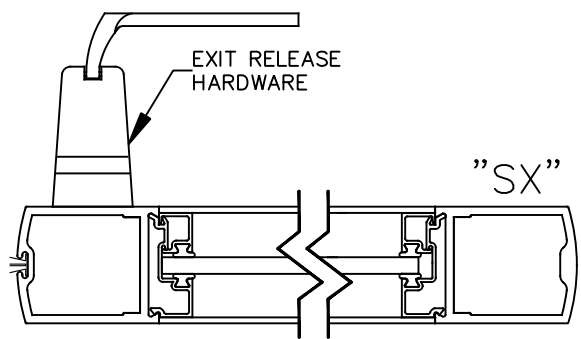


JOB NAME: \_\_\_\_\_ DATE: \_\_\_\_\_

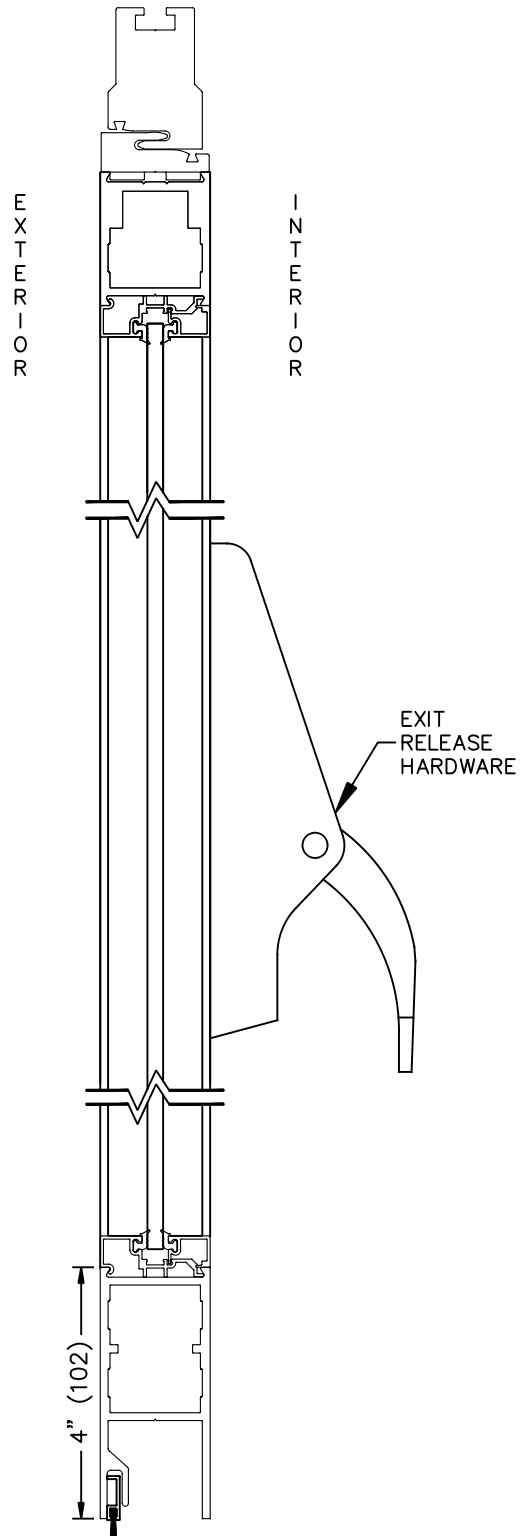
DOOR LOCATION: \_\_\_\_\_ DOOR NO: \_\_\_\_\_ SHEET \_\_\_\_ OF \_\_\_\_



ELEVATION SECTION  
 (NOT TO SCALE)



② HORIZONTAL SECTION  
 (NOT TO SCALE)



① VERTICAL SECTION  
 (NOT TO SCALE)