

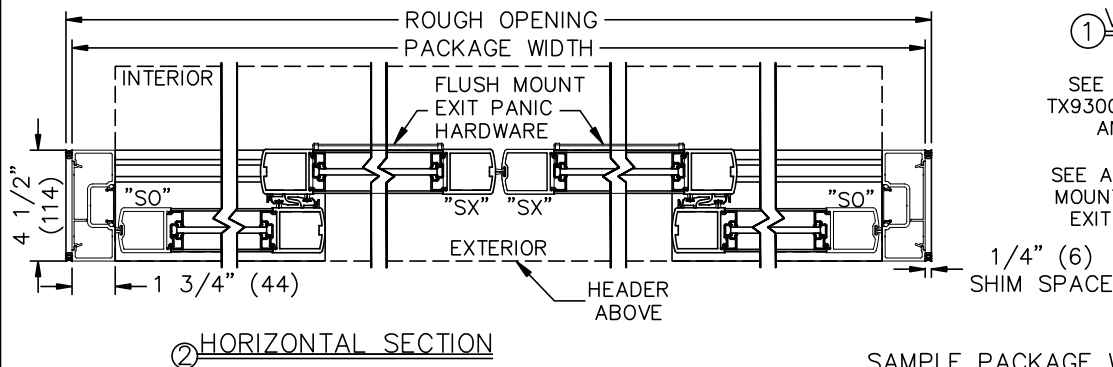
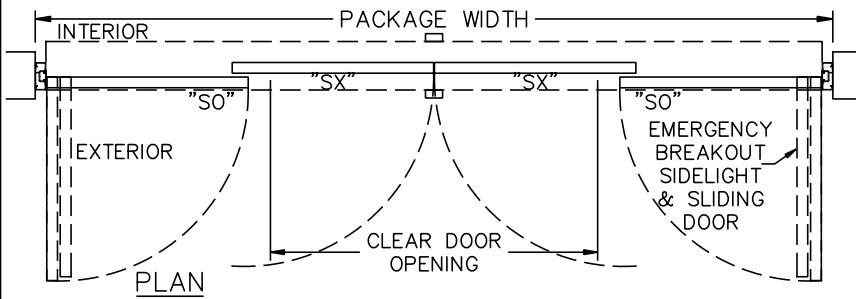
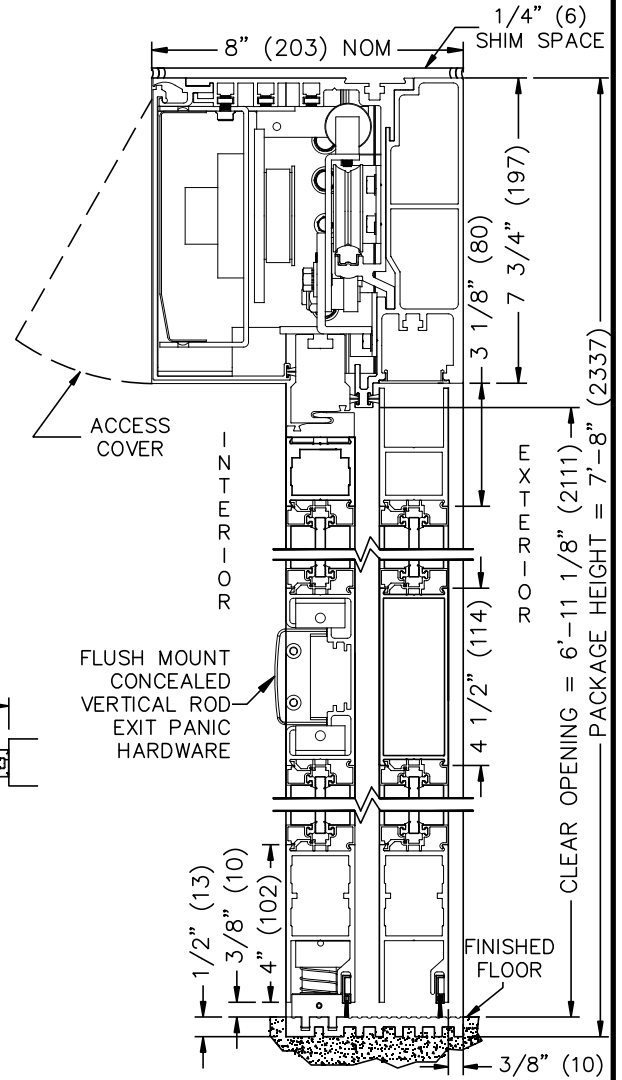
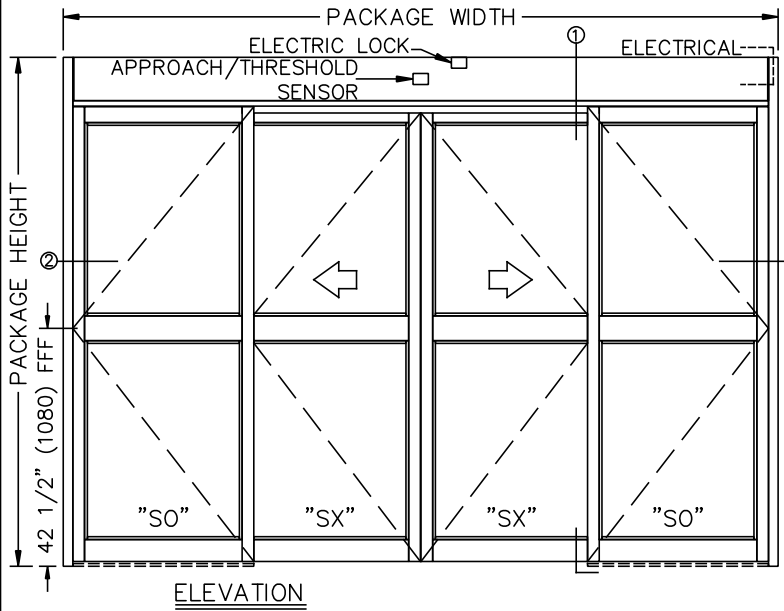


TX9300AC AUTOMATIC SLIDING DOOR SYSTEM

BI-PART INSIDE SLIDE APPLICATION WITH ELECTRIC LOCK AND FLUSH MOUNT EXIT PANIC HARDWARE

JOB NAME: _____ DATE: _____

DOOR LOCATION: _____ DOOR NO: _____ SHEET _____ OF _____



① VERTICAL SECTION (NOT TO SCALE)

SEE APPENDIX FOR DETAILS OF TX9300 HEAVY DUTY DRIVE SYSTEM AND THRESHOLD OPTIONS.

SEE APPENDIX 2.2.F FOR SURFACE MOUNT CONCEALED VERTICAL ROD EXIT PANIC HARDWARE OPTION.

② HORIZONTAL SECTION

NOTES:

1. ELEVATION & PLAN DETAILS TO SCALE.
2. ELECTRICAL REQUIREMENTS:
120VAC, 5AMPS MIN. TO OPERATOR BY ELECTRICAL CONTRACTOR.
3. DOOR PACKAGES ARE INDIVIDUALLY ENGINEERED TO FIT YOUR JOB REQUIREMENTS.

SAMPLE PACKAGE WIDTH INFORMATION

PKG. WIDTH	NOMINAL CLEAR DOOR OPENING	SLIDING DOOR / PANEL NOM. WIDTH	EMERGENCY BREAKOUT NOM. WIDTH
10'-0"(3048)	48" (1219)	30 3/8"(772)	105" (2667)
12'-0"(3658)	60" (1254)	36 3/8"(924)	129" (3277)
14'-0"(4267)	72" (1829)	42 3/8"(1076)	153" (3886)