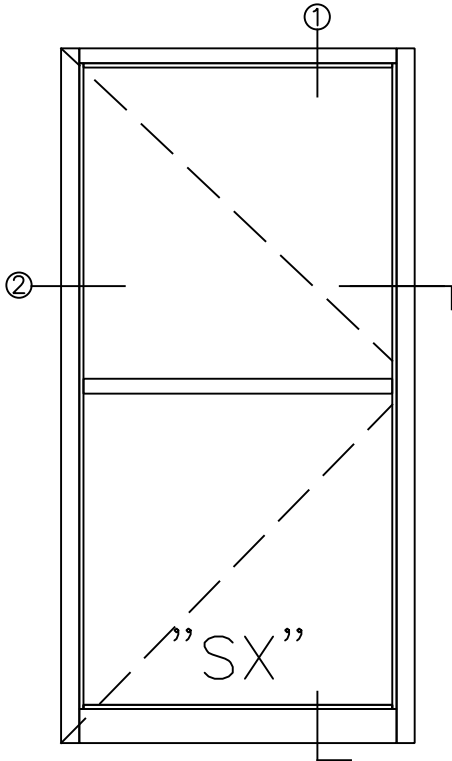




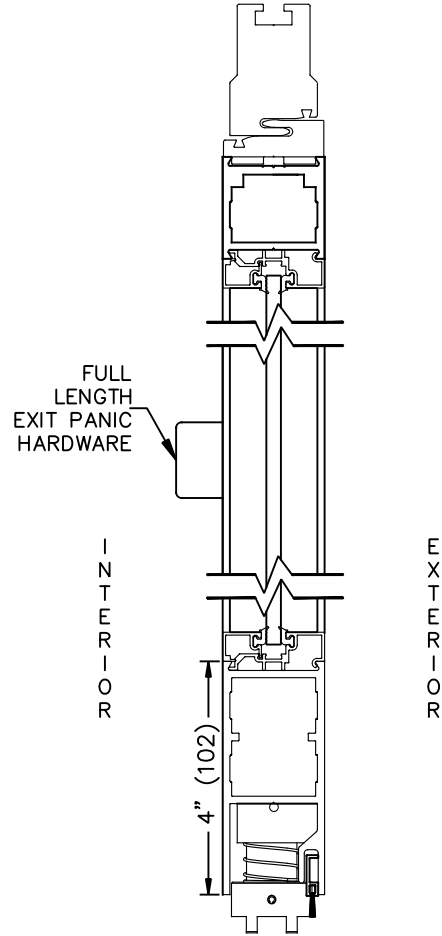
TX9300/TX9430 SX PNL-OPTIONAL SM HDW
INSIDE SLIDE WITH ELECTRIC LOCK AND SURFACE
MOUNT EXIT PANIC HARDWARE

JOB NAME: _____ DATE: _____

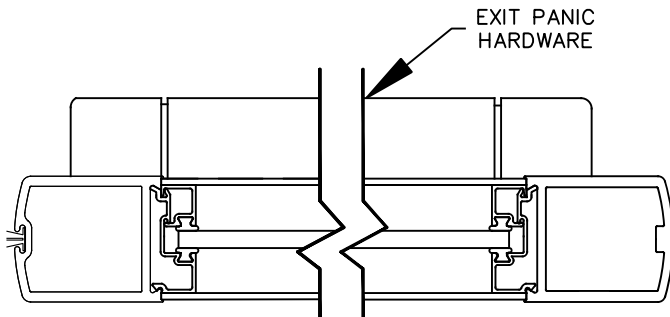
DOOR LOCATION: _____ DOOR NO: _____ SHEET ____ OF ____



ELEVATION
(TO SCALE)



① VERTICAL SECTION
(NOT TO SCALE)



② HORIZONTAL SECTION
(NOT TO SCALE)