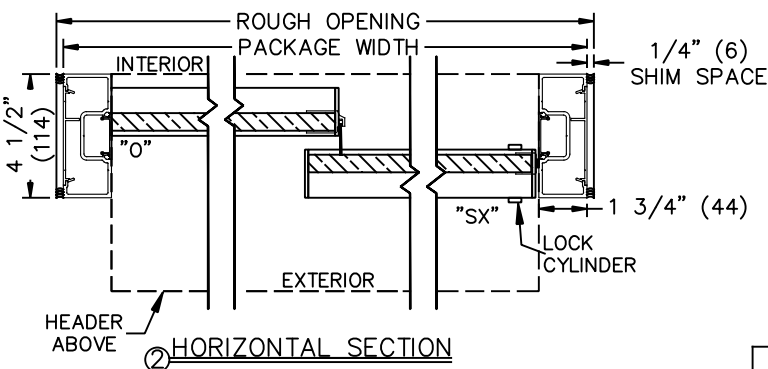
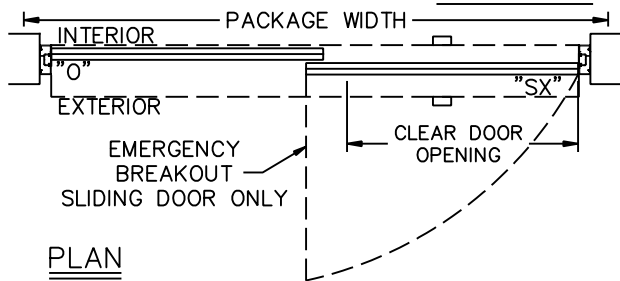
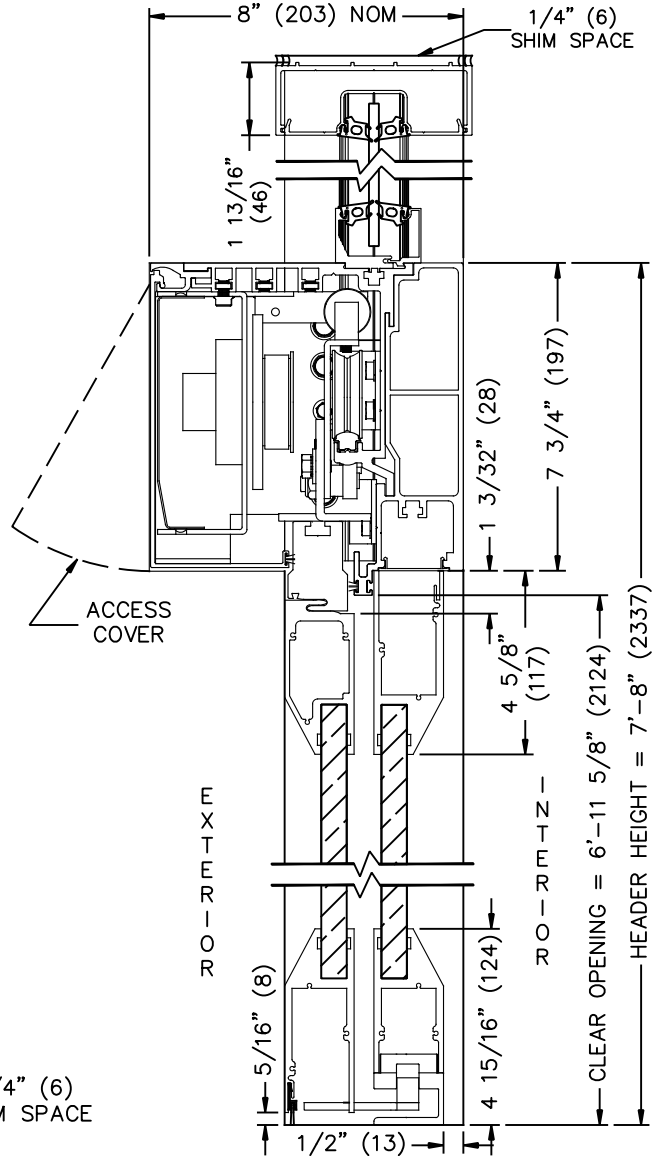
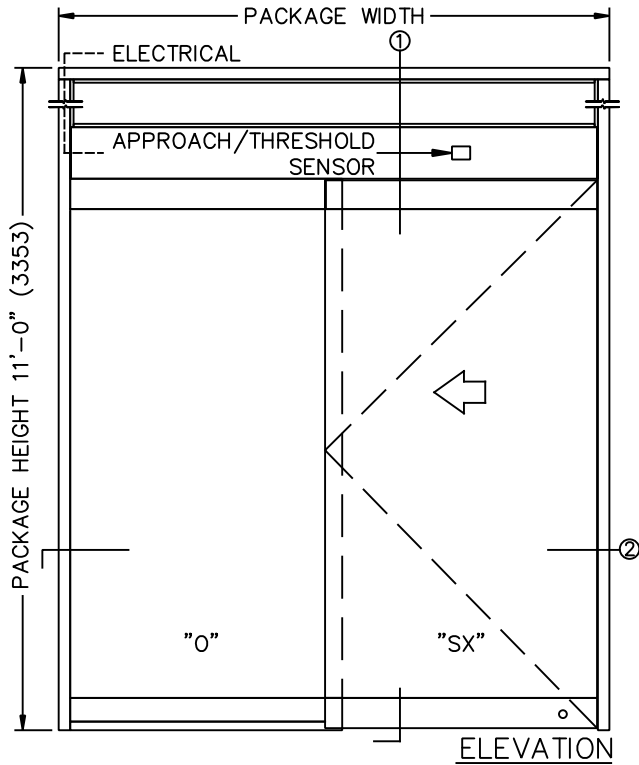


JOB NAME: _____ DATE: _____
 DOOR LOCATION: _____ DOOR NO: _____ SHEET ____ OF ____



① VERTICAL SECTION
 (NOT TO SCALE)

SEE APPENDIX 2.1.A FOR THRESHOLD OPTIONS.
 SEE APPENDIX 2.4.A FOR DETAILS OF TX9500AG WITH HEAVY DUTY DRIVE SYSTEM.

SAMPLE PACKAGE WIDTH INFORMATION

PKG. WIDTH	NOMINAL CLEAR DOOR OPENING	SLIDING DOOR / PANEL NOM. WIDTH	EMERGENCY BREAKOUT NOM. WIDTH
7'-0" (2134)	36" (914)	41 1/2" (1054)	39" (991)
8'-0" (2438)	42" (1067)	47 1/2" (1207)	45" (1143)
9'-0" (2743)	48" (1219)	53 1/2" (1358)	51" (1295)

- NOTES:
- ELEVATION & PLAN DETAILS TO SCALE.
 - ELECTRICAL REQUIREMENTS:
 120VAC, 5AMPS MIN. TO OPERATOR BY ELECTRICAL CONTRACTOR.
 - DOOR PACKAGES ARE INDIVIDUALLY ENGINEERED TO FIT YOUR JOB REQUIREMENTS.