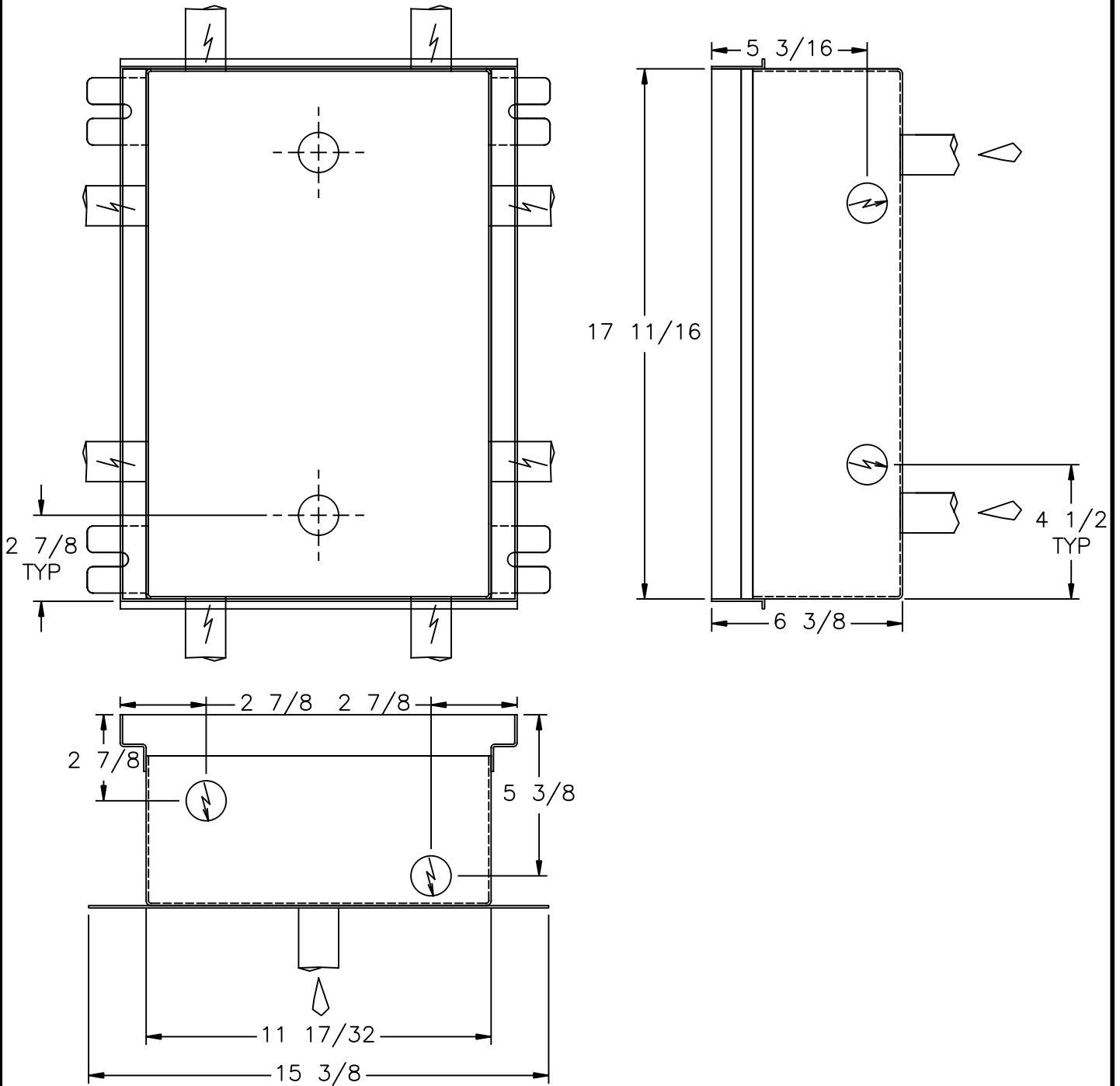




iMOTION® TN 110 IN-FLOOR FLUSH MOUNTED FLOOR BOX

JOB NAME: \_\_\_\_\_ DATE: \_\_\_\_\_

DOOR LOCATION: \_\_\_\_\_ DOOR NO: \_\_\_\_\_ SHEET \_\_\_\_ OF \_\_\_\_



SCALE: 1:1