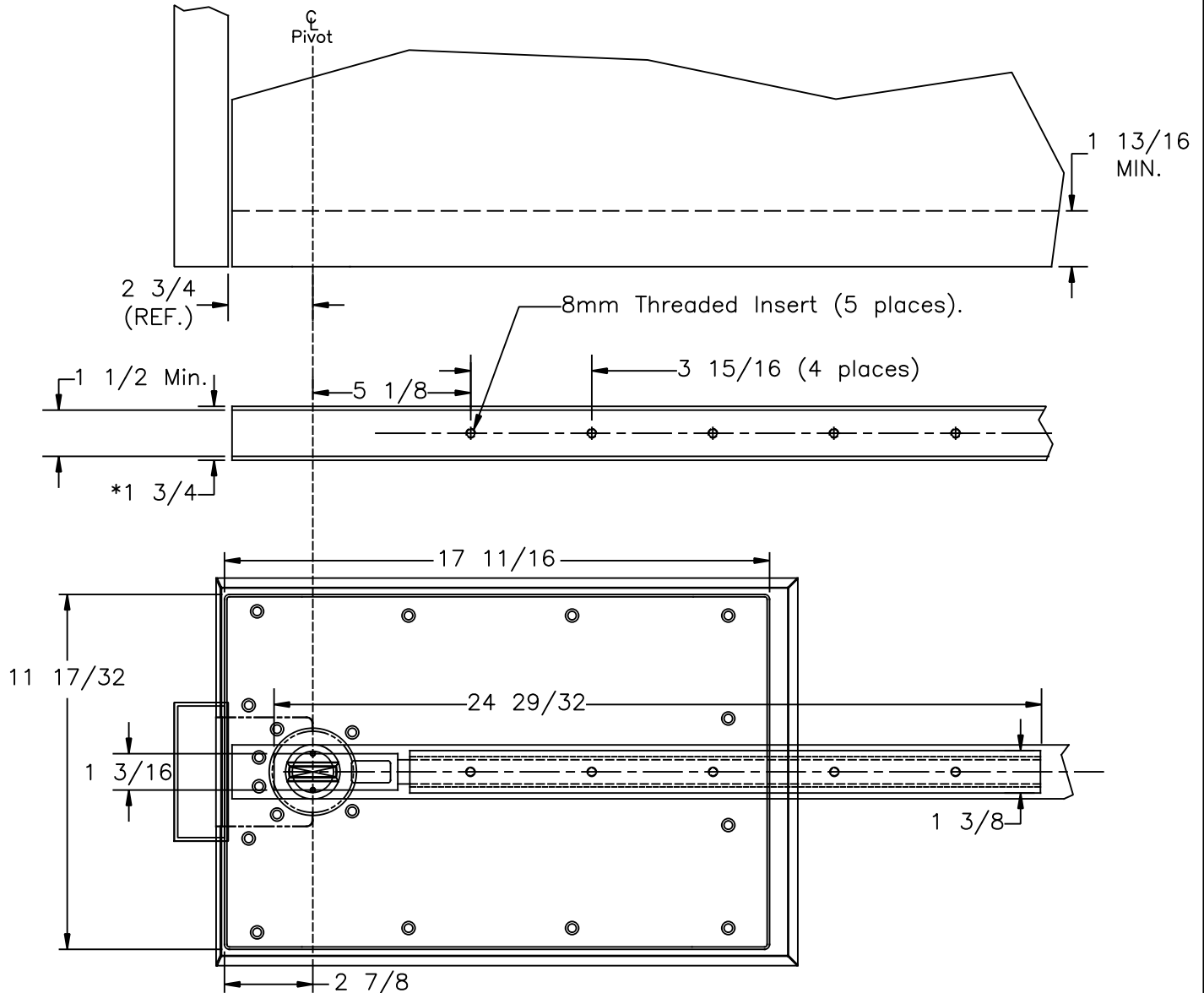


JOB NAME: _____ DATE: _____
 DOOR LOCATION: _____ DOOR NO: _____ SHEET ____ OF ____



NOTES: *INDICATES JOB SPECIFIC DIMENSION

SCALE: 1:1