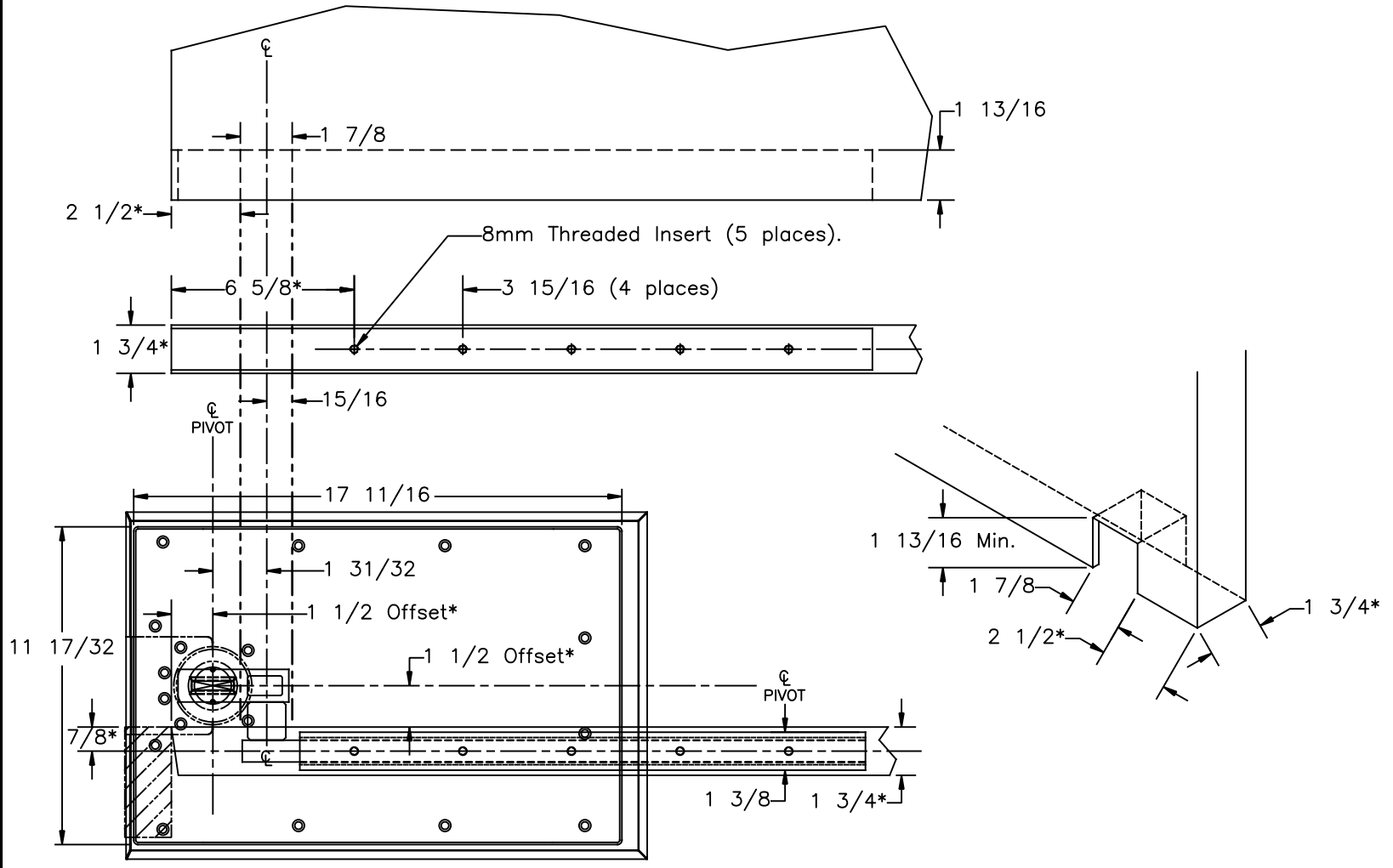


JOB NAME: _____ DATE: _____
 DOOR LOCATION: _____ DOOR NO: _____ SHEET ____ OF ____



NOTES:
 *INDICATES JOB SPECIFIC DIMENSION
 TORMAX WILL FABRICATE DOOR SHOE
 TO MATCH HINGE TYPE

SCALE: 1:1