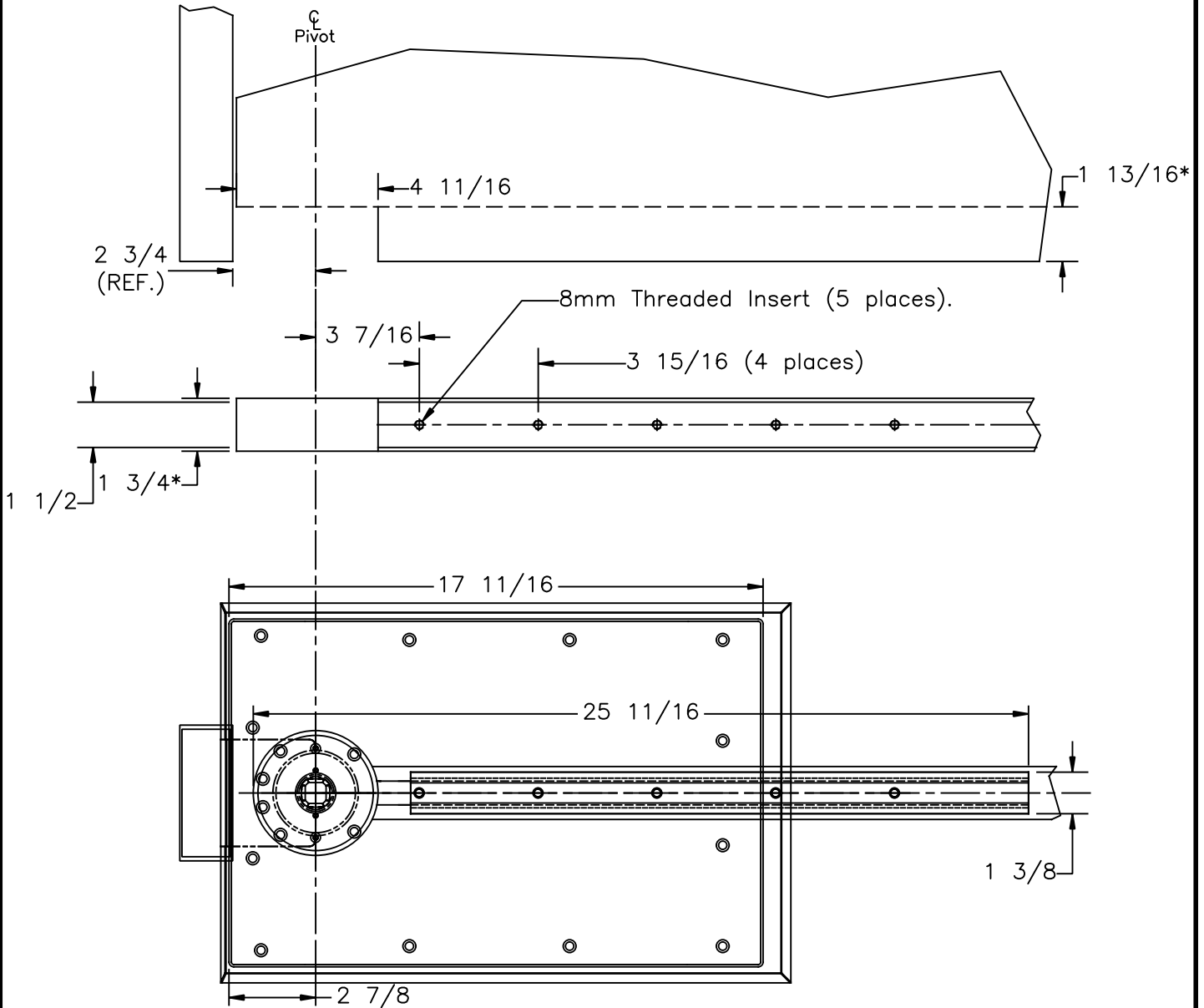




iMOTION® TN 110 IN-FLOOR SWING DOOR OPERATOR
WITH SURFACE MOUNT FLOOR BOX
LH/RH CENTER PIVOT w/ BREAKAWAY DOOR PREPARATION DETAIL

JOB NAME: _____ DATE: _____
DOOR LOCATION: _____ DOOR NO: _____ SHEET ____ OF ____



NOTES: *INDICATES JOB SPECIFIC DIMENSION

SCALE: 1:1