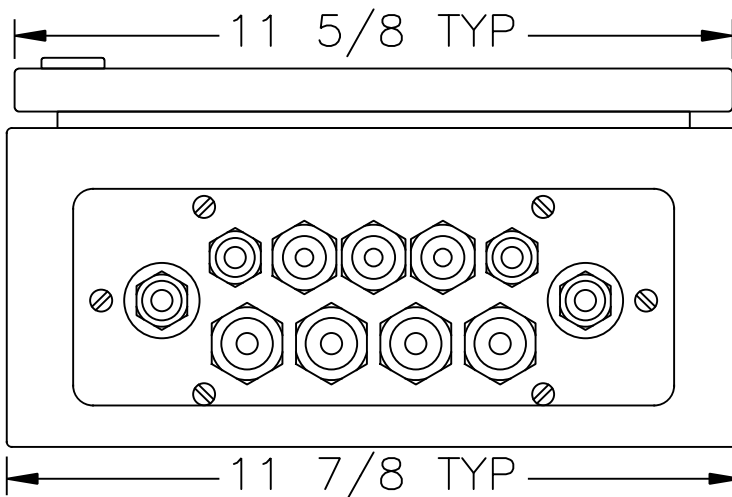
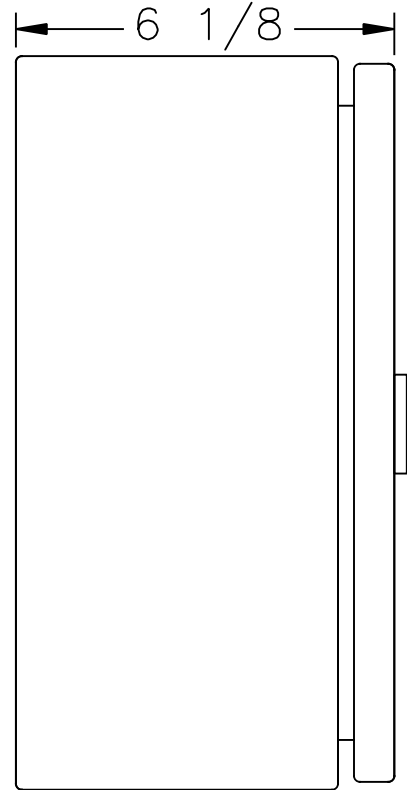
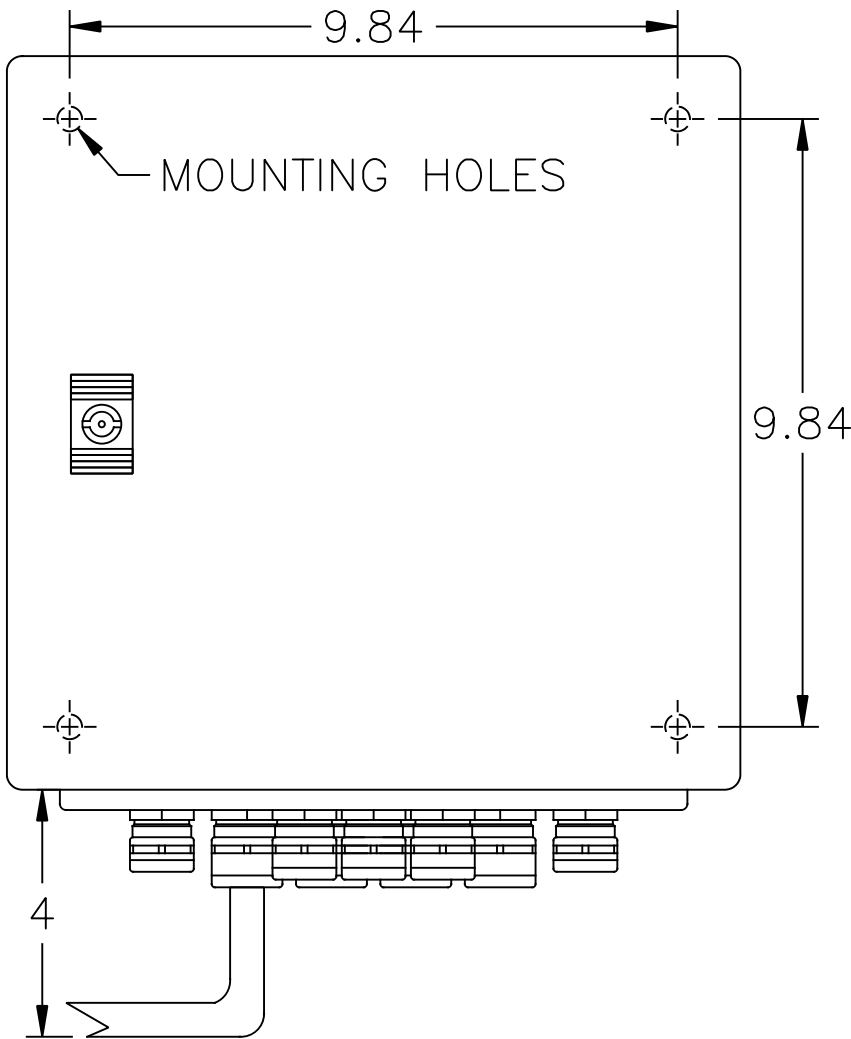




iMOTION™ TN 110 IN-FLOOR SWING DOOR OPERATOR CONTROL BOX

JOB NAME: _____ DATE: _____

DOOR LOCATION: _____ DOOR NO: _____ SHEET ____ OF ____



WITH CONTROL BOX DOOR FULLY OPENED = 17" FROM BACK OF BOX TO FRONT OF OPEN DOOR

SCALE: 1:1