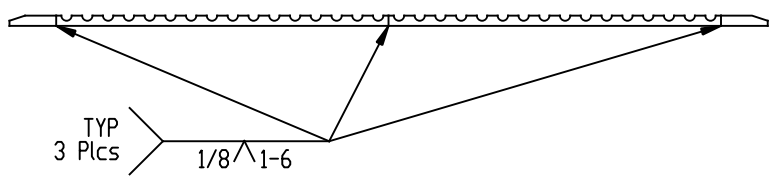
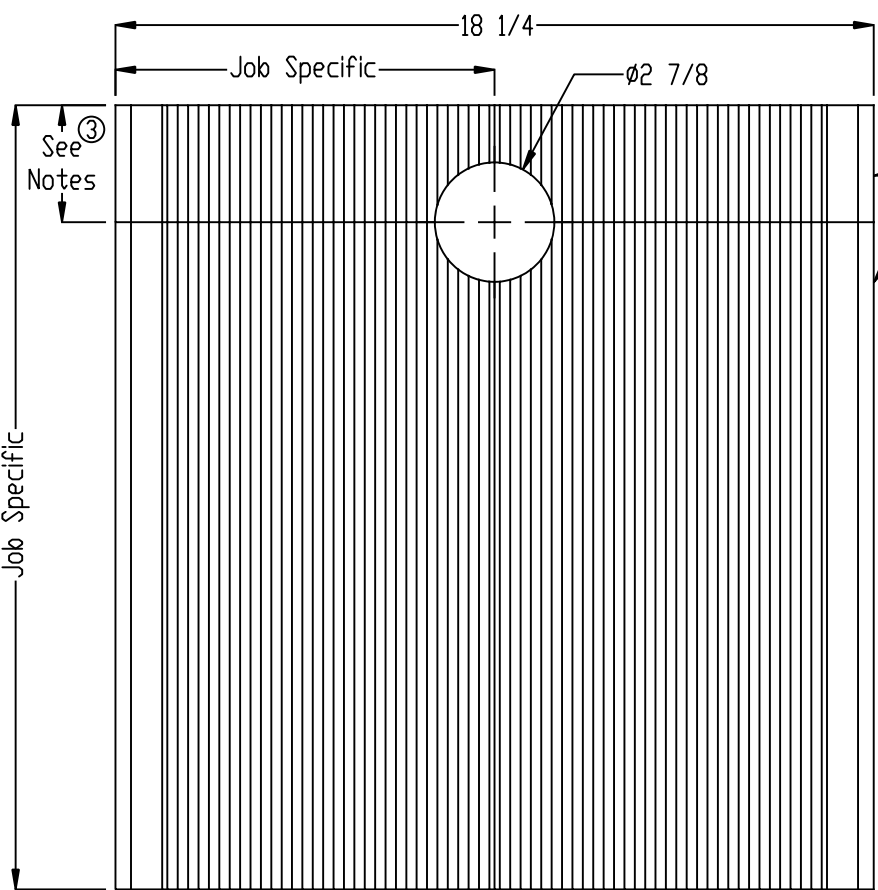
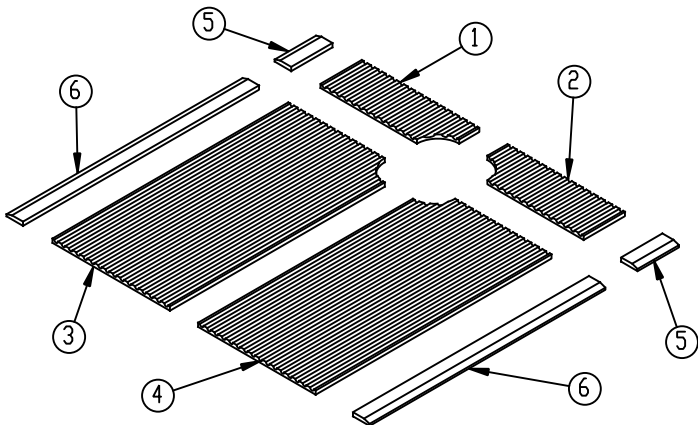


JOB NAME: _____ DATE: _____
 DOOR LOCATION: _____ DOOR NO: _____ SHEET _____ OF _____

For easy access to operator without having to remove the door, a two-piece threshold is optional but not required



Notes:
 1) Requires Tormax Stainless Steel Cover Plate PN: US801364
 2) PEMKO Components to be furnished by Customer.
 3) Minimum 2-13/16" required to conceal the operator box. A pivot offset of less than 2-13/16" will position the operator box under the door jamb and will require trimming the threshold to wrap around the jamb.

ITEM NO.	PART NUMBER	DESCRIPTION	QTY
1	Pemko 228_	PEMKO 228 (1/4"H x 8"W T'hold) - LH Short	1
2	Pemko 228_	PEMKO 228 (1/4"H x 8"W T'hold) - RH Short	1
3	Pemko 228_	PEMKO 228 (1/4"H x 8"W T'hold) - LH Long	1
4	Pemko 228_	PEMKO 228 (1/4"H x 8"W T'hold) - RH Long	1
5	Pemko 196_	PEMKO 196 (1/4"H x 1-1/8"W T'hold Ramp)	2
6	Pemko 196_	PEMKO 196 (1/4"H x 1-1/8"W T'hold Ramp)	2