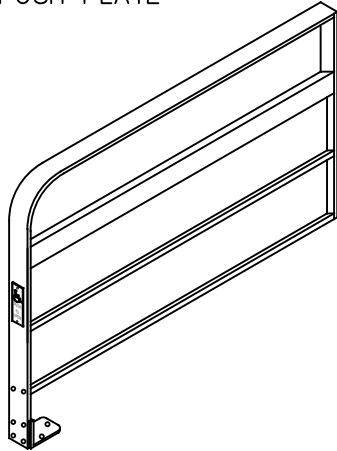


JOB NAME: _____ DATE: _____

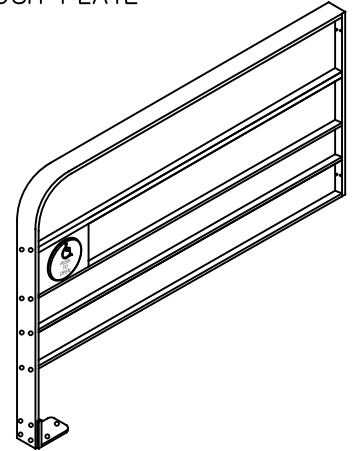
DOOR LOCATION: _____ DOOR NO: _____ SHEET ___ OF ___

ALUMINUM RAIL WITH PUSH PLATE



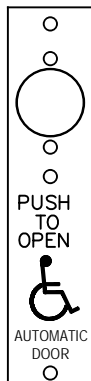
AVAILABLE AS HARDWIRE OR
 RADIO CONTROL (WIRELESS)

ALUMINUM RAIL WITH PUSH PLATE



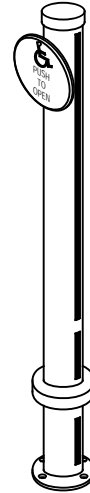
AVAILABLE AS HARDWIRE OR
 RADIO CONTROL (WIRELESS)

STAINLESS STEEL POST WITH PUSH BUTTON
 x 38" H



AVAILABLE AS HARDWIRE OR
 RADIO CONTROL (WIRELESS)

STAINLESS STEEL POST WITH PUSH PLATE
 x 38" H



AVAILABLE AS HARDWIRE OR
 RADIO CONTROL (WIRELESS)

ALUMINUM POST WITH PUSH PLATE
 4" D x 6" W x 40" H



AVAILABLE AS HARDWIRE OR
 RADIO CONTROL (WIRELESS)

INSTALLATION CRITERIA

- ANSI 156.10: MIN 15", MAX 48"
 ANSI 156.19: MIN 34", MAX 48"
- INSTALLATION DISTANCE – 12'-0"
 MAX. FROM CENTER OF DOOR
 (SEE PAGE 5.1.1 FOR DETAILS)
- INSTALLED WITHIN VIEW OF
 AUTOMATIC DOOR

NOTES:

- 1.) ALUMINUM POSTS AND RAILS AVAILABLE IN
 POWDER COAT PAINTED CLEAR OR DARK
 BRONZE FINISH.
- 2.) STAINLESS STEEL POST ASSEMBLIES
 AVAILABLE IN EITHER SURFACE MOUNT OR
 RECESSED.
- 3.) FACE PLATES ARE AVAILABLE WITH
 STANDARD ENGRAVING, HLPTO, PTO, HL
 & PLAIN.