

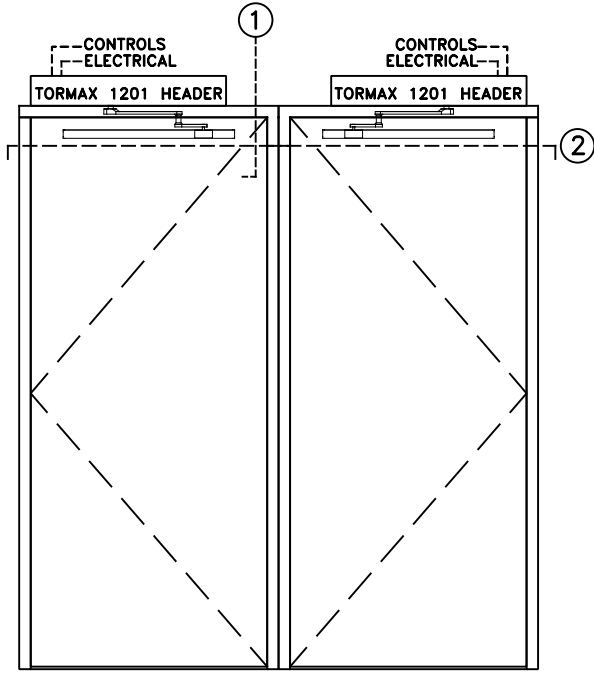


# TORMAX 1201 SWING DOOR OPERATOR

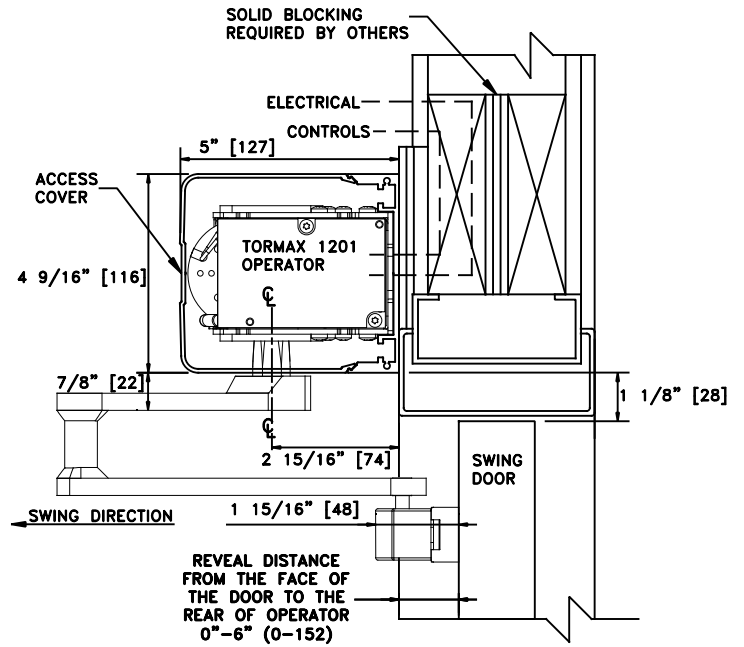
SIMULTANEOUS PAIR, VISIBLE INSWING  
CENTER PIVOT NON-PANIC APPLICATION

JOB NAME: \_\_\_\_\_ DATE: \_\_\_\_\_

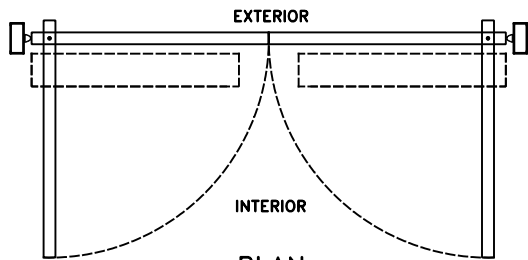
DOOR LOCATION: \_\_\_\_\_ DOOR NO: \_\_\_\_\_ SHEET \_\_\_\_\_ OF \_\_\_\_\_



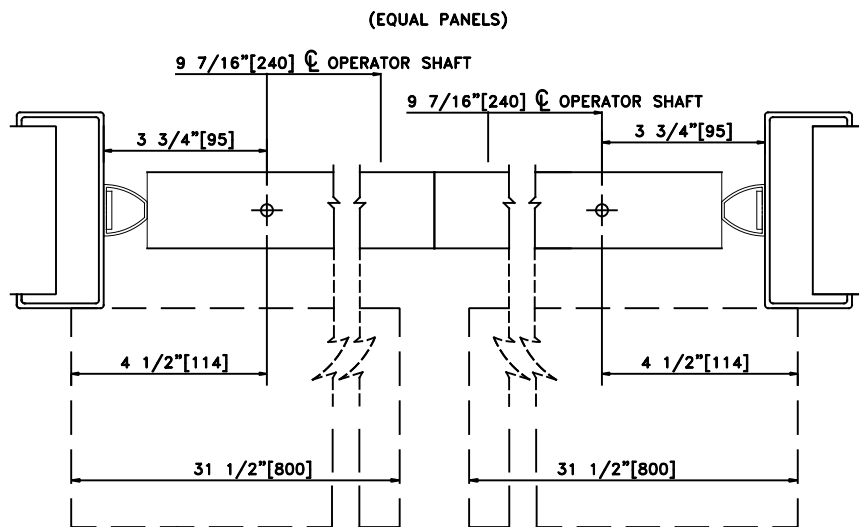
ELEVATION



① VERTICAL SECTION



PLAN



② HORIZONTAL SECTION

- NOTES:
1. DETAILS NOT TO SCALE.
  2. ELECTRICAL REQUIREMENTS:  
120VAC, SAMPS MIN. TO OPERATOR BY ELECTRICAL CONTRACTOR.
  3. DOORS, FRAMES AND HARDWARE BY OTHERS.
  4. 32" CLEAR DOOR OPENING REQUIRED TO MEET A.D.A. REQUIREMENTS.
  5. DOORS MUST BE NON-LATCHED FOR PROPER OPERATION.
  6. OPERATOR HEADER IS AVAILABLE FOR FULL WIDTH DOOR APPLICATIONS.
  7. OPERATOR CAN BE CONFIGURED TO MEET ANSI STANDARDS A156.10 & ANSI A156.19
  8. DOOR CLOSED STOP REQUIRED BY OTHERS FOR INSWING DOORS.