



General Contractors

Tormax iMotion[®]
TN 110 In-Floor Swing Door Drive
For Slender Profile Door Rails

Installation/Facilitation Guidelines

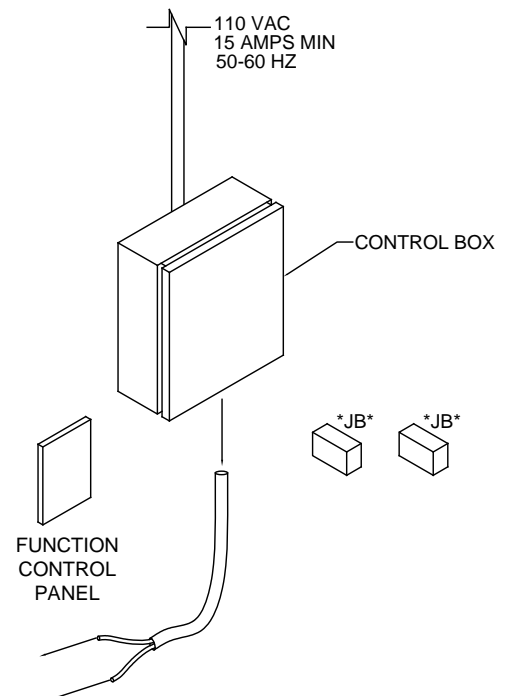
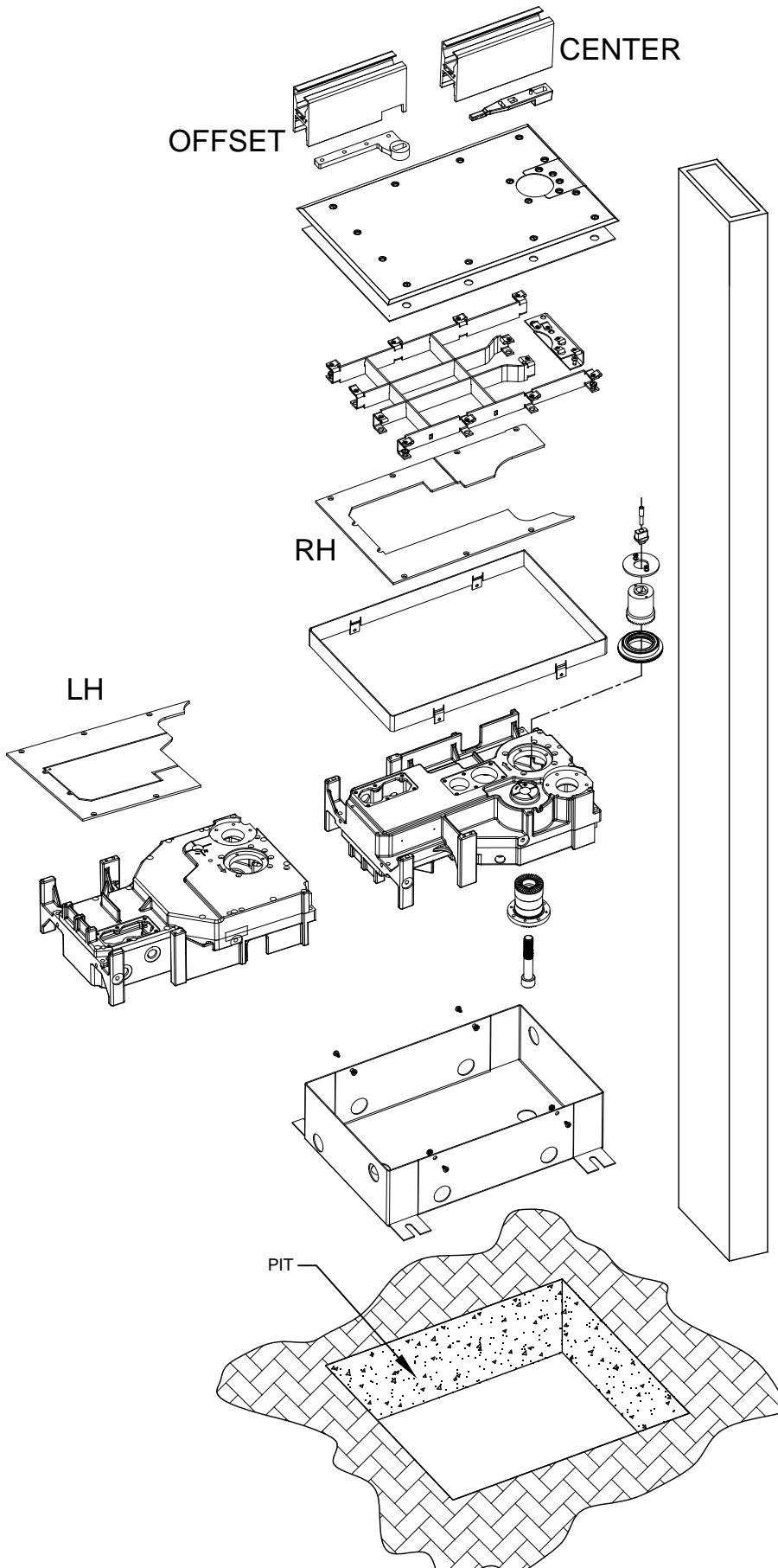
Center & Offset Pivot Application
- Surface Mounted Box

Table of Contents

<i>Assembly/Installation</i>	<i>1</i>
<i>Electrical</i>	<i>2-3</i>
<i>Pit Preparation</i>	<i>4</i>

NOTES:
 REFER TO US802355 (MANUAL) FOR
 INSTALLATION DETAILS

* * - INDICATES COMPONENT IS
 JOB SPECIFIC OR OPTIONAL





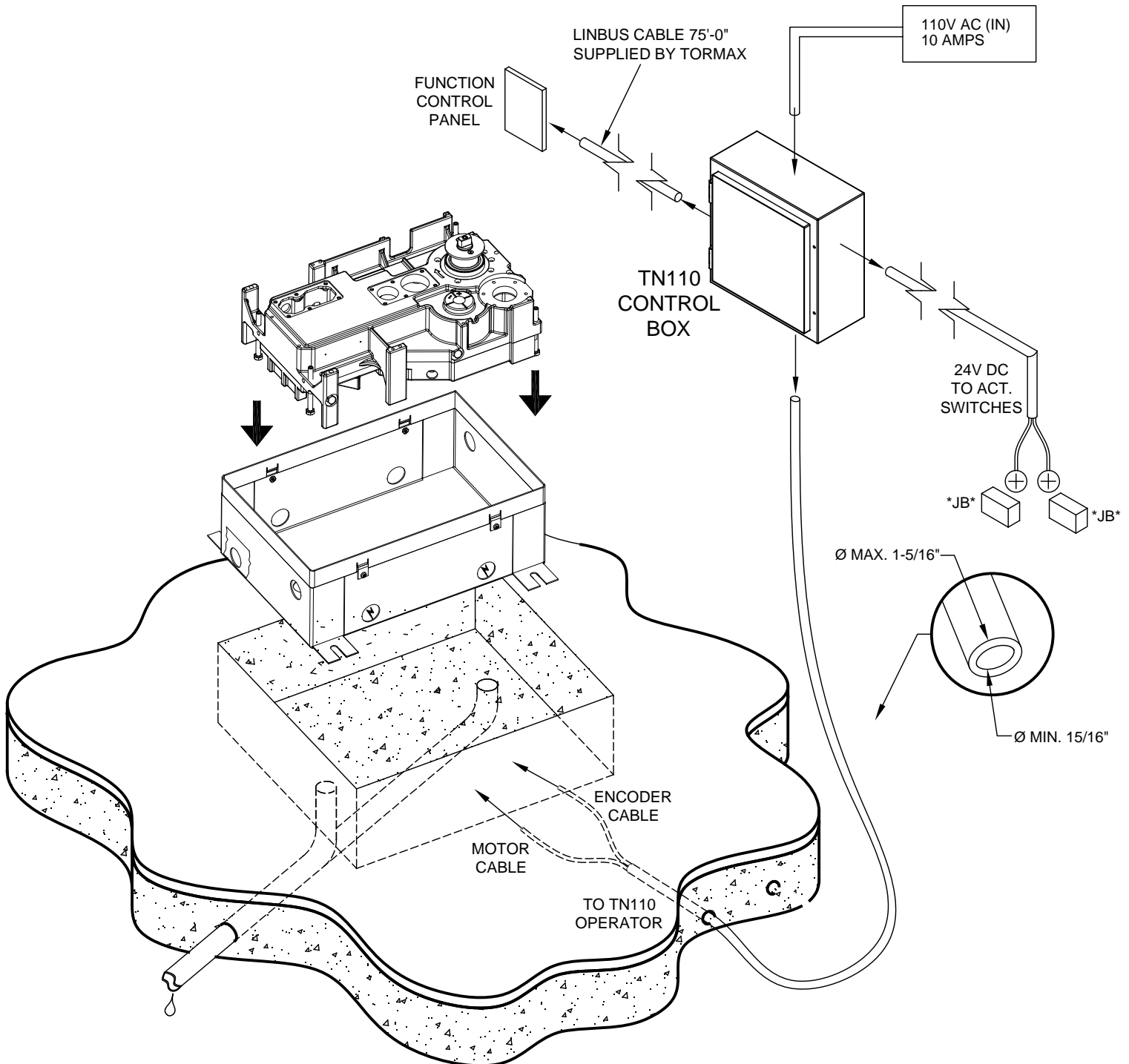
ELECTRICAL DETAILS

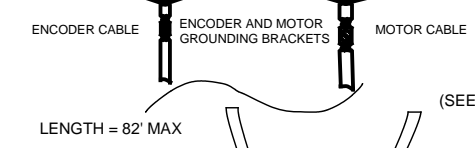
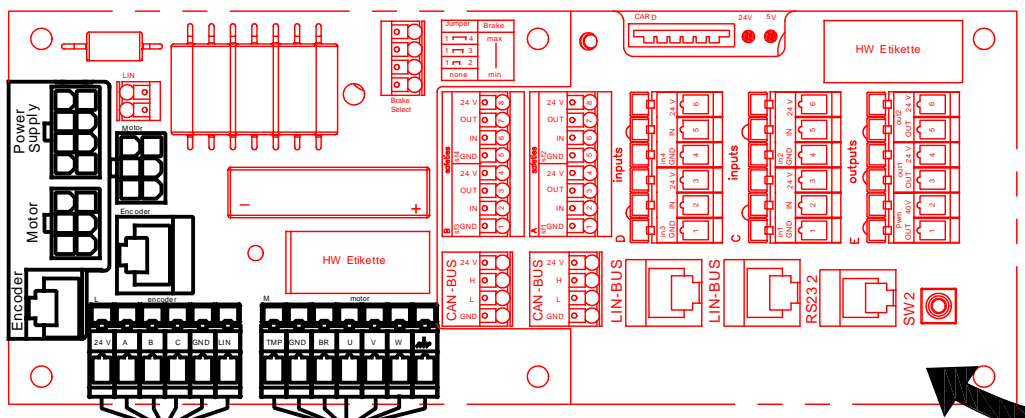
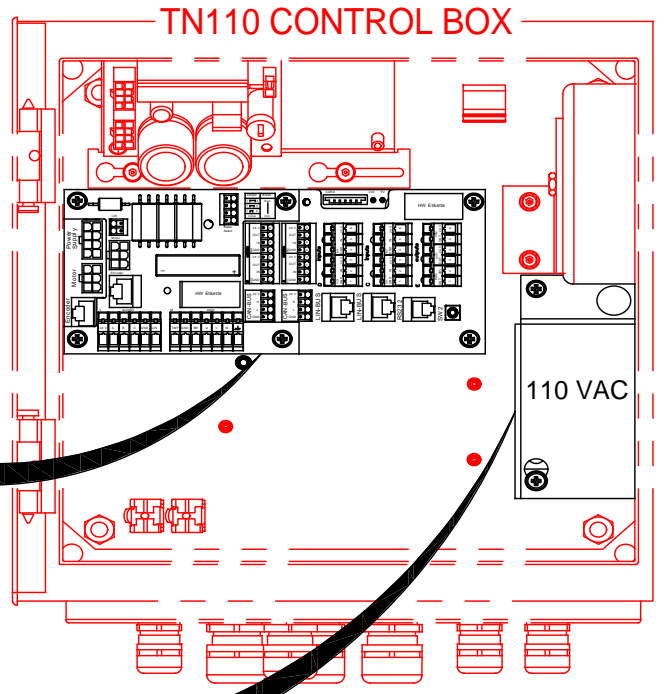
NOTES:

- (1) " * " INDICATES JOB SPECIFIC. CONSULT GC FOR FURTHER DETAILS.
- (2) REF NEXT PAGE (ELECTRICAL DETAILS, SHT 3) FOR WIRING DETAILS.
- (3) REF TN110 OPERATION MANUAL (P/N: US801461) FOR ADDITIONAL INFORMATION.
- (4) INSTALLATION AND WIRING PRACTICES MUST COMPLY WITH LOCAL CODES.

KEY

-  ACCESSIBLE HOLE FOR WIRING
-  NOT ACCESSIBLE

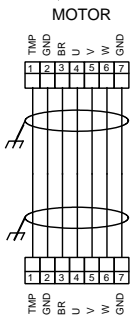
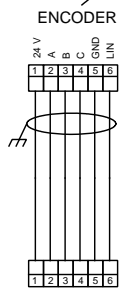
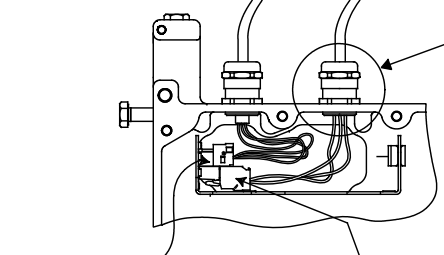
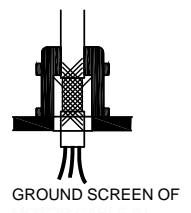




(SEE CABLE PLAN FOR CONDUIT SPECIFICATIONS)

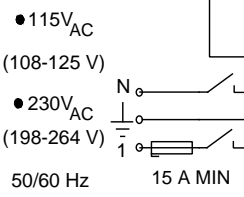
CHECK CORRECT POSITION OF VOLTAGE SELECTOR

DO NOT GROUND SHIELD OF ENCODER CABLE AT THE OPERATOR

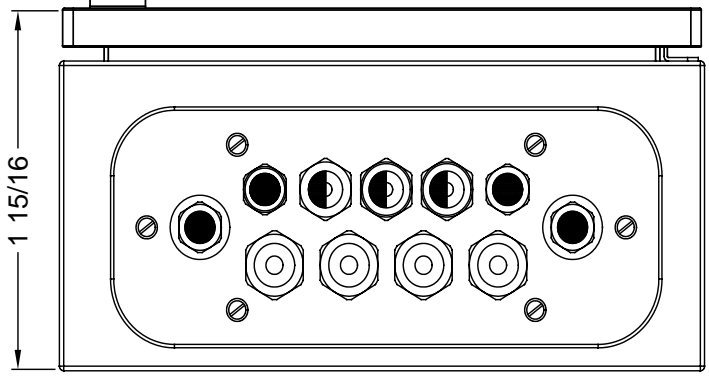


PN: US801378
20 AWG, SHIELDED,
6 CONDUCTOR, STRANDED WIRE.
MAX 82'

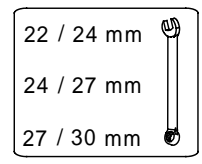
PN: US801379
14 AWG, SHIELDED,
7 CONDUCTOR, STRANDED WIRE
MAX 82'



BOTTOM VIEW OF CONTROL BOX



- CABLE Ø 5/16"
- CABLE Ø 11/32"
- CABLE Ø 15/32"
- CABLE Ø 1 5/16"






PIT PREPARATION DETAILS

NOTES:

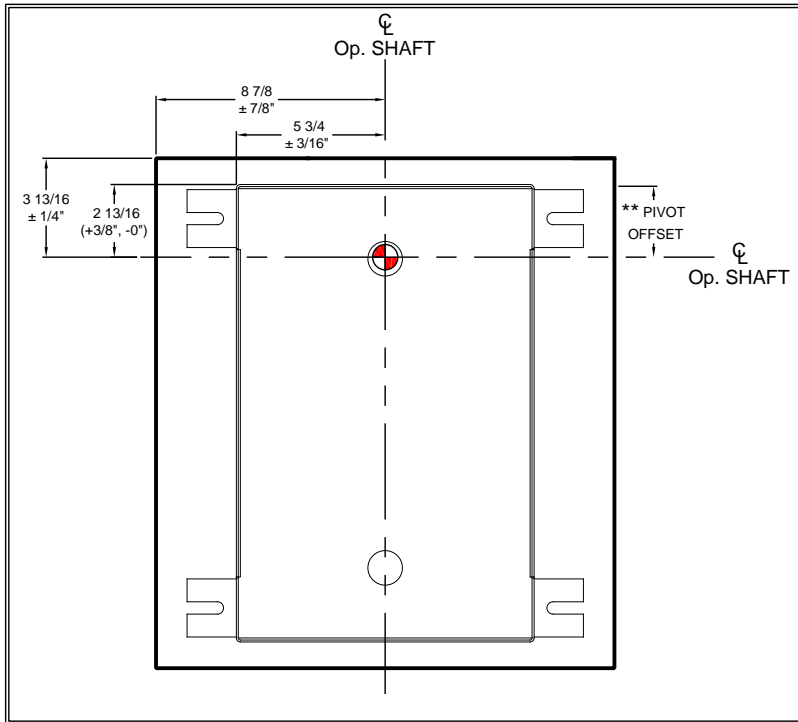
- (1) ENSURE PROVISIONS FOR WEEP DRAIN AND ELECTRICAL WIRING HAVE BEEN MADE PRIOR TO FILLING THE PIT WITH MORTAR.
- (2) WEEP DRAIN MUST BE INSTALLED OR MANUFACTURER'S WARRANTY WILL BE VOID.
- (3) WEEP DRAIN HARDWARE TO BE PROVIDED BY GC. WEEP DRAIN INSTALLATION & LOCATION OF TERMINATION MUST COMPLY WITH CITY AND/OR STATE CODES.

** JOB SPECIFIC DIMENSION

KEY

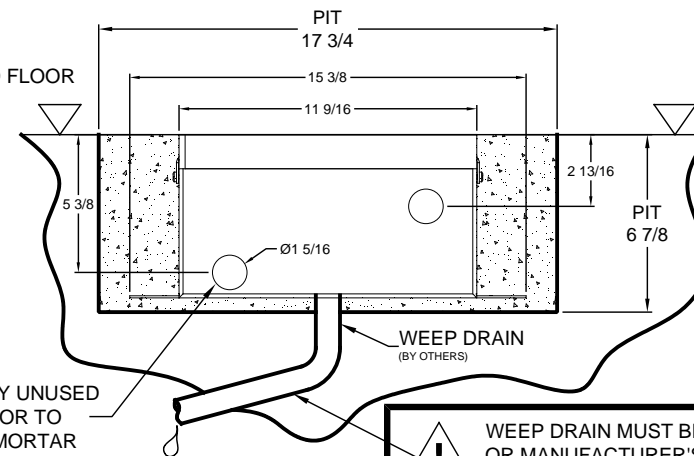
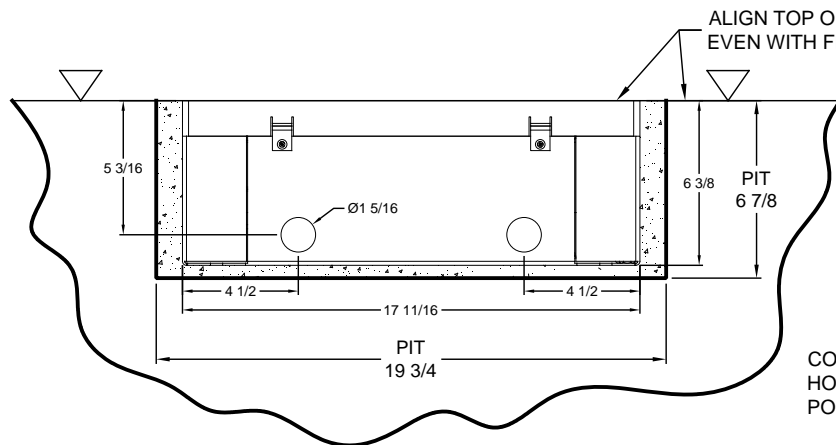
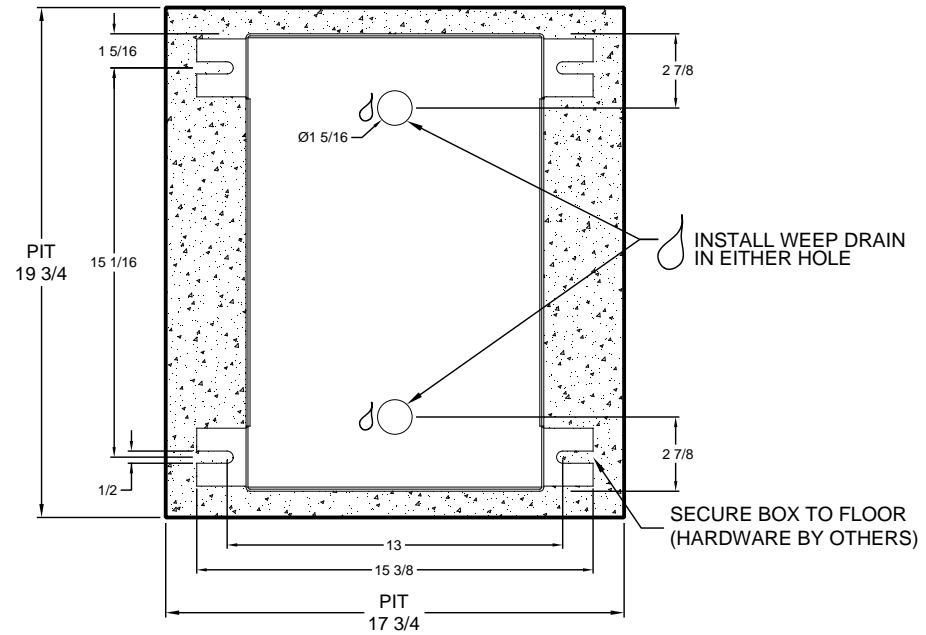
-  FINISHED FLOOR
-  POSSIBLE WEEP DRAIN
-  OPERATOR SHAFT

BOX / OPERATOR LOCATION TOLERANCES



PIT DIMENSIONS

19-3/4" L x 17-3/4" W x 6-7/8" D



! WEEP DRAIN MUST BE INSTALLED OR MANUFACTURER'S WARRANTY WILL BE VOID.