



TORMAX

AUTOMATIC

TDA-100

TDA-200

PARTS CATALOGUE

TORMAX USA INC.

12859 Wetmore Rd.
SAN ANTONIO, TX 78247
(210) 494-3551
(210) 494-5930 [FAX]

v1.05

★★★★★
TORMAX
 AUTOMATIC



STD.DPA - (0 - 3½" REVEAL)
 STD.EPA - (3½" - 6¾" REVEAL)
 INSWING PARALLEL ARM ASSEMBLY



STD.D1 - (-1¾" - 2½" REVEAL)
 STD.E1 - (2" - 6½" REVEAL)
 STD.F1 - (6" - 9½" REVEAL)
 OUTSWING DOOR ARM ASSEMBLY
 (BTM OF HEADER TO CL OF SHOE 1¼")



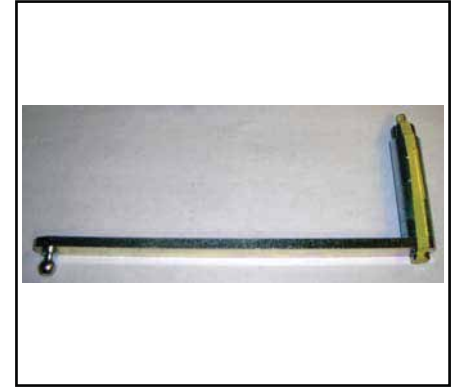
STD.DH1 - (-1¾" - 2½" REVEAL)
 STD.EH1 - (2" - 6½" REVEAL)
 STD.FH1 - (6" - 9½" REVEAL)
 OUTSWING DOOR ARM ASSEMBLY
 (BTM OF HEADER TO CL OF SHOE 2⅝")



141046 - LEFT HAND
 140911 - RIGHT HAND
 INSWING BUTT HUNG DOUBLE
 EGRESS DOG LEG ARM (0-8" REVEAL)



STD.GH1 - INSWING DOOR ARM
 & TRACK ASSEMBLY (0" REVEAL)
 STD.GS5 - TRACK ASSEMBLY



US800364
 DOUBLE EGRESS MAIN LEVER
 OUTSWING



STD.VGD
 OUTSWING ARM LINKAGE
 (-1¾ - 2½")



STD.VGE
 OUTSWING ARM LINKAGE
 (2 - 6½")



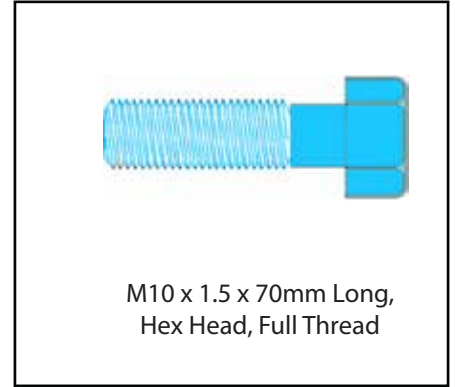
STD.VGF
 OUTSWING ARM LINKAGE



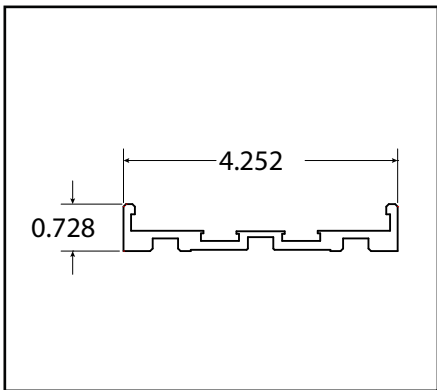
STD.PAN
 INSWING PANIC BREAKAWAY
 MECHANISM



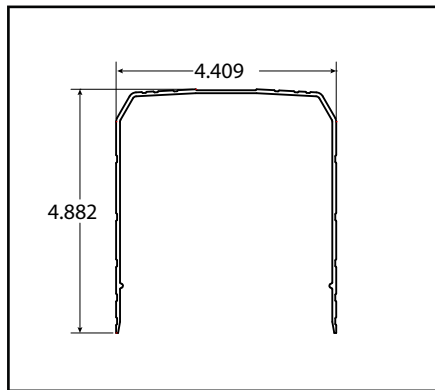
TID.345026
 TDA 100 OUTPUT SHAFT



M10 x 1.5 x 70mm Long,
 Hex Head, Full Thread
 140240
 TDA SHAFT EXTRACTION BOLT



140100-08
 MOUNTING PLATE EXTRUSION
 MILL FINISH (14'9" LENGTH)



140099-00
 TDA COVER EXTRUSION
 (14'9" LENGTH)



140180 - (NO PREP)
 140179 - (PREP)
 HEADER END CAP - BLACK



140178
 TDA OPERATOR SLOT COVER



KAP.0001
 TDA MOTOR-GEAR-UNIT
 (WITHOUT ENCODER)



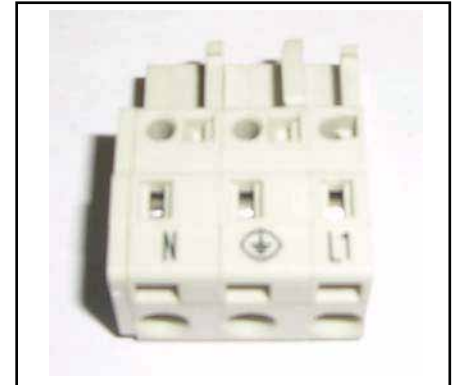
EAP.0005
 CLOSING SPRING



EEP.0001
 ENCODER
 (WITHOUT DISK AND CABLE)



JEP.0002
 POWER SUPPLY



140676
 MAINS PLUG



140177
 SIDE PLATES -
 CONTROL MOUNTING BOX



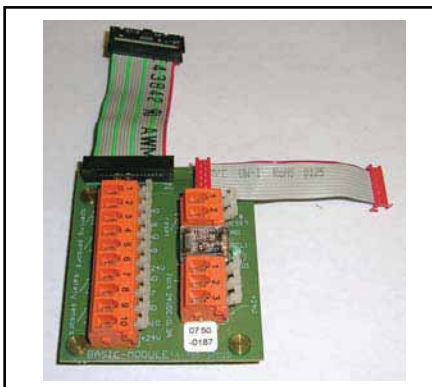
KEP.0001
 TCP.52 CONTROL



EAP.0013
 MOUNTING PLATE -
 TDA MODULES



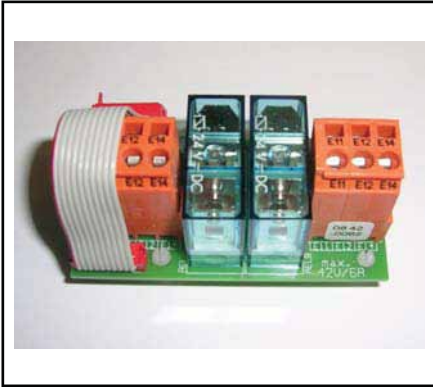
SAM.AVK
 EXTENSION CABLE FOR
 TCP.52 CONTROL



JEP.0001
 BASIC MODULE



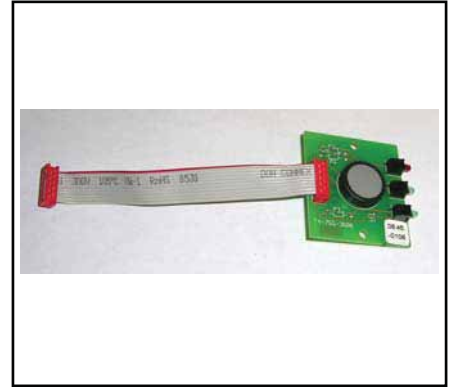
SAM.TDAB
 TDA B-MODULE



SAM.TDAE
 TDA E-MODULE



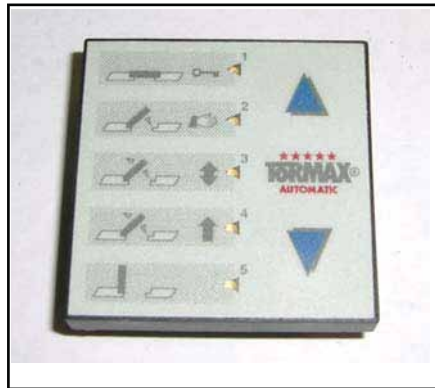
SAM.TDAF
 TDA F-MODULE



JEP.0003
 3-POS FUNCTION SWITCH



110003
 5-POS FUNCTION CONTROL PANEL
 ASSEMBLY - FLUSH MOUNT



140262
 5-POS FUNCTION CONTROL PANEL



110004
 5-POS FUNCTION CONTROL PANEL
 ASSEMBLY - SURFACE MOUNT



US801556
 MOUNTING PLATE
 FUNCTION CONTROL PANEL



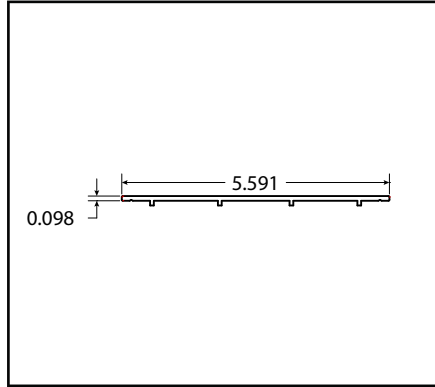
US801557
 COVER PLATE
 FUNCTION CONTROL PANEL



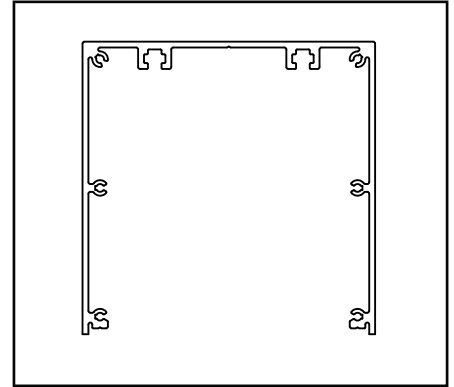
US801558
 SURFACE MOUNT BOX
 FUNCTION CONTROL PANEL



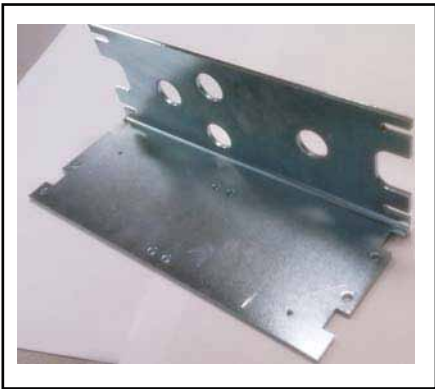
140185
 10 CONDUCTOR SHIELDED CABLE



SDA.K45E
 TDA 100 OHC COVER PLATE



SDA.K45E
 TDA 100 OHC HEADER



140731
 OHC OPERATOR MOUNTING
 BRACKET (TDA SERIES 100)



140730
 OHC CONTROL BOX MOUNTING
 BRACKET (TDA SERIES 100)



STD.PKI (349331)
 TDA-KI PANIC BREAKAWAY
 LATCH



348560
 AXIUM END LOAD TOP DOOR
 ARM & SPACER BAR



348605
 AXIUM FLOOR PIVOT TDA KI



110743
 TTX DOOR STOP ASSY

★★★★★
TORMAX
 AUTOMATIC



140284
 DECAL - 2 SIDED
 "AUTO DR ACT SWT TO OP"



140283
 AUTOMATIC DOOR CAUTION
 DECAL



390.9359
 TORMAX LOGO DECAL



US800865
 LOW ENERGY SAFETY CHECK
 DECAL - SWING DOORS



140407
 TDA DAILY SAFETY CHECK
 DECAL - SWING DOORS



141031
 DO NOT ENTER
 DECAL - 2 SIDED



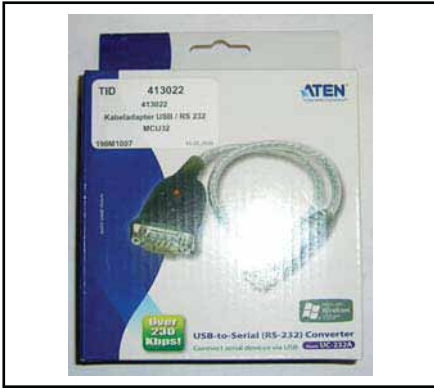
141030
 ARROW DECAL - 2 SIDED
 US801470
 BI- DIRECTIONAL ARROW



US801204
 ADA ACCESSIBLE DECAL



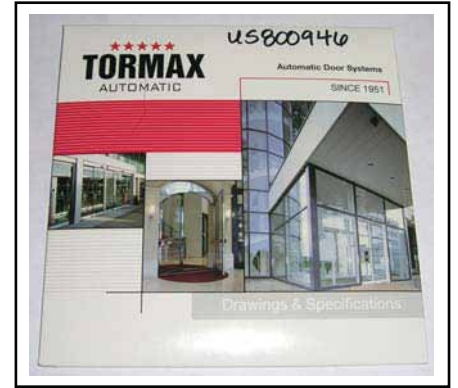
120511 - SINGLE APPLICATION
 120510 - PAIR APPLICATION
 TDA INSTALL & DECAL PACKAGE



US800944
SERSOFT USB CABLE



US800945
SERSOFT 9-PIN INTERFACE CABLE



US800946
SERSOFT SOFTWARE CD



US800943
SERSOFT KIT
(CD, USB AND CONNECTOR CABLES)