



TORMAX

AUTOMATIC

TTX-II

PARTS CATALOGUE

TORMAX USA INC.

12859 Wetmore Rd.
SAN ANTONIO, TX 78247
(210) 494-3551
(210) 494-5930 [FAX]

v1.07



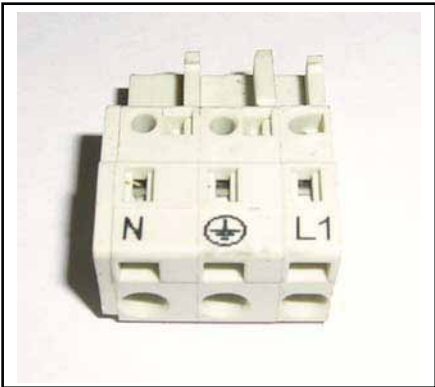
141022-UL
 TTX II COMPLETE OPERATOR
 US800916
 TTX II REBUILT OPERATOR (IN WARRANTY)



404792
 TTX II REPLACEMENT CONTROLLER



406079
 TTX II COMMUNICATION LINK V1.4
 (SIM PR & DBL EGRESS APPLICATION)



140676
 MAINS POWER PLUG



332362
 TTX II FUSE T5A -
 CONTROLLER (10 PER PKG)



JEP.0002
 TTX II POWER SUPPLY
 (BOTTOM & SIDE LOAD)



140841
 TTX II POWER CORD
 (BOTTOM LOAD)



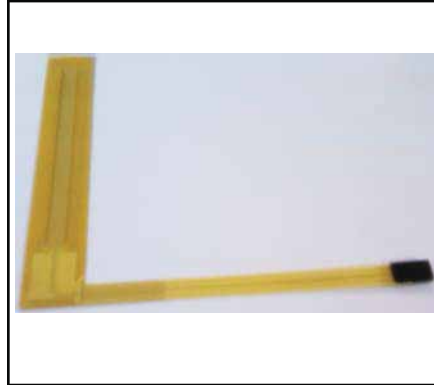
US800588
 STATIC DRAIN HARNESS ASSY.
 (BOTTOM AND SIDE LOAD)



404762
 TTX II REPLACEMENT MOTOR



US800712
 TTX II ENCODER EXTENSION
 HARNESS ASSEMBLY (BOTTOM LOAD)



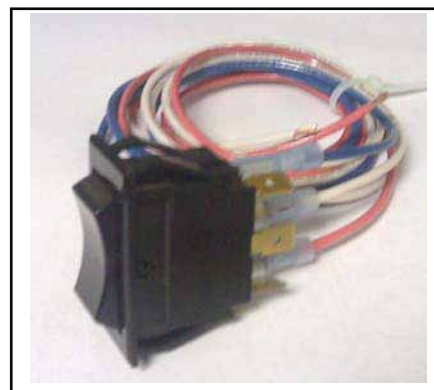
US801642
 TTX II ENCODER



US801641
 BALL PLUNGER-ENCODER



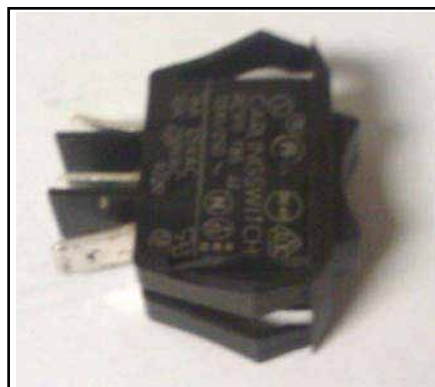
141154
 (TTX II/1301) ON/OFF/HOLD OPEN
 SWITCH WITH HARNESS
 (SIDE LOAD)



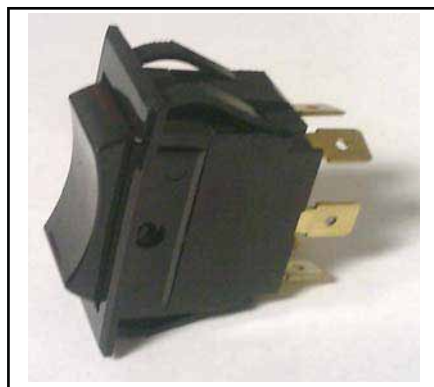
US800341
 OLD STYLE TTX II 3-POSITION DPDT
 ON/OFF/HO SWITCH WITH HARNESS
 (ONLY USED WITH DPDT RELAY, SIDE LOAD)



US800714 - TTX II ON/OFF/HO
 SWITCH ASSEMBLY (BOTTOM LOAD)
 US800713 - TTX II ON/OFF/HO
 SWITCH ONLY (BOTTOM LOAD)



140196
 (TTX II/1301) ON/OFF/HOLD OPEN
 ROCKER SWITCH
 (SIDE LOAD)



140498
 OLD STYLE TTX II 3-POSITION
 DPDT ON/OFF/HOLD OPEN SWITCH
 (ONLY USED WITH DPDT RELAY, SIDE LOAD)



US800703 - PC BOARD STAND OFFS
 US800711 - NYLON HOLE PLUG
 (BOTTOM LOAD)

★★★★★
TORMAX
 AUTOMATIC



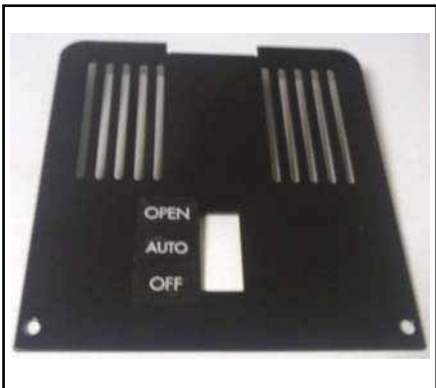
US801322
 BEA Br3 LOGIC MODULE



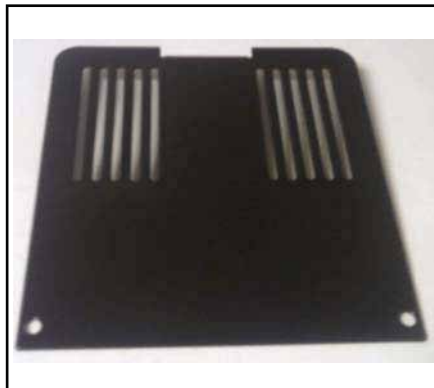
24 vAC
 TRANSFORMER



111165
 24VDC DPDT RELAY
 (TTX BODYGUARD & PR APPL.)



US800443
 TTX II END W/ DPDT SWITCH CUTOUT
 (SIDE LOAD)



140880
 TTX I/II HEADER END CAP
 (W/O SWITCH CUT-OUT, BLACK)
 (SIDE LOAD)



140881
 TTX I/II HEADER END CAP
 (WITH SWITCH CUT-OUT, BLACK)
 (SIDE LOAD)



141151
 (TTX II/1301) PLASTIC SPINDLE
 RING-SPINDLE CUTOUT (SIDE LOAD)



141150
 (TTX II/1301) PLASTIC COVER PLATE
 DUMMY SPINDLE CUTOUT
 (SIDE LOAD)

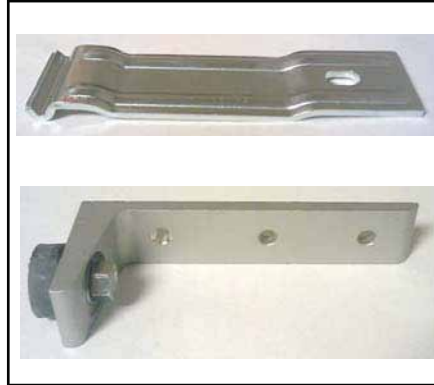


141047
 TTX II MOTOR "V" BELT

★★★★★
TORMAX
 AUTOMATIC



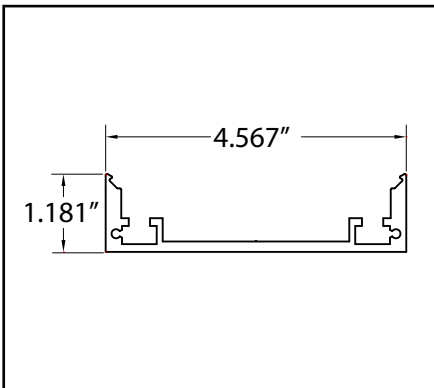
141152
 TTX II OPERATOR CLAMP
 (SIDE LOAD)



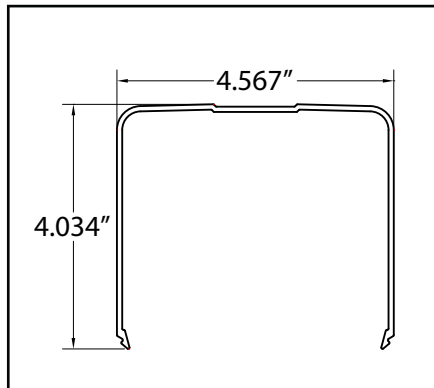
US800477 - TTX II CHASSIS
 BRACKET (BOTTOM LOAD)
 110743 - ARM STOP
 (CLEAR FINISH ONLY)



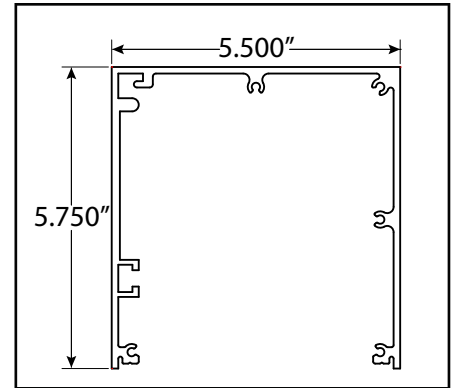
141153
 TTX II RUBBER ISOLATION PAD -
 OPERATOR CLAMP (SIDE LOAD)



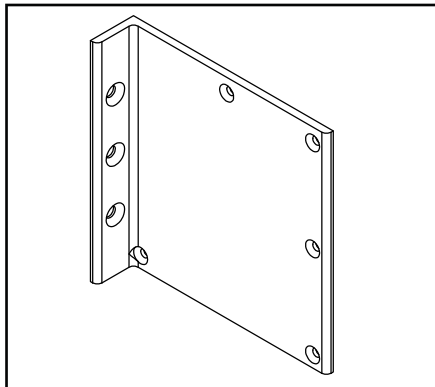
140198-01288 (CLEAR)
 140198-02288 (DARK BRONZE)
 TTX BACKPLATE - PER/FT
 (SIDE LOAD)



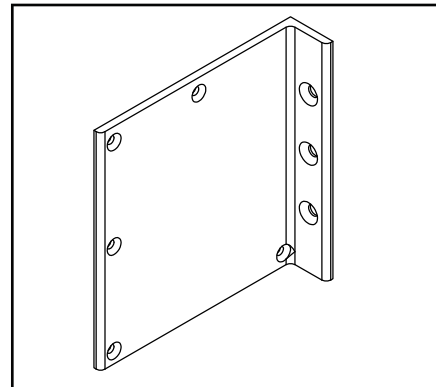
140197-01288 (CLEAR)
 140197-02288 (DARK BRONZE)
 TTX COVER - PER/FT
 (SIDE LOAD)



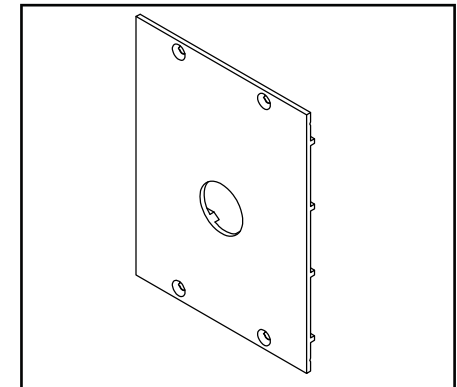
US800473-01 (CLEAR FINISH)
 US800473-02 (DARK BRONZE)
 EXT TTX II HEADER - PER/FT
 (BOTTOM LOAD)



US800701-01 (CLEAR FINISH)
 US800701-02 (DARK BRONZE)
 TTX II LEFT-HAND END BRACKET
 (BOTTOM LOAD)

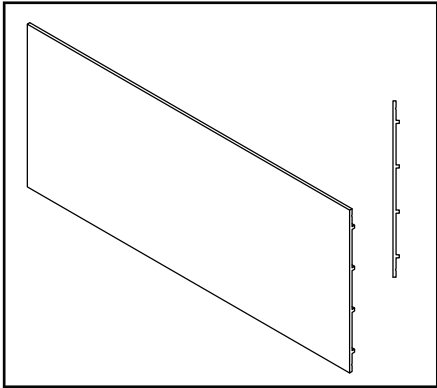


US800702-01 (CLEAR FINISH)
 US800702-02 (DARK BRONZE)
 TTX II RIGHT-HAND END BRACKET
 (BOTTOM LOAD)



US800470-01 (CLEAR FINISH)
 US800470-02 (D.B. FINISH)
 TTX II BOTTOM LOAD
 SPINDLE COVER PLATE

★★★★★
TORMAX
 AUTOMATIC



US800474-01 (CLEAR FINISH)
 US800474-02 (DARK BRONZE)
 EXT TTX II COVER PLATE - PER/FT
 (BOTTOM LOAD)



US801290 - BLACK COVER
 (TTX/1301)OUT DOOR ARM
 ATTACHMENT BRACKET C/W COVER



US801291 - GREY COVER
 (TTX/1301)OUT DOOR ARM
 ATTACHMENT BRACKET C/W COVER



US800694 - BLACK COVER
 (TTX II/1301) INSWING DOOR ARM
 SLIDE BLOCK ASSEMBLY.



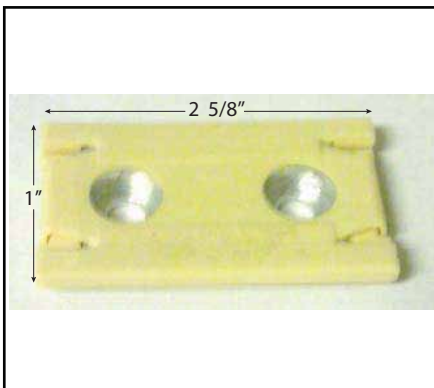
US801300 - GREY COVER
 (TTX II/1301) INSWING DOOR ARM
 SLIDE BLOCK ASSEMBLY.



US801303 - BLACK COVER
 (TTX II/1301) INSWING DOOR ARM
 SLIDE BLOCK ASSY C/W COVER



US801302 - GREY COVER
 (TTX II/1301) INSWING DOOR ARM
 SLIDE BLOCK ASSY C/W COVER



US801301
 (TTX II/1301) SLIDE BLOCK PLASTIC
 INSERT (INSWING DOOR ARM)



US801292 - BLACK FINISH
 US801293 - CLEAR FINISH
 (TTX II/1301) DOOR TRACK (25 19/32")



408368 - CLEAR FINISH
 405068 - BLACK FINISH
 (TTX II/1301) OUTSWING DOOR ARM
 (0" - 4³/₁₆" REVEAL)



408369 - CLEAR FINISH
 405648 - BLACK FINISH
 (TTX II/1301) OUTSWING DOOR ARM
 (4¹/₈" - 9⁷/₈" REVEAL)



US801323 - CLEAR FINISH
 141195 - BLACK FINISH
 (TTX/1301) DBL EGRESS OUTSWING
 DOOR ARM (0" - 4³/₁₆" REVEAL)



US801324 - CLEAR FINISH
 141196 - BLACK FINISH
 (TTX II/1301) DBL EGRESS OUTSWING
 DOOR ARM (4¹/₈" - 9⁷/₈" REVEAL)



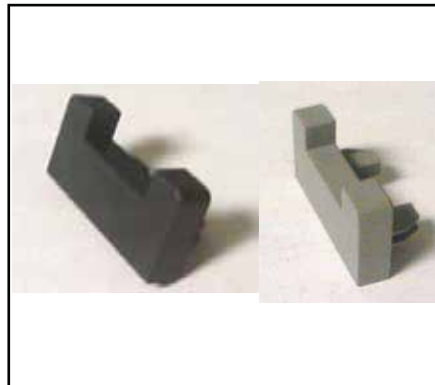
US801325 - CLEAR FINISH
 141133 - BLACK FINISH
 (TTX II/1301) RH INSWING DEEP
 REVEAL ARM AND TRACK (0" - 6" REVEAL)



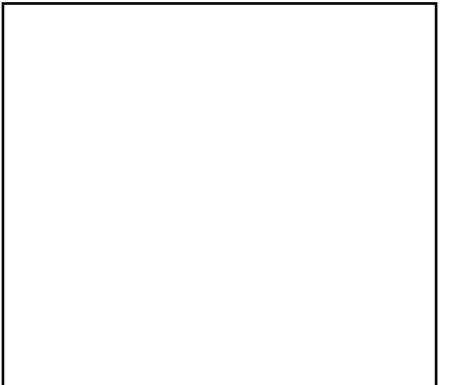
US801327 - CLEAR FINISH
 141134 - BLACK FINISH
 (TTX II/1301) LH INSWING DEEP REVEAL
 ARM AND TRACK (0" - 6" REVEAL)



408372 - CLEAR FINISH
 407456 - BLACK FINISH
 (TTX II/1301) INSWING DOOR ARM
 AND SLIDE TRACK



US801305 - BLACK CAP
 US801304 - GRAY CAP
 (TTX II/1301) END CAP-
 INSWING SLIDE TRACK



★★★★★
TORMAX
 AUTOMATIC



US801296 - CLEAR FINISH
 (TTX II/1301) OUTSWING DOOR
 ARM ADJ ELEMENT (0-4 3/16" REVEAL)



US801298 - BLACK FINISH
 (TTX II/1301) OUTSWING DOOR
 ARM ADJ ELEMENT (0-4 3/16" REVEAL)



US801297 - CLEAR FINISH
 (TTX II/1301) OUT SWING DOOR
 ARM ADJ ELEMENT (4 1/8 - 9 7/8" REVEAL)



US801299 - BLACK FINISH
 (TTX II/1301) OUTSWING DOOR
 ARM ADJ ELEMENT (4 1/8 - 9 7/8" REVEAL)



US801306 - CLEAR FINISH
 (TTX II/1301) OUTSWING DOOR
 DRIVE ARM LEVER



US801307 - BLACK FINISH
 (TTX II/1301) OUTSWING DOOR
 DRIVE ARM LEVER



US801294 - CLEAR FINISH
 (TTX II/1301) INSWING DOOR
 DRIVE ARM LEVER



US801295 - BLACK FINISH
 (TTX II/1301) INSWING DOOR
 DRIVE ARM LEVER



US800021 - CLEAR FINISH
 US801501 - BLACK FINISH
 C-CHANNEL ARM EXTENSION
 (SPECIAL APPLICATION)

★★★★★
TORMAX
AUTOMATIC



141020
(TTX II/1301)DRIVE ARM SHAFT
DBL EGR / DP REV IN - 2.65"
(SIDE LOAD)



141032
(TTX II/1301) DRIVE ARM SHAFT
STANDARD IN & OUT APPL. - 3.22"
(SIDE LOAD)



141106
(TTX II/1301) DRIVE ARM SHAFT 3.94
DOUBLE EGRESS OUT (SIDE LOAD)
DOUBLE EGRESS IN (BOTTOM LOAD)



US800704
TTX II ARM SHAFT
STANDARD OUT/IN - 4.5"
(BOTTOM LOAD)



141205
TTX II/1301) DRIVE ARM SHAFT
(SPECIAL APPLICATION 4.84")



US800715
TTX II DRIVE ARM SHAFT
DOUBLE EGRESS OUT - 5.22"
(BOTTOM LOAD)



US800689
TTX SHAFT SCREW
1"7/8



US800734 - DRESS PLATE SCREW
 FASTENER 6-32x3/8"
 FL HD THREAD FORMING MS
 (BLACK OXIDE, BOTTOM LOAD)



US800733 - DRESS PLATE SCREW
 FASTENER 6-32x3/8"
 FL HD THREAD FORMING MS
 (ZINC OXIDE, BOTTOM LOAD)



US800735 - END CAP SCREW
 FASTENER 10-24x3/4"
 FH PH THREAD RING MS
 (BLACK OXIDE, BOTTOM LOAD)



140737-03
 (TTX II/1301)#8 X 1/2" LARGE PAN HEAD
 PH SHEET METAL COVER SCREW
 (ZINC FINISH, SIDE LOAD)



140737-04 - #8 X 1/2" LARGE
 (TTX II/1301) PAN HEAD PH SHEET
 METAL END CAP & COVER SCREW



US800706 - END CAP SCREW
 FASTENER 10-24x3/4"
 LG PH FL HD THREAD ROLLING ZP MS
 (ZINC OXIDE, BOTTOM LOAD)



US801522
 5/16-18 HEX HD NUT
 FOR OPERATOR CLAMP
 (SIDE & BOTTOM LOAD)



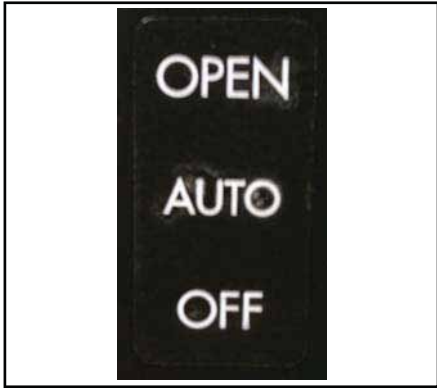
(BLACK FINISH, SIDE LOAD)

140242-10
 5/16" SPLIT LOCK WASHER
 FOR OPERATOR CLAMP
 (BOTTOM LOAD)



140292-37 - 5/16-18 x 3/4" (SIDE LOAD)
 140240-11 - 5/16-18 x 5/8" (BOTTOM LOAD)
 LG. SOC HD OPERATOR CLAMP SCREW

★★★★★
TORMAX
 AUTOMATIC



US800444
 OPEN/AUTO/OFF
 LABEL FOR SWITCH



390.9359 - TORMAX LOGO DECAL
 140284 - AUTO DR ACT SW TO OP



US800865
 LOW ENERGY SAFETY CHECK
 DECAL FOR SWING DOORS



121033
 TTX II INSTALLATION
 & DECAL PACKAGE - SINGLE APPL.
 (ASSEMBLY AVAILABLE)



121034
 TTX II INSTALLATION
 & DECAL PACKAGE - PAIR APPL.
 (ASSEMBLY AVAILABLE)



140283
 AUTOMATIC DOOR CAUTION
 US801204
 ADA ACCESSIBLE DECAL



140290 - PULL/PUSH TO OPERATE
 140291 - PUSH/PULL TO OPERATE