



TORMAX

AUTOMATIC

TX9000

PARTS CATALOGUE

INCLUDES:

- TCP/TXP DRIVE SYSTEMS
- iMOTION® DRIVE SYSTEMS
- ALL IP.65 DRIVE SYSTEMS

TORMAX USA Inc.

12859 WETMORE RD.
SAN ANTONIO, TX 78247
(210) 494-3551
(210) 494-5930 [FAX]

TABLE OF CONTENTS

CONTENT:

- UNIVERSAL COMPONENTS
- TCP SERIES ELECTRONICS
- iMOTION 2301/2401 ELECTRONICS
- POCKET-GLAZED COMPONENTS
- NON POCKET-GLAZED COMPONENTS
- IP.65 COMPONENTS
- JAMB CAMERA COMPONENTS
- EXTRUSIONS
- DECALS

PAGE:

- 1-8
- 9-13
- 14-17
- 18-19
- 20-22
- 23-24
- 25
- 26-30
- 31-33



US801558
 SURFACE MOUNT BOX
 FUNCTION CONTROL PANEL



140226
 LOCKOUT KEYSWITCH
 FUNCTION CONTROL PANEL



120080
 ON/OFF LOCK FLUSH MOUNT ASSY
 - FUNCTION CONTROL PANEL



US801557
 COVER PLATE
 US801556
 MOUNTING BRACKET
 FUNCTION CONTROL PANEL



US801618
 UL PLASTIC ENCLOSURE 4.3x3.1x2.6



US800392
 STAINLESS STEEL RAIN-COVER
 FOR IXIO/ 7501/ iONE XT SENSORS



US801636
 IXIO-DTI (MOTION/ PRESENCE SENSOR)
 US802001
 IXIO 19' PLUG-N-PLAY CABLE
 FOR IMOTION



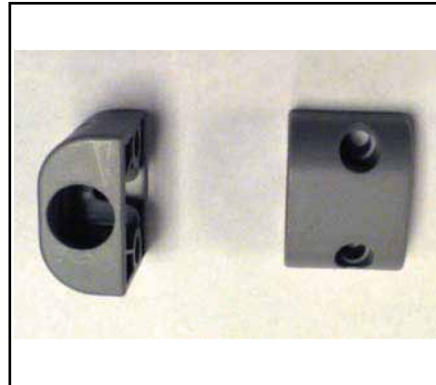
US802077
 7501 (MOTION/ PRESENCE SENSOR)
 US802213
 7501 19' PLUG-N-PLAY CABLE
 FOR IMOTION



US802150
 iONE XT (MOTION/ PRESENCE SENSOR)
 US802267
 iONE XT 19' PLUG-N-PLAY CABLE
 FOR IMOTION



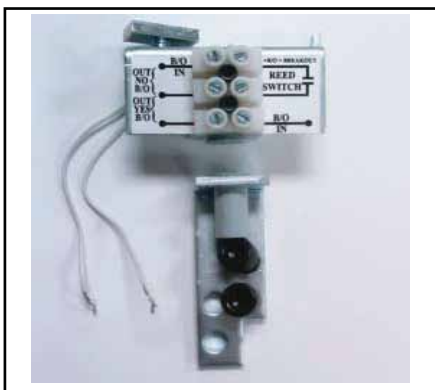
140712
 OS12 SAFETY BEAM
 SINGLE KIT



140745
 S/M SAFETY BEAM
 MOUNTING BRACKETS



US801314 - FUSE HOLDER
 332362-T5A FUSE (TEP/TLP2301/2401)
 US800864-T8A FUSE (TXP/2401)



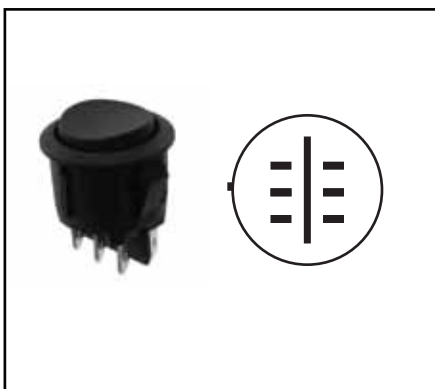
US801016
 DOOR STATUS SWITCH ASSY



140883
 9300 SO PANEL MAGNET
 140884
 SO PANEL MAG READ SWITCH



US800842 PROXIMITY SW N/O
 US800843 PROXIMITY MAGNET
 US801678 (CUSTOM USE)
 PROXIMITY SW & MAG N/C



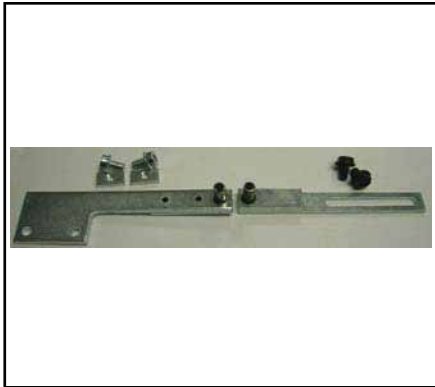
US802121
 3-POSITION ROCKER
 SWITCH DPDT



US802122
 2-POSITION ROCKER
 SWITCH DPST



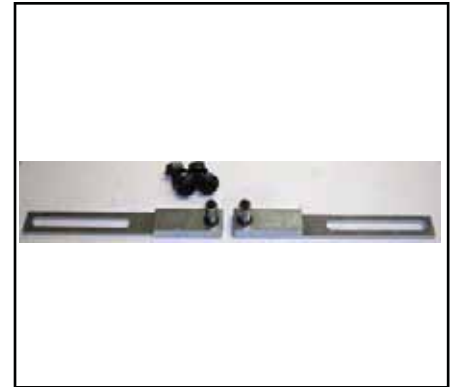
314636
 MAIN SUPPLY PRINT
 (WITH VOLTAGE SELECTOR)



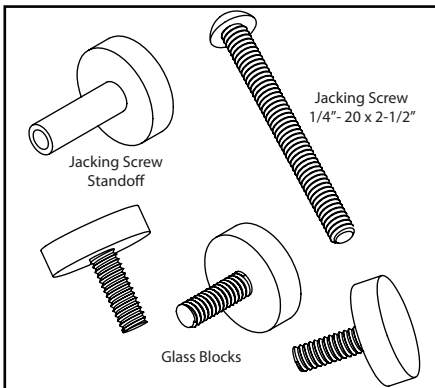
SVR.NOEL
 LOCKING CAMS
 FOR TX9200 LH, TX9300 RH,
 TX9430 RH, TX9420 LH, TX9500 LH



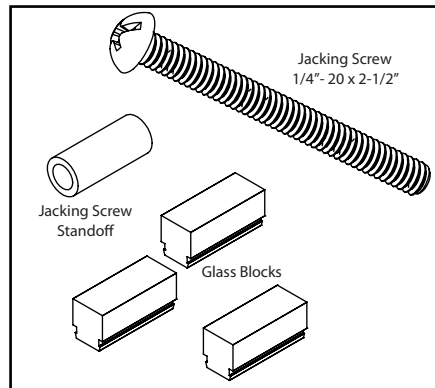
SVR.NOER
 LOCKING CAMS
 FOR TX9200 RH, TX9300 LH,
 TX9430 LH, TX9420 RH, TX9500 RH



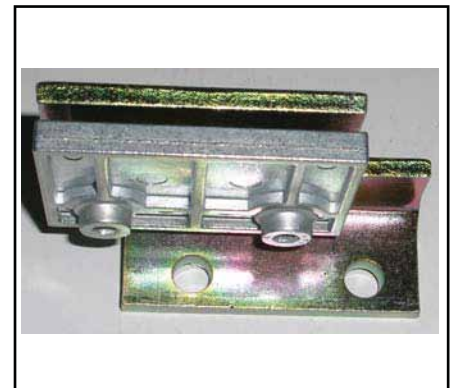
SVR.NOEB
 LOCKING CAMS (BI-PART)



US801691
 1" INSULATED GLASS JACKING
 SCREW KIT FOR TOP RAILS
 LESS THAN 4"



US801690
 1/4" GLASS JACKING SCREW KIT
 FOR TOP RAILS LESS THAN 4"



339864
 TXP/2401 BELT DRIVER
 (TOP)



FAU.0007
 TLP/TEP/2301 BELT DRIVER
 (TOP)



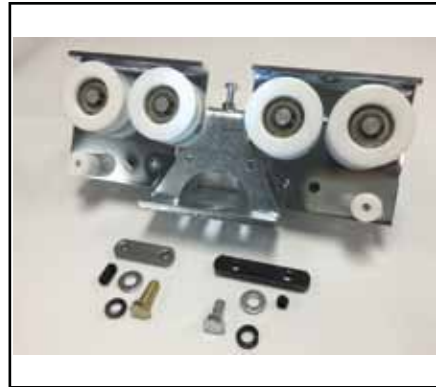
FAU.0011
 TLP/TEP/2301 BELT DRIVER
 (BOTTOM)



339866
 TXP/2401 BELT DRIVER
 (BOTTOM)



110445
 TLP/TEP/2301 TROLLEY HEAD



140810
 TXP/2401 TROLLEY HEAD



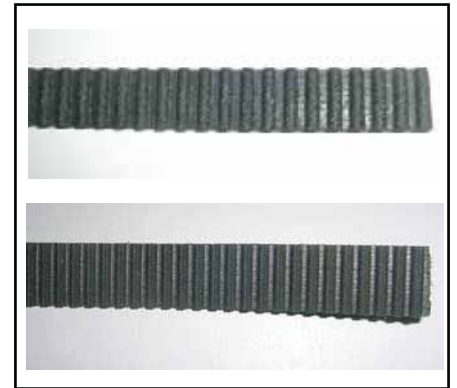
US800761
 TX9000 REPLACEMENT WHEEL
 (FOR NEW STYLE TROLLEY HEADS)



HAU.0011
 TXP/2401 RETURN PULLEY
 (13/16" BELT)



HAU.0001
 TLP/TEP/2301 RETURN PULLEY
 (9/16" BELT)



140208
 TLP/TEP/2301 BELT (9/16" WIDE)
 140191
 TXP/2401 BELT (13/16" WIDE)
 SOLD PER FOOT



353068
 TXP/2401 ANTI-RISER



140484
 TLP/TEP/2301 ANTI-RISER



140898
 SX CASTER ASSY



339873
 TXP/2401 BUMPER AND
 TROLLEY STOP



FAU.0028
 TLP/TEP/2301 BUMPER AND
 TROLLEY STOP



2-29-0026-R
 TX9300/ TX9430/TX9420/TX9500
 FLUSH MOUNT/ TX9200 FLUSH
 MOUNT SX BOTTOM GUIDE



US800666
 HEAVY DUTY BALL
 DETENT ASSEMBLY



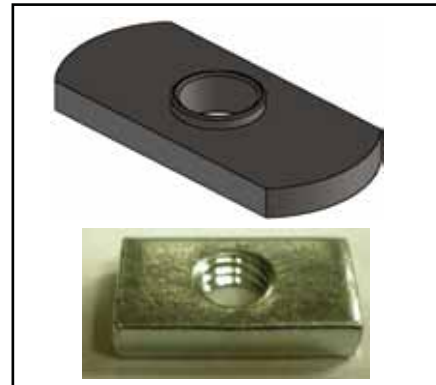
US801050
 SO BOTTOM BALL STRIKE
 (WITH SCREWS)



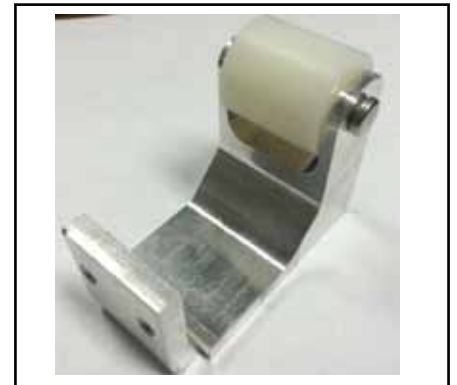
110820
 TX9300/TX9430 LIMIT
 ARM ASSEMBLY (SO PANEL)
 140460
 LIMIT ARM TRACK PG &NON-PG



EAU.0048 M6X8 SCREW
 EAU.0020 M6X10 SCREW
 USE WITH EAD.1125
 THREADED PLATE



US801630
 THREADED PLATE
 EAD.1125
 THREADED PLATE



US802276
 ROLLER INTERLOCK CASTER
 ASSY (MEDIUM STILE)



140147-01 CLR
 140147-02 BK BZ
 LOCK INDICATOR -STD
 (UP TO 2 1/2" DOOR)



US800743-01 CLR
 US800743-02 DK BR
 TX 9500 AG MORTISE
 THUMB TURN



140691-01 CLR
 140691-03 BLK
 9000 MORTISE THUMB
 TURN/ W CYLINDER RING



140142
 HOOK BOLT ASSEMBLY
 US800740
 TX9500 AG DOOR RAIL
 FLOOR LOCK



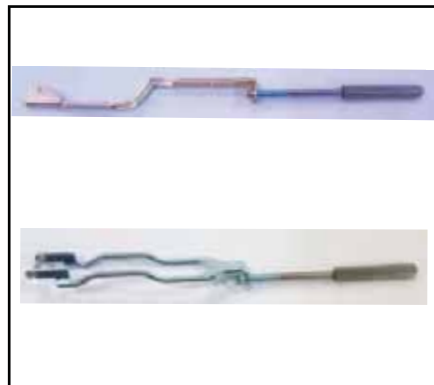
140692-01 CLR
 140692-02 DK BZ
 9000 MORTISE KEY
 CYLINDER W/ RING



US800744-01 CLR
 US800744-02 DK BZ
 TX9500 AG MORTISE
 KEY CYLINDER



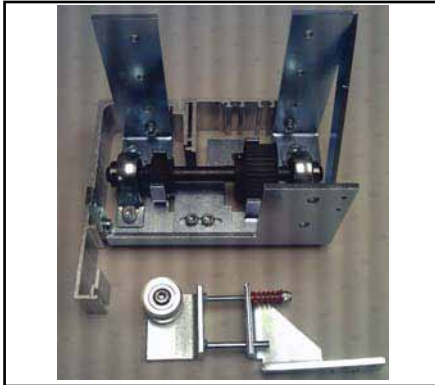
140143-01 CLR
 140143-03 DK BZ
 9000 FACE PLATE
 W/ SCREWS



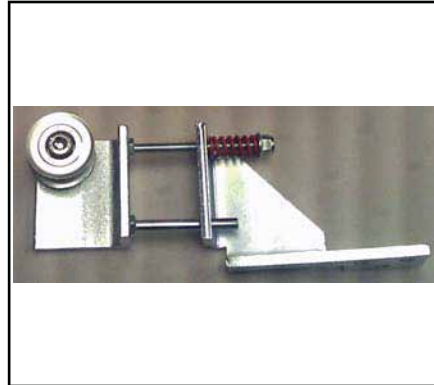
141131
 VERTICAL LOCKING FLOOR
 140665
 VERTICAL LOCKING HEADER
 BOLT & ROD ASSEMBLY



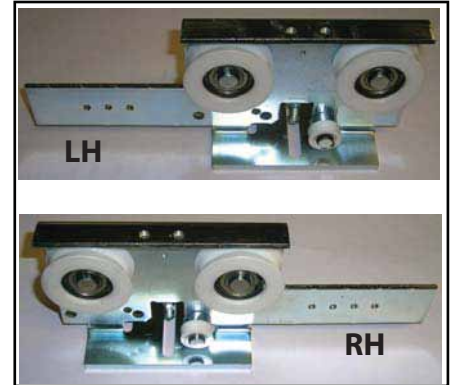
US802443-01 CLEAR
 US802443-03 BLACK
 MORTISE DUMMY CYLINDER



TEL.BAUX
 TX9430/20 RETURN PULLEY AND
 GEAR REDUCTION SPROCKET KIT



334227
 TX9400 RETURN PULLEY
 (INSIDE SLOW DOORS)



US801451 (LEFT-HAND)
 TX9420/TX9430 SLOW
 MOVING TELESCOPIC TROLLEY
US801450 (RIGHT-HAND)



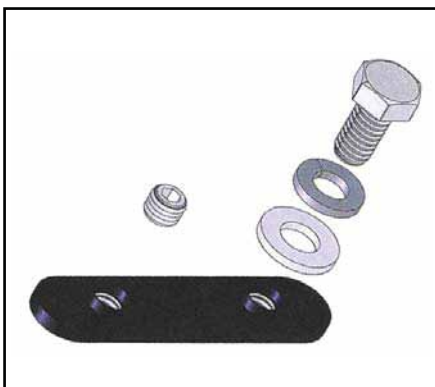
US801413
 TX9420/TX9430 TELESCOPIC
 BELT DRIVER (LEFT-HAND)



US801414
 TX9420/TX9430 TELESCOPIC
 BELT DRIVER (RIGHT-HAND)



US801594
 TX9420/TX9430 SLOW MOVING
 TELESCOPIC TROLLEY
 (NON-HANDED)



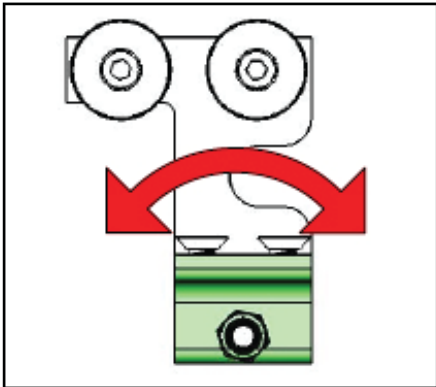
141121
 TROLLEY T-NUT ASSEMBLY
 TX9200/TX9300/TX9420/TX9500
 (MFR PRIOR TO MID 2015)



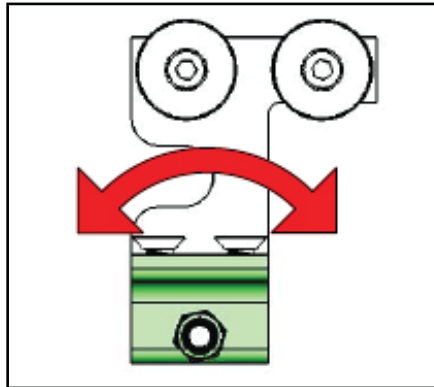
US801954
 TROLLEY T-NUT ASSEMBLY
 TX9200/TX9300/TX9420/TX9430
 LEAD SX/TX9500 (MFR AFTER MID 2015)



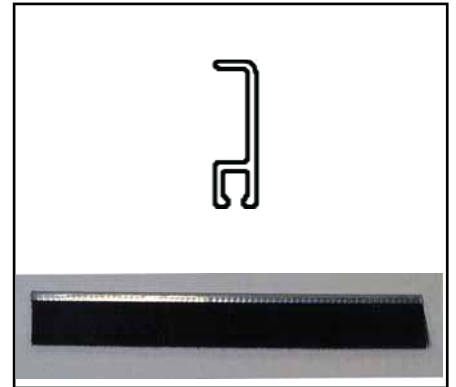
US802334
 TELESCOPIC DUAL PULLEY &
 SHAFT ASSY



142225
 TELESCOPIC TRACKLESS
 LH SX-PANEL BOTTOM
 DOOR GUIDE (O-X-SX)



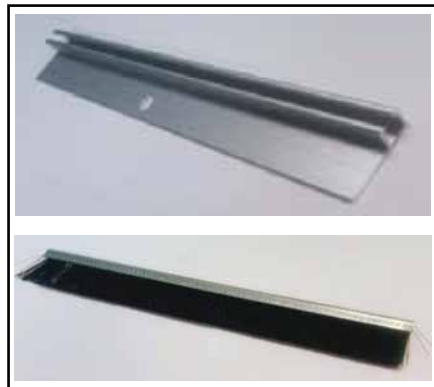
142226
 TELESCOPIC TRACKLESS
 RH SX PANEL BOTTOM
 DOOR GUIDE (SX-X-O)



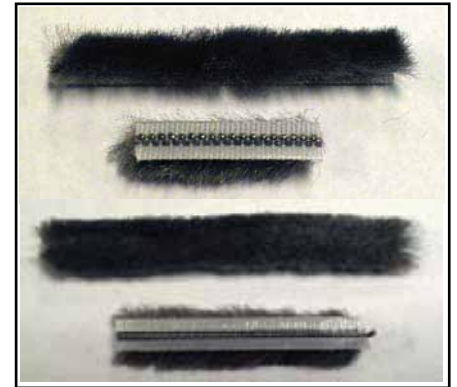
141066
 ADJUSTABLE DOOR BRUSH HOLDER
 141098
 7/16" SX/SO-BOTTOM RAIL BRUSH



141001
 1/2" O-PANEL BRUSH
 US801336
 1" FLEX BRUSH



140626
 TX 9000 SM BRUSH HOLDER
 90 DEGREES 8'-0"
 140627
 5/8" SM BRUSH 8'-0"



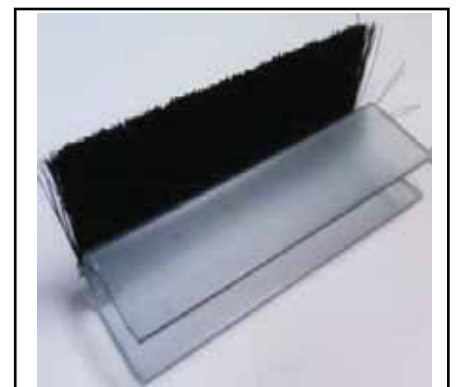
140212
 1/4" INTERLOCK PILE SEAL
 140213
 3/8" LEAD - STILE PILE SEAL



140211
 (SELF-ADHESIVE BACK)
 3/8" BACK PILE SEAL



140488
 TX9500 AG LEAD EDGE PILE
 SEAL 1/2"



140491
 TX9500 AG O-PANEL
 WEATHERSEAL PLASTIC
 HOLDER & BRUSH



KAU.0012
 TCP.51LC CONTROL



KAU.0002
 TCP.51 PROGRAMMABLE CONTROL



KAD.0002
 TCP.101 (TXP) CONTROL



US800936
 TCP.51LC TERMINAL STRIP
 (USE WITH NEW BEAMS
 US801343 PAGE 16)



EAU.0006
 TCP.51/TCP.101
 FLAT CABLE



KAU.0006
 TCP.51/TCP.101 TERMINAL STRIP



EEU.0002
 TCP.51LC TERMINAL STRIP
 (OLD STYLE, USED WITH 140153 BEAMS)



140513-GY
 TORMAX HOLDING BEAMS
 (WITCH BOARD, OLD STYLE)



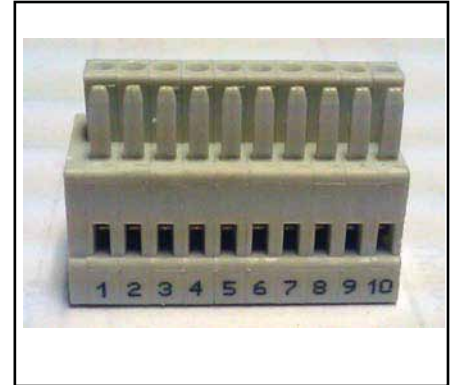
US801617
 REPLACES 140153-GY
 HOLDING BEAMS (USED
 WITH TERMINAL STRIP EEU.0002)



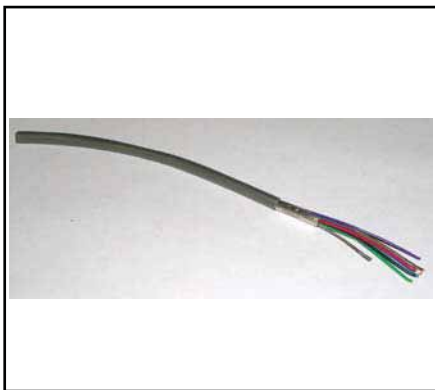
120475
 FUNCTIONAL CONTROL PANEL
 TLP ASSEMBLY



140190
 FUNCTION CONTROL PANEL



140846
 BLOCK "B" FUNCTIONAL
 CONTROL PANEL



140185
 10 CONDUCTOR SCREENED
 CABLE = FUNCTION CONTROL
 PANEL



140177
 SIDE PLATE - CONTROL BOX



140540
 TERMINAL STRIP HOLDER



140996
 TERMINAL "A"



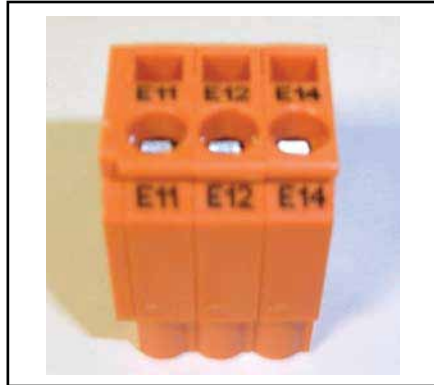
140997
 TERMINAL "B"



US801340
 TERMINAL "C"



US801339
 TERMINAL "D"



US801338
 TERMINAL "E"



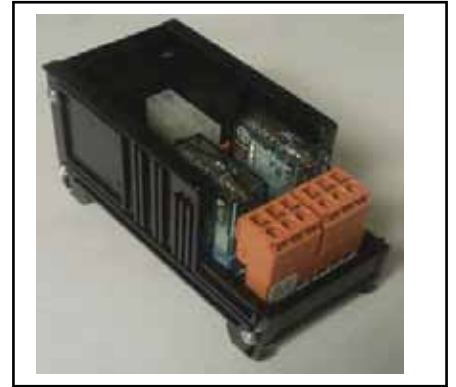
US801337
 TERMINAL "F"



EAU.0005
 TLP/TEP/TXP
 POWER PLUG



EAU.0002
 TLP/TEP TRANSFORMER
 US801352
 TXP TRANSFORMER



SAM.EP
 INPUT / OUTPUT MODULE



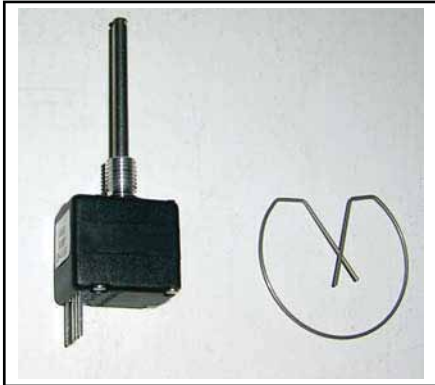
US801289 - TEP/TLP
 TRANSMISSION WHEEL
 W/O BRAKE



US801288 - TXP
 TRANSMISSION WHEEL
 W/O BRAKE



US800545
 BRAKE (TEP/TLP/TXP)



EAU.0010
 TLP/TEP/TXP ENCODER
 (WITH SPRING)



140812
 ENCODER SPRING ONLY



140854
 ENCODER INSERTION TOOL



KAU.0018
 TLP/TEP REPLACEMENT
 MOTOR (2" WIDE)



TID.338509
 TXP REPLACEMENT
 MOTOR (2-13/16" WIDE)



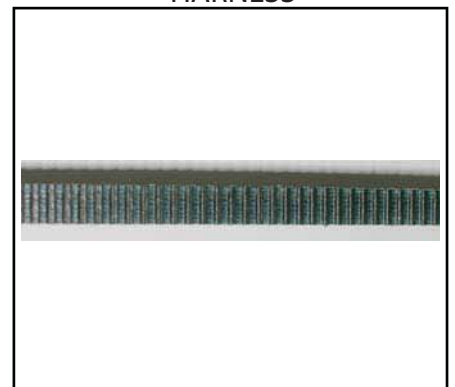
SVR.2001
 ELECTRIC LOCK (LESS CAM)
 SVR.EVK
 ELECTRIC LOCK EXTENSION
 HARNESS



US800943
SERSOFT KIT - FOR TEP/TLP/TXP
 (CD, USB AND CONNECTOR CABLES)



EAU.0049
 TXP ENCODER "FLAT" BELT
 (FLAT, 3/8" WIDE)



EAU.0046
 TLP/TEP ENCODER "V" BELT
 (V BELT, 1/4" WIDE)



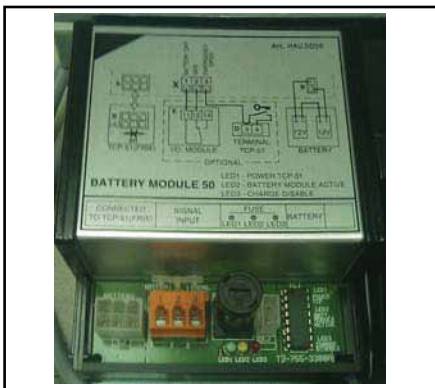
BAT.51G
 LARGE BATTERY BACK-UP
 (NO LONGER AVAILABLE
 REPLACED BY 333850)



333850
 SMALL BATTERY BACK-UP



US801213
 LARGE BATTERY
 REPLACEMENT (2 PIECES)



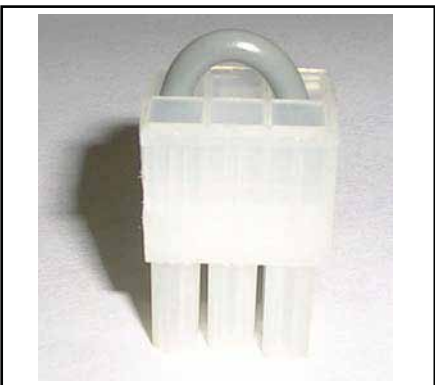
US801214
 BATTERY BACK-UP MODULE



BAT.VK
 EXTENSION HARNESS
 FOR BATTERY BACK-UP



US801212
 SMALL BATTERY
 REPLACEMENT (2 PIECES)



US801350
 BATTERY BACKUP BYPASS



US801820 - 2301
 US801407 - 2401
iMOTION® COMPLETE DRIVE UNIT



US801577
**SKIPPER KIT - FOR 2301/2401
 iMOTION PRODUCT (CD,USB
 AND CONNECTOR CABLES**



US801101
**FUNCTION CONTROL PANEL
 (2301/2401)**



US801385 (2301, NEW)
 US801386 (2301, REBUILT IN WARRANTY)
 US801401 (2401, NEW)
 US801402 (2401, REBUILT IN WARRANTY)
iMOTION® CONTROL UNIT)



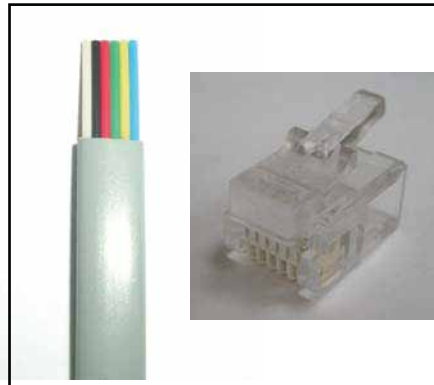
US801449
LIN BUS CABLE ASSY. (7')
 US801573
LIN BUS CABLE ASSY. (14')



US801423
**FLUSH MOUNT FCP ASSY.
 (2301/2401)**



US801197
**LIN BUS PLUG CRIMPER
 (2301/2401)**



US801198
6-POLE CABLE, PER FOOT
 US801199
6C6P PLUG (2301/2401)



US801176
**SURFACE MOUNT FCP ASSY.
 (2301/2401)**



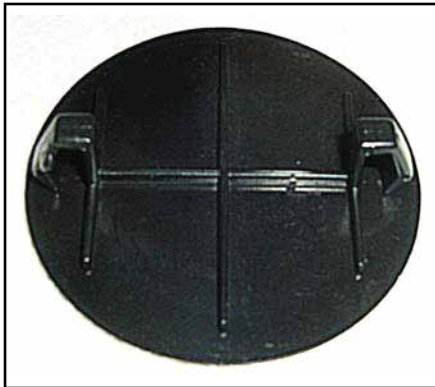
US801400
 EXTENSION CABLE
 MOTOR - CONTROL UNIT (59")
 (2301/2401)



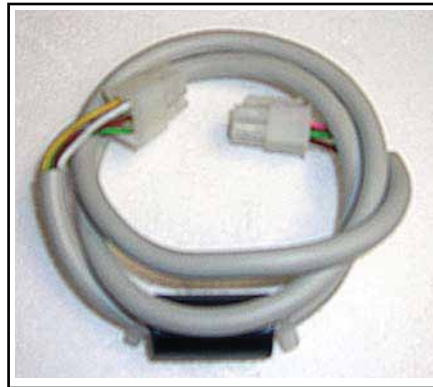
US801381 (NEW)
 US801382 (REBUILT WARRANTY
 EXCHANGE ONLY)
 iMOTION 2301 MOTOR UNIT



US801383 (NEW)
 US801384 (REBUILT WARRANTY
 EXCHANGE ONLY)
 iMOTION 2401 MOTOR UNIT



US801421
 ENCODER OPENING COVER
 (2301/2401)



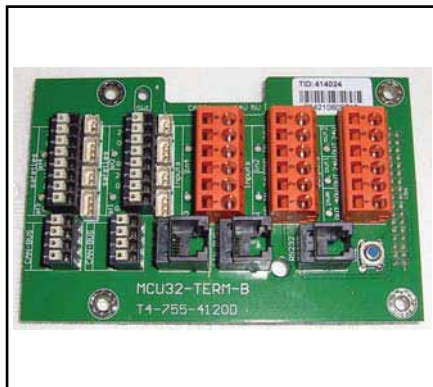
US801380
 MOTOR CABLE
 (2301/2401)



US801422
 ENCODER CABLE
 (2301/2401)



US801420
 BRAKE MODULE
 (2301/2401)



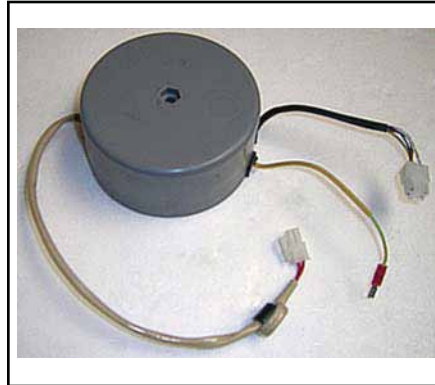
US801311
 TERMINAL MODULE
 (2301/2401)



US801312
 BASIC MODULE
 (2301/2401)



US801419
iMOTION 2301 TRANSFORMER



US801441
iMOTION 2401 TRANSFORMER



US801412
MAINS CABLE
(2301/2401)



US801418
iMOTION 2301 POWER SUPPLY
MODULE



US801392
iMOTION 2401 POWER SUPPLY
MODULE



US801343
HOLDING BEAMS 7401
(NEW STYLE, DOUBLE PLUG)



US801483
HOLD BEAMS 7401 EXTENSION
CABLE



EAU.0005
STRAIGHT 2301 POWER PLUG
US801411
ANGLED 2401 POWER PLUG



US801578
LOCKING POWER PLUG W/ CABLE



US801212
 BATTERY 24V, 1Ah
 (2 PIECES, 2301/2401)



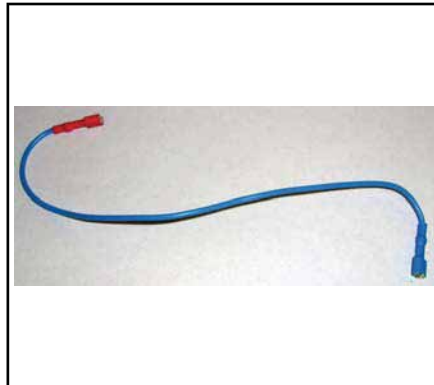
US801399
 BATTERY MODULE
 (2301/2401)



US801405
 I/O MODULE - WITHOUT LIN BUS
 INTERFACE HARNESS ASSEMBLY
 (2301/2401)



US801105
 BATTERY UNIT
 (2301/2401)



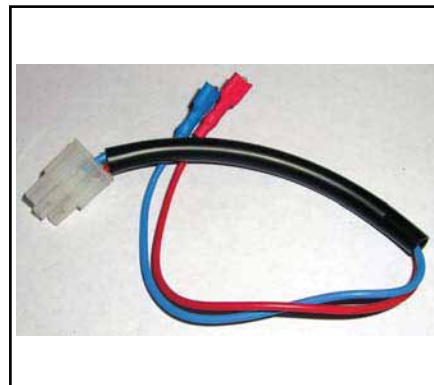
US801415 - (2301/2401)
 BATTERY SERIAL CONNECTION



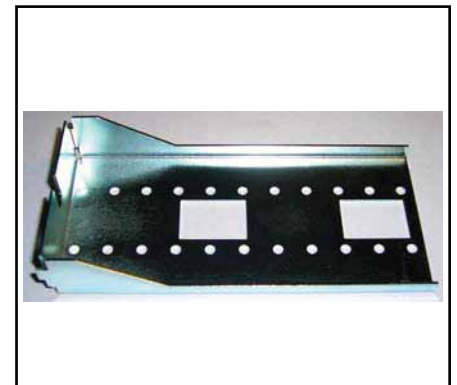
US801417
 BATTERY CONNECTION CABLE
 (2301/2401)



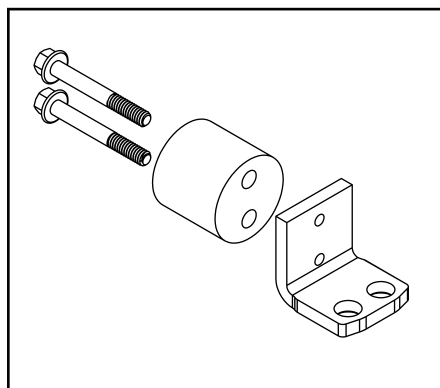
US801106
 LOCK UNIT - WITHOUT LIN BUS
 INTERFACE HARNESS ASSEMBLY
 (2301/2401)



US801416 - (2301/2401)
 CONNECTION CABLE FOR BATTERY



US801406
 I/O MOUNTING BRACKET
 (2301/2401)



US801664
 TX9300SO BOTTOM PIVOT
 MEDIUM DOOR STYLE
 NON-HANDED DOOR PORTION,
 (MFR MID 2013 TO CURRENT)



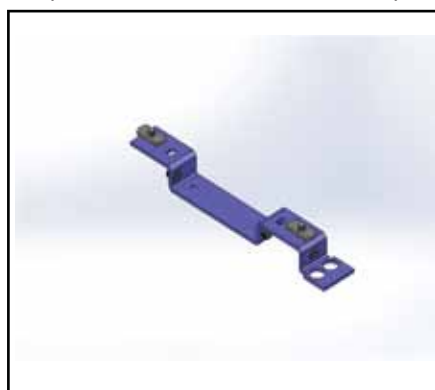
US800830 (LH)
 US800832 (RH)
 TX9300 SO BOTTOM PIVOT
 FLOOR PORTION,
 (MFR MID 2009 TO CURRENT)



US800860 (LH)
 US800861 (RH)
 TX9300 MEDIUM & NARROW SO
 BOTTOM PIVOT DOOR PORTION,
 (MFR MID 2009 TO MID 2013)



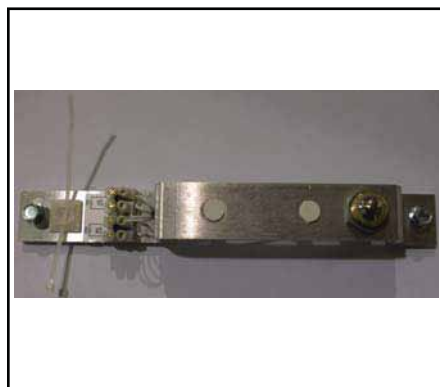
US801660
 TX9300 SO BOTTOM PIVOT
 NARROW DOOR STYLE NON-
 HANDED DOOR PORTION,
 (MFR MID 2013 CURRENT)



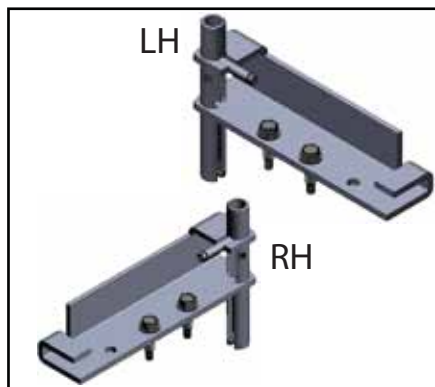
US801659
 SO TOP PIVOT HEADER PORTION
 NON-HANDED



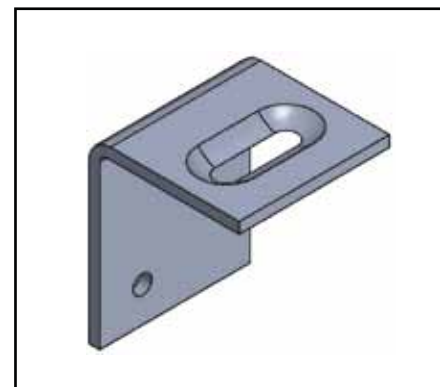
US800849 (LH)
 US800851 (RH)
 SO TOP PIVOT HEADER PORTION,
 REPLACE WITH US801659,
 (MFR MID 2009 TO MID 2013)



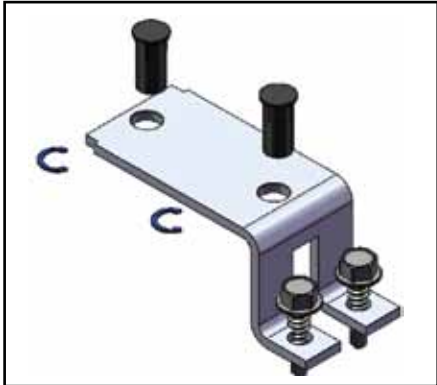
US800837
 SO TOP BALL CATCH, BREAKOUT
 & AUX SWITCH ASSEMBLY
 NEW T NUT INCLUDED IN KIT,
 (MFR MID 2009 TO CURRENT)



US800845 (LH)
 US800847 (RH)
 TX9300 SO TOP PIVOT DOOR
 PORTION WITH NEW BRACKET,
 DESIGN (MFR 2013 TO CURRENT)



US800910
 SO TOP BALL DETENT BRACKET,
 TX9300 (MFR MID 2009 TO CURRENT)
 TX9430 (MFR MID 2014 TO CURRENT)



US800841
 SO PANEL MAGNET ASSEMBLY
 TX9300 (MFR MID 2009 TO CURRENT)
 TX9430 (MFR MID 2014 TO CURRENT)



US801048
 TX9200/TX9300/TX9500
 VERTICAL TRANSOM BRACKET
 NEW T NUT INCLUDED IN KIT
 (MFR MID 2009 TO CURRENT)



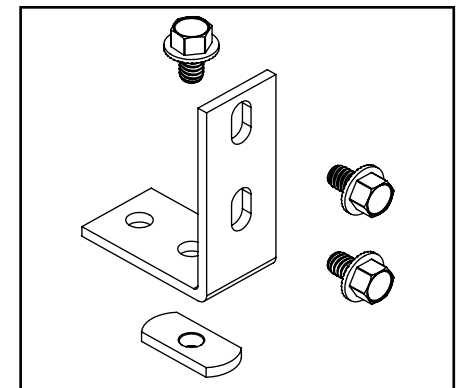
US800953
 (LH) P-PANEL MOUNTING
 BRACKET (TX9200/TX9500
 MFR MID 2009 TO MID 2013)



US800952
 (RH) P-PANEL MOUNTING
 BRACKET (TX9200/TX9500
 MFR MID 2009 TO MID 2013)



US801462
 P-PANEL TOP/BTM MOUNTING
 BRACKET KIT USED w/ US800813 HDR,
 142220 FLOOR GUIDE (TX9200/TX9500
 MFR MID 2009 TO MID 2013)



US801666
 TX9200/ TX9500 P-PANEL MOUNTING
 KIT USED w/ US801612 FSL
 FLOOR GUIDE PROFILE
 (MFR MID 2013 TO CURRENT)



US800992
 P-PANEL TOP MOUNTING BRACKET
 TX9200, TX9500 USED w/
 US800813 HEADER



142218
 TX9200, TX9500, TX9420
 P-PANEL BTM MOUNTING BRACKET
 (MFR Mid 2009 to Mid 2013)



US801024
 RH SX BOTTOM GUIDE, TX9200
 w/ 1/2" O-PANEL, TX9500 w/
 O-PANEL, (2-3/4" TALL), (SX=0)
 (MFR 2013 CURRENT)



US801025
 LH SX BOTTOM GUIDE TX9200
 w/ 1/2" O-PANEL BRUSH, TX9500
 W/ O-PANEL, (2-3/4" TALL), (SX-O)
 (MFR 2013 CURRENT)



110624
 RH SM BOTTOM GUIDE, TX9200
 w/ 1" O/P PANEL BRUSH, TX9500
 w/P-PANEL, (3-1/4" TALL),
 (MFR 1997 CURRENT)



110625
 LH SM BOTTOM GUIDE TX9200
 w/ 1" O/P PANEL BRUSH, TX9500
 w/P-PANEL, (3-1/4" TALL),
 (MFR 1997 CURRENT)



110236
 RH CM BOTTOM GUIDE, TX9200 w/
 PILE WEATHER STRIPPING, TX9500
 (2-11/16" TALL),
 (MFR 1997 TO MID 2013)



110237
 LH CM BOTTOM GUIDE, TX9200 w/
 PILE WEATHER STRIPPING, TX9500
 (2-11/16" TALL),
 (MFR 1997 TO MID 2013)



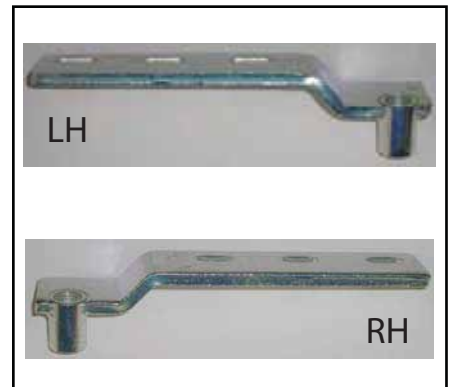
140220
 HEADER COVER HINGE STRAP
 TX9420/TX9430,
 TX9200/ TX9300 STORM



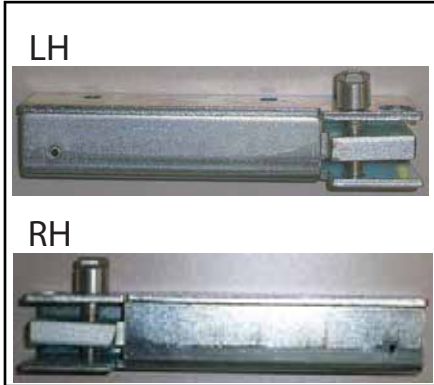
140219
 HEADER COVER HINGE COVER
 SUPPORT, TX9420/TX9430,
 TX9200/ TX9300 STORM



140603 (LH)
140602 (RH)
 HEADER LATCH, TX9420/
 TX9430, TX9200/ TX9300 STORM



140588 - (LH)
140589 - (RH)
 TOP SO PIVOT HEADER
 PORTION, TX9430



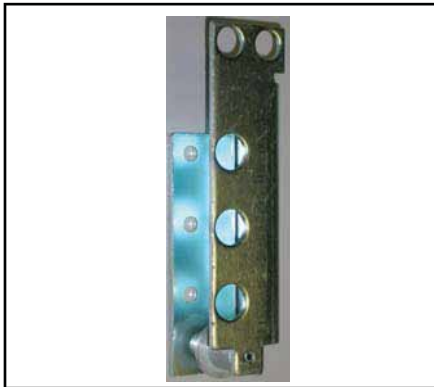
140919 (LH)
 140920 (RH)
 SO BOTTOM PIVOT DOOR PORTION,
 (TX9430 MFR TO CURRENT),
 (TX9300 MFR TO MID 2009)



110986
 SO BOTTOM BALL CATCH
 (OLD STYLE)



140596
 SO TOP BALL CATCH,
 (TX9300/TX9430 MFR
 TO MID 2008)



140924
 NON-HANDED SO TOP PIVOT
 (DOOR PORTION),
 (TX9300 MFR TO MID 2009),
 (TX9430 MFR TO CURRENT)



140587
 LH SO BOTTOM PIVOT
 (THRESHOLD PORTION)
 (TX9300 MFR TO MID 2009)
 (TX9430 MFR TO CURRENT)



140586
 RH SO BOTTOM PIVOT
 (THRESHOLD PORTION)
 (TX9300 MFR TO MID 2009)
 (TX9430 MFR TO CURRENT)



US800904
 UPPER BALL CATCH PANEL BRACKET,
 (TX9300 MFR MID 2008 TO MID 2009),
 (TX9430 MFR MID 2008 TO MID 2014)



US800902
 SO TOP BALL DETENT
 (TX9300 MFR MID 2008 TO MID 2009),
 (TX9430 MFR MID 2009 TO CURRENT)



US800906-R
 SO BOTTOM BALL DETENT
 (TX9300/ TX9430 MFR
 MID 2008 TO CURRENT)



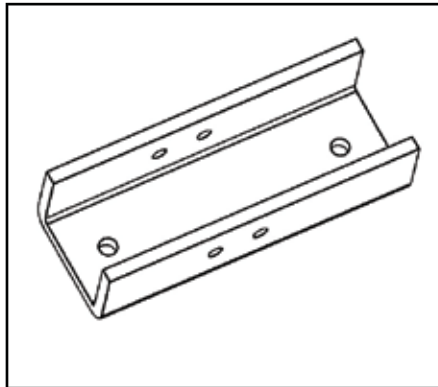
US800905
 SO PANEL BRACKET
 (WITHOUT BRASS CATCH),
 (TX9300 MFR MID 2008 TO 2009),
 (TX9430 MFR MID 2008 TO MID 2014)



140163
 HEADER O-PANEL BRACKET
 (TX9200/ TX9500 MFR TO MID 2009),
 (TX9420 MFR TO CURRENT)



140169
 TRANSOM CLIP
 (TX9200/ TX9300/ TX9500 MFR TO
 MID 2009),
 (TX9420/ TX9430 MFR TO MID 2011)



US801532
 TRANSOM CLIP
 (TX9420)/ TX9430 MFR
 MID 2011 TO CURRENT)



US800670 (LH)
 US800669 (RH)
 SO PANEL MAGNET BRACKET
 (TX9300/ TX9430 MFR TO MID 2008)



142218
 P-Panel Bottom Mounting Bracket
 TX9200, TX9500, TX9420 used
 w/ Floor Guide Profile 140207



142220
 P-Panel Top/ Btm Mounting Bracket
 TX9200, TX9500 used w/140176
 Hdr, 140207 Floor Guide Profile



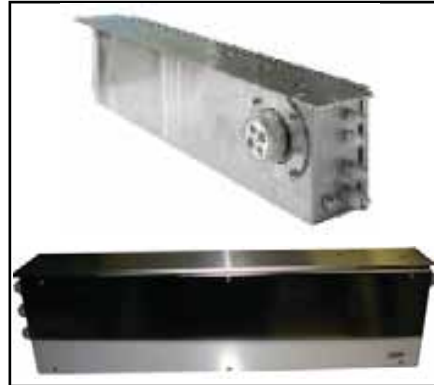
142220
 P-Panel Top/ Btm Mounting Bracket
 TX9420, used w/SAW.EK6 Hdr,
 140207 Floor Guide Profile



142218
 P-Panel Top Mounting Bracket
 TX9200, TX9500 used w/ 140176 Hdr,
 TX9420 used w/ SAW.EK6T Hdr



US801644
 2301 IP.65 SPLASH PROOF
 DRIVE KIT, NEW
 US801672
 REBUILT WARRANTY EXCHANGE



US801645
 2401 IP.65 SPLASH PROOF
 DRIVE KIT, NEW
 US801673
 REBUILT WARRANTY EXCHANGE



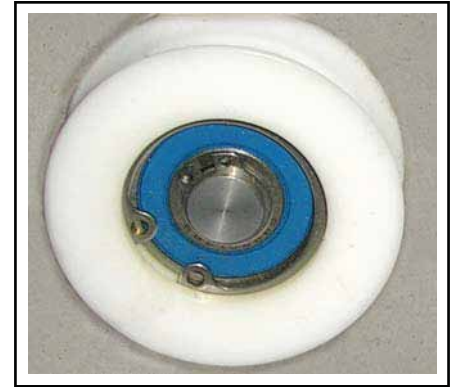
SPS.PAKA
 FRAME WITH TRANSPARENT
 COVER, SURFACE MOUNTED
 (IP.55 RATING)



US800755
 TXP TROLLEY HEAD
 (SINGLE HEAD REPLACEMENT)
 (IP.65)



344182
 TEP/TLP/2301 TROLLEY HEAD
 (SINGLE HEAD REPLACEMENT)
 (IP.65)



US800759
 TROLLEY HEAD ROLLER
 TEP/TXP/2301/2401
 (IP.65)



US800760
 ANTIRISER WHEEL ASSEMBLY
 TROLLEY HEAD (TEP IP.65)



US800757
 RETURN PULLEY
 TXP/2401
 (IP.65)



US800753
 RETURN PULLEY
 TEP/2301
 (IP.65)



US800752
TEP/TLP/2301 TOP BELT
DRIVER (IP65)



US800751
TEP/TLP/2301 BOTTOM BELT
DRIVER (IP65)



US800758
TROLLEY HEAD DOOR STOP
BRACKET "L" TEP/TXP/2301/2401
(IP.65)



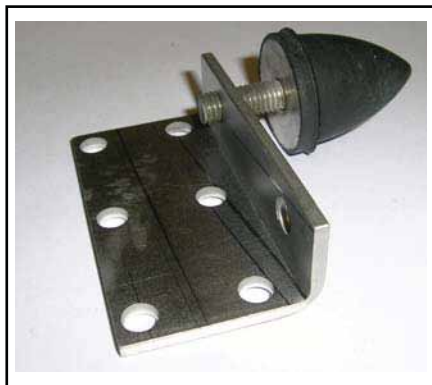
402921
TXP/2401 TOP BELT DRIVER
(IP65)



402920
TXP/ 2401 BOTTOM BELT DRIVER
(IP.65)



TID.10213
ENCODER TEP/TXP
(IP.65)



US800754
DOOR STOP - TXP/ 2401
(IP.65)



US800756
DOOR STOP - TEP/TLP/2301
(IP.65)



US801738
 JAMB CAMERA
 (ONLY)



US801770
 JAMB CAMERA INTERFACE KIT
 (US801768, US801769, US800466,
 US800736)



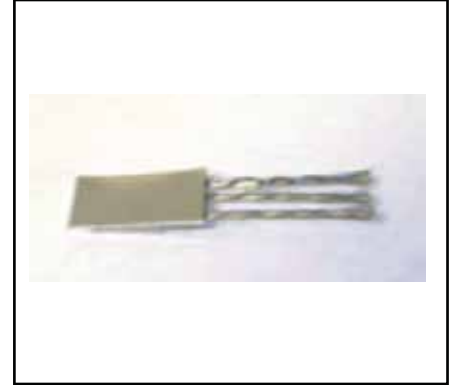
US801768
 RCA MALE TO MALE CONNECTOR
 US801769
 RCA BULKHEAD JACK



US800736
 TERMINAL BLOCK 18-20 AWG.
 (JAMB CAMERA)



US800466
 DOOR STATUS TROLLEY
 BRACKET (JAMB CAMERA)



40985
 ANTI STATIC BRUSH



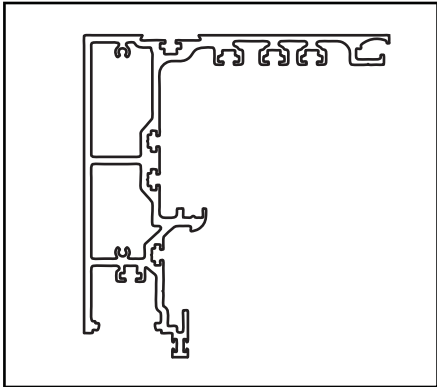
140729
 1/8" WIRE HOLDER
 (ADHESIVE BACK)



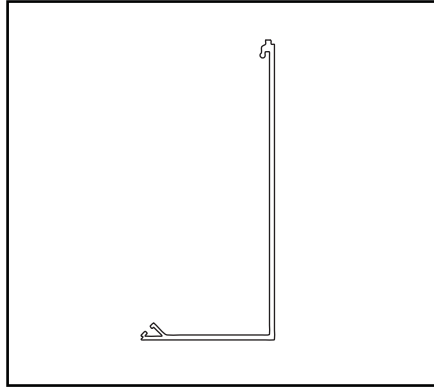
140541
 IN-HEADER CABLE HOLDER
 140816
 TIE WRAP MOUNT (ADHESIVE BACK)



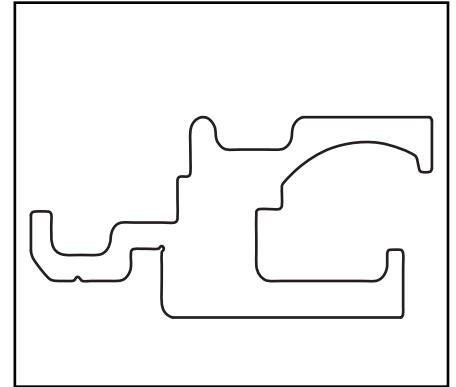
140539
 TROLLEY RAIL CLAMP



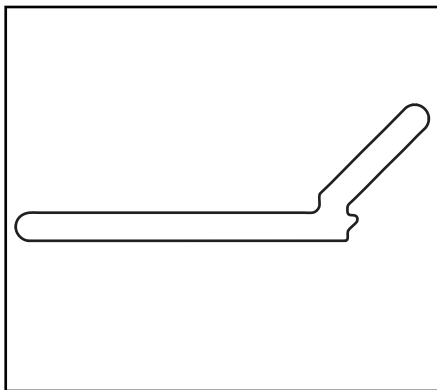
US801619
 ONE-PIECE HEADER EXTRUSION,
 (TX9200/TX9300/TX9500 MFR
 MID 2013 TO CURRENT)



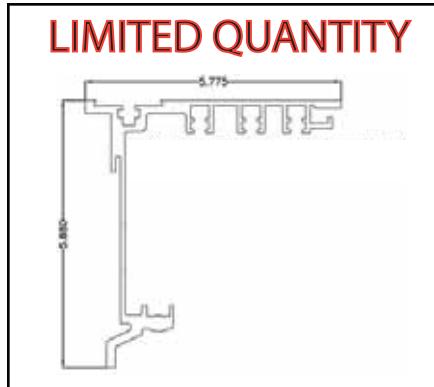
US801624
 HEADER COVER,
 (TX9200/TX9300/TX9500 MFR
 MID 2013 TO CURRENT)



US801620
 HEADER COVER HINGE,
 (TX9200/TX9300/TX9500 w/ 2401
 DRIVE MFR 2013 TO CURRENT)



US801625
 HEADER COVER EXTENSION
 FOR 2401 DRIVE,
 (TX9200/TX9300/TX9500 MFR
 MID 2013 TO CURRENT)



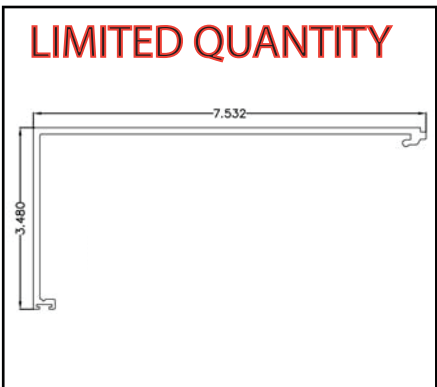
LIMITED QUANTITY

US800816
 HINGED HEADER HALF
 (REPLACED BY US801619),
 (TX9200/TX9300/TX9500 MFR
 MID 2009 TO MID 2013)



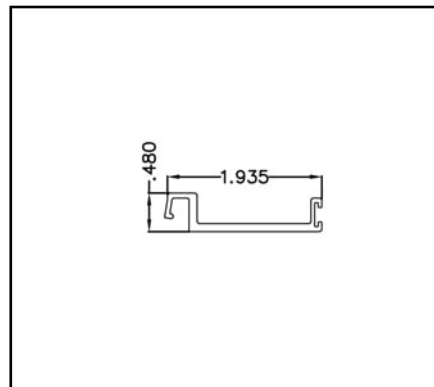
LIMITED QUANTITY

US800814
 HINGED HEADER SUPPORT
 (REPLACED BY US801619),
 (TX9200/TX9300/TX9500 MFR
 MID 2009 TO MID 2013)

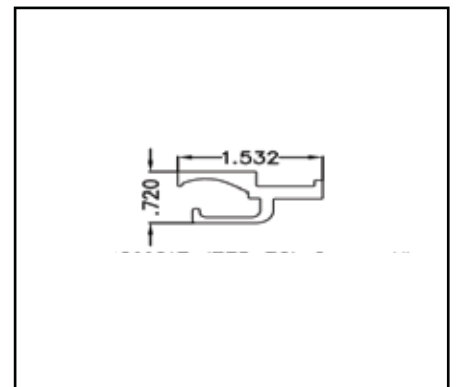


LIMITED QUANTITY

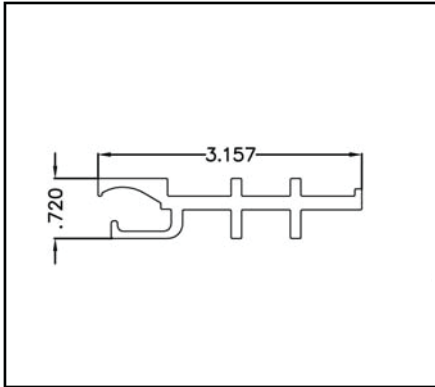
US800811
 HINGED COVER TEP
 (REPLACED BY US801624),
 (TX9200/TX9300/TX9500 MFR
 MID 2009 TO MID 2013)



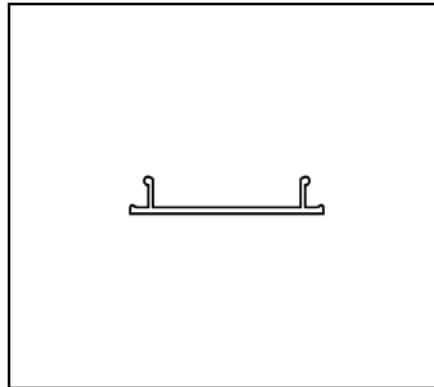
US800812
 HINGED COVER ADAPTOR FOR
 TXP/ 2401/ IP-65, (MFR
 MID 2009 TO MID 2013)



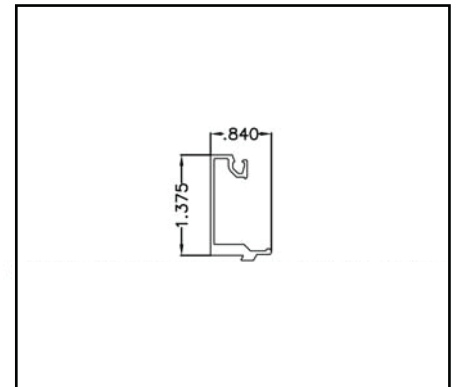
US800815
 COVER HINGE,
 (TX9200/TX9300/TX9500 FOR
 TEP/TEP/2301 & .IP65 MFR
 MID 2009 TO MID 2013)



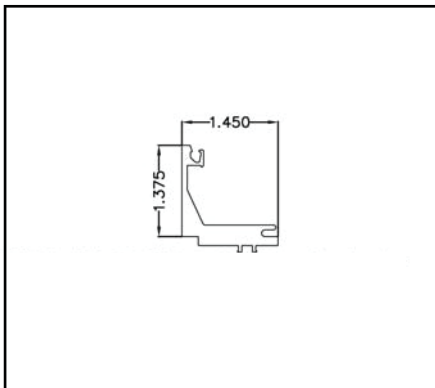
US800816
 COVER HINGE ADAPTOR,
 (TX9200/TX9300/TX9500 FOR
 TXP/2401 & IP-65 MFR MID
 2009 TO MID 2013)



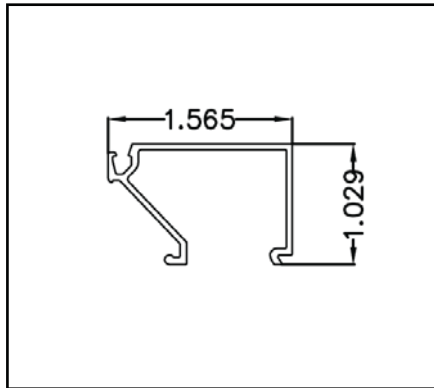
014.8880
 COMDOR COVER



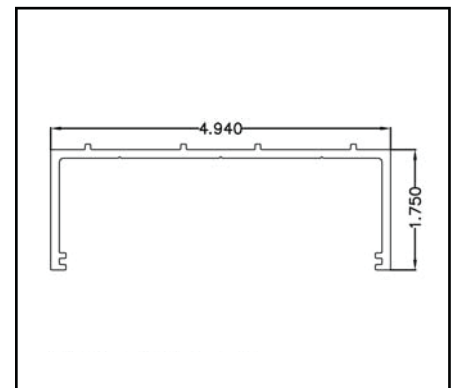
US801042
 SNAP IN FACE FOR HEADER,
 (TX9200/TX9300/TX9500
 MFR MID 2009 TO CURRENT)



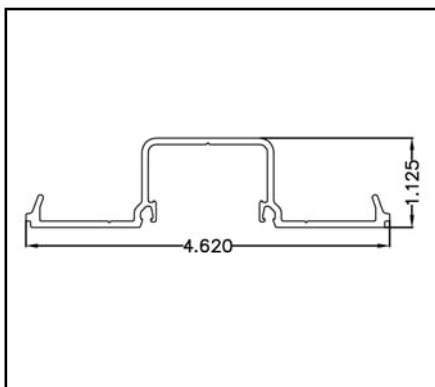
US801041
 SNAP IN GUTTER
 FOR HEADER
 (TX9200/TX9300/TX9500
 MFR MID 2009 TO CURRENT)



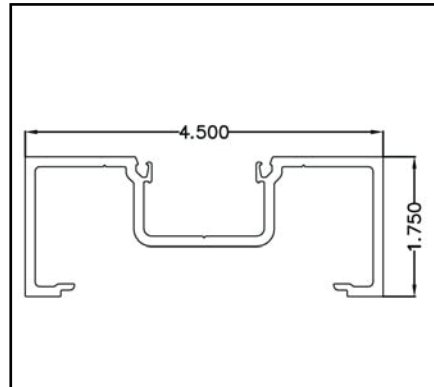
US800826
 FACE HORIZONTAL JAMB,
 (TX9200/TX9300/TX9500
 MFR FROM MID 2009 TO CURRENT)



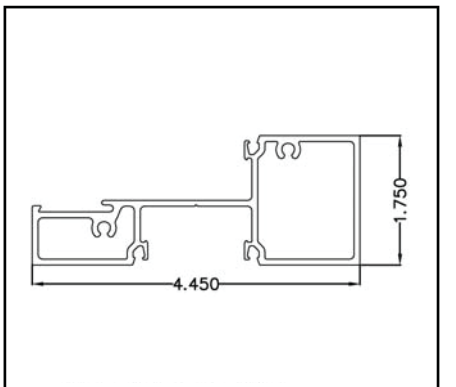
US800829
 HORIZONTAL HEADER POCKET,
 (TX9200/TX9300/TX9500
 MFR FROM MID 2009 TO CURRENT)



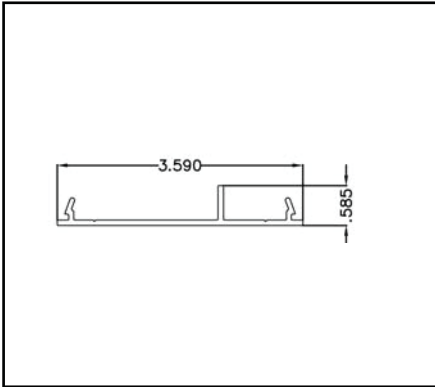
US800828
 HORIZONTAL POCKET PLATE,
 (TX9200/TX9300/TX9500
 MFR FROM MID 2009 TO CURRENT)



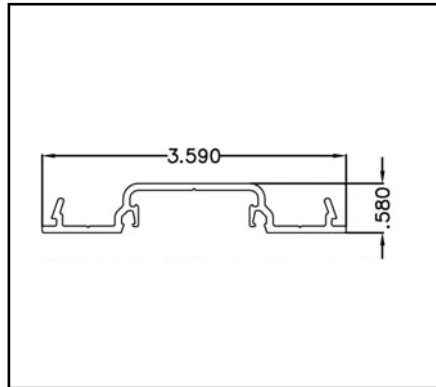
US800956
 JAMB TUBE,
 (TX9200/TX9300/TX9500
 MFR FROM MID 2009 TO CURRENT)



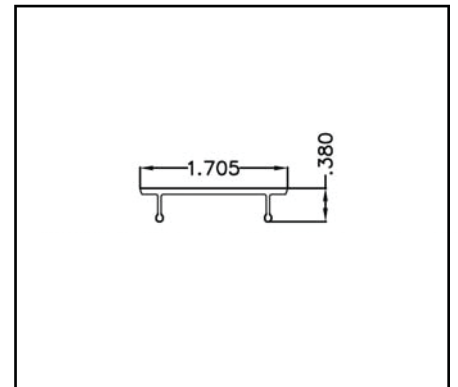
US800824
 HORIZONTAL JAMB,
 (TX9200/TX9300/TX9500
 MFR FROM MID 2009 TO CURRENT)



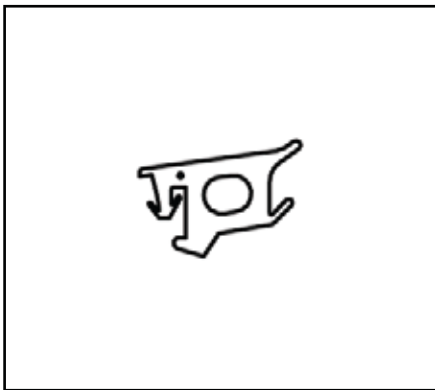
US800958
 JAMB SNAP INBACK PLATE,
 (TX9200/TX9300/TX9500
 MFR TO MID 2009 TO CURRENT)



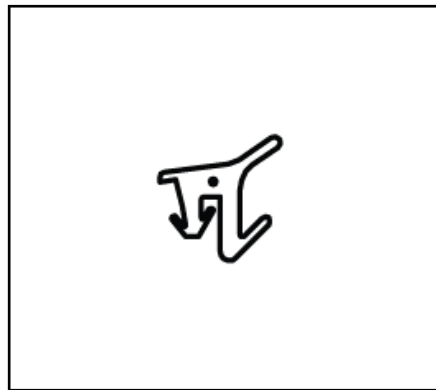
US800957
 JAMB SNAP IN GUTTER,
 (TX9200/TX9300/TX9500
 MFR FROM MID 2009 TO CURRENT)



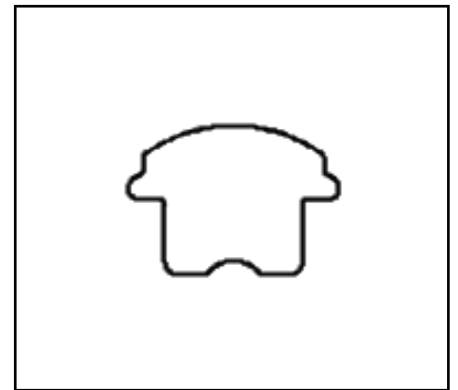
US800827
 JAMB SNAP IN FILLER STRIP,
 (TX9200/TX9300/TX9500
 MFR FROM MID 2009 TO CURRENT)



US801051
 GLAZING GASKET FOR 1/4"
 (TRANSOM),
 (TX9200/TX9300/TX9500
 MFR FROM MID 2009 TO CURRENT)



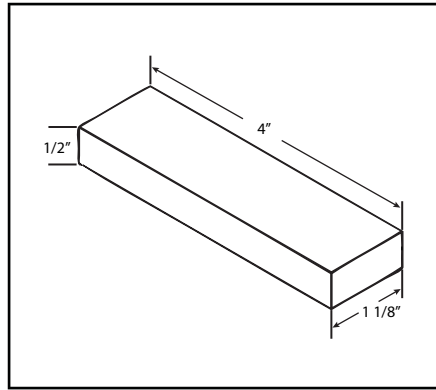
US800822
 GLAZING GASKET FOR 1"
 (TRANSOM),
 (TX9200/TX9300/TX9500
 MFR FROM MID 2009 TO CURRENT)



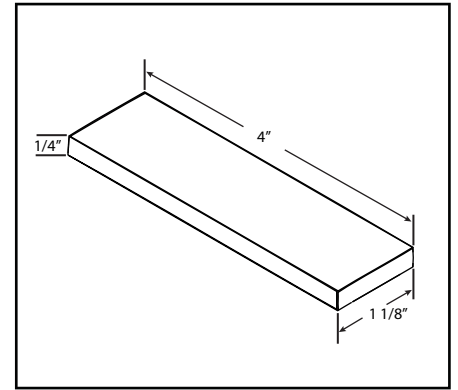
SAW.EL6E
 TX9000 TROLLEY RAIL



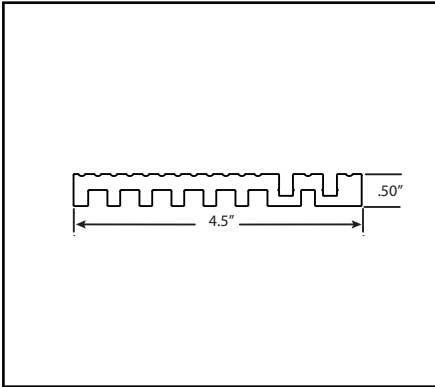
140209
 RUBBER FOR TROLLEY RAIL



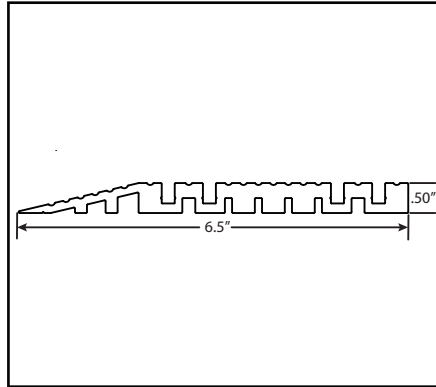
US801044
 1" TRANSOM SETTING BLOCK,
 (TX9200/TX9300/TX9500
 MFR FROM MID 2009 TO CURRENT)



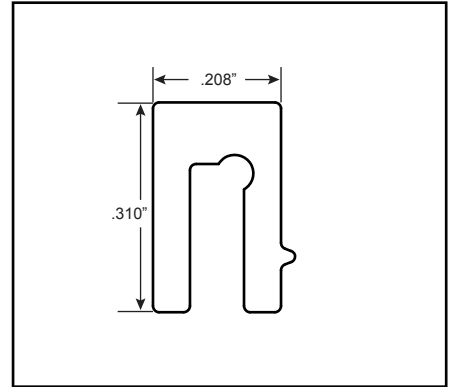
US801043
 1/4" TRANSOM SETTING BLOCK,
 (TX9200/TX9300/TX9500
 MFR FROM MID 2009 TO CURRENT)



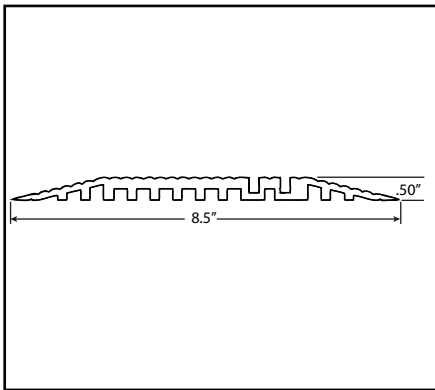
US800961
 THRESHOLD - RECESSED,
 (TX9200/TX9300/TX9500
 MFR FROM MID 2009 TO CURRENT)



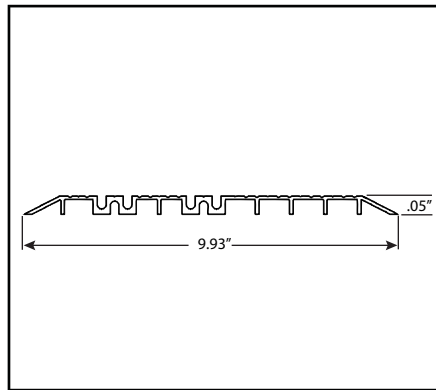
US800962
 THRESHOLD - COMBINATION,
 (TX9200/TX9300/TX9500
 MFR FROM MID 2009 TO CURRENT)



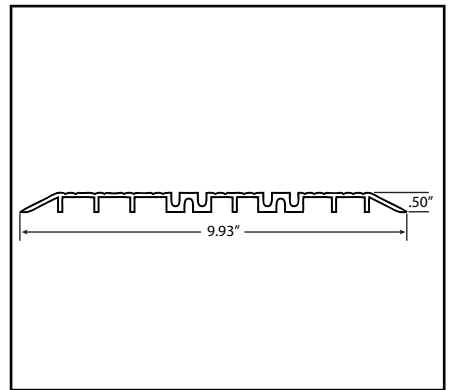
US800965
 THRESHOLD INSERT, SNAP IN
 USE WITH US800960, US800961
 US800962, US800966



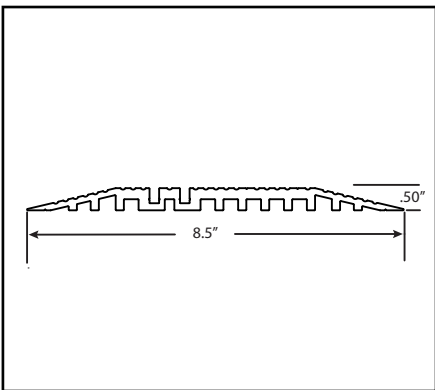
US800960
 THRESHOLD - DOUBLE BEVELED,
 (TX9200/TX9300/TX9500
 MFR FROM MID 2009 TO CURRENT)



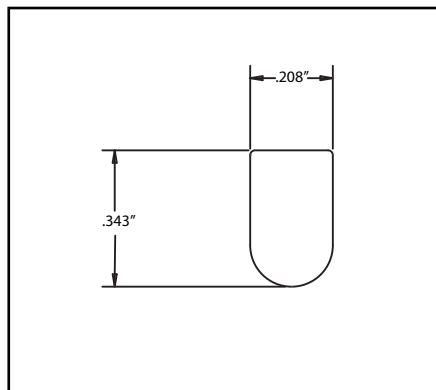
140608
 THRESHOLD 2-BEV 2-TRK, FBO
 (TX9420/9430)



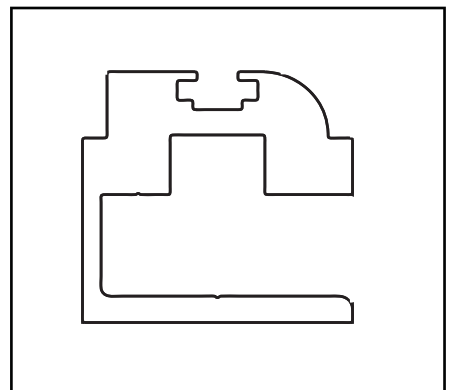
140672
 THRESHOLD 2-BEV 2-TRK, L-UP
 (TX9420 FLUSH MOUNT)



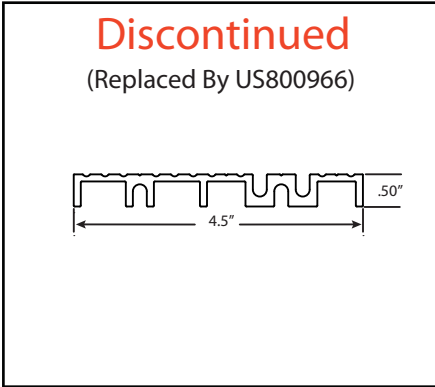
US800966
 THRESHOLD - DOUBLE BEVELED
 (TX9200/TX9300 STORM CURRENT,
 TX9200/TX9500 MFR TO 2009)



140350-08
 THRESHOLD-INSERT

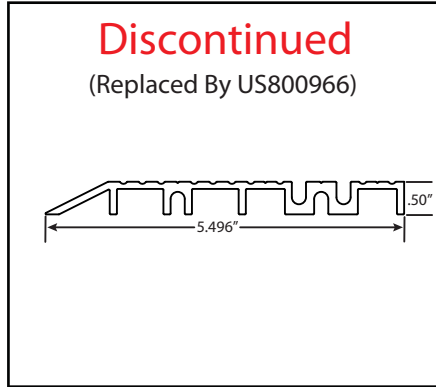


US801612
 FIXED SIDELITE BOTTOM
 GUIDE TRACK



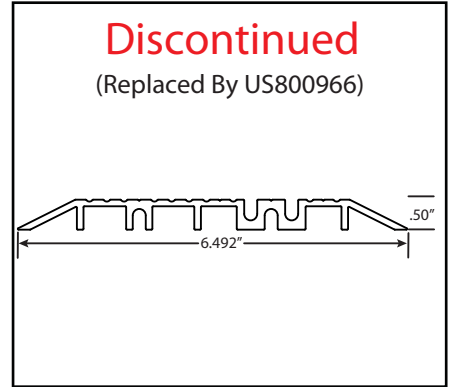
140347

NOTE: SPECIFY TYPE AT TIME OF
ORDER FOR FACTORY PREP
RECESSED/ DOUBLE BEVEL/
COMBO INT/ COMBO EXT



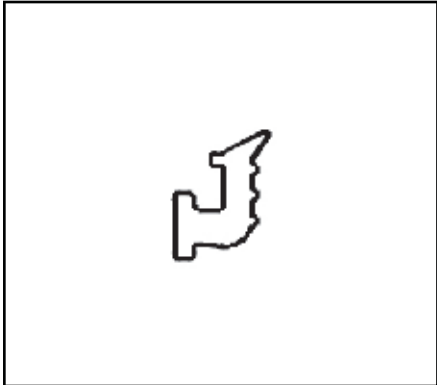
140348

NOTE: SPECIFY TYPE AT TIME OF
ORDER FOR FACTORY PREP
RECESSED/ DOUBLE BEVEL/
COMBO INT/ COMBO EXT

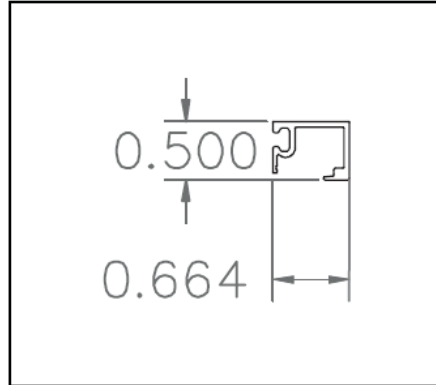


140349

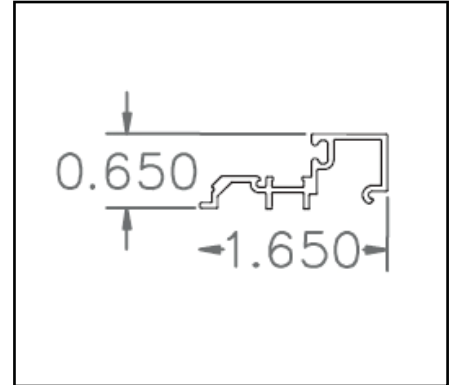
NOTE: SPECIFY TYPE AT TIME OF
ORDER FOR FACTORY PREP
RECESSED/ DOUBLE BEVEL/
COMBO INT/ COMBO EXT



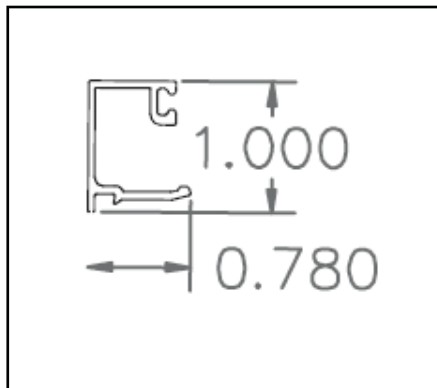
140132
 GLAZING GASKET
 (DOOR PANELS)



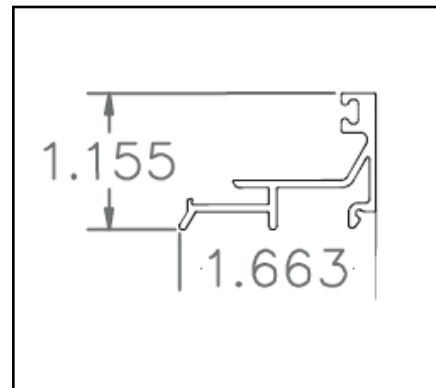
140801
 1/4" GLASS-STOP FACE
 (DOOR PANELS)



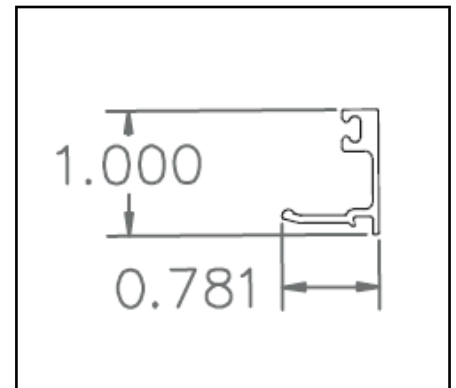
140802
 1/4" GLASS-STOP GUTTER
 (DOOR PANELS)



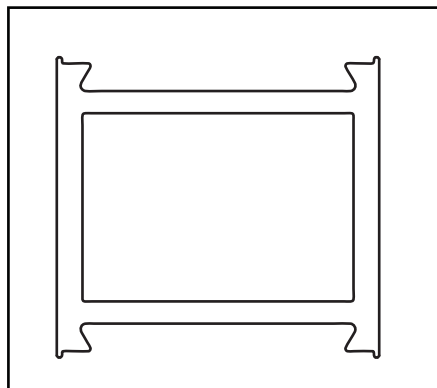
140804
 5/8" GLASS-STOP FACE
 (DOOR PANELS)



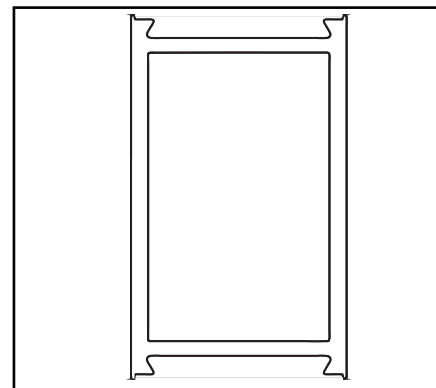
140805
 5/8-1" GLASS-STOP GUTTER
 (DOOR PANELS)



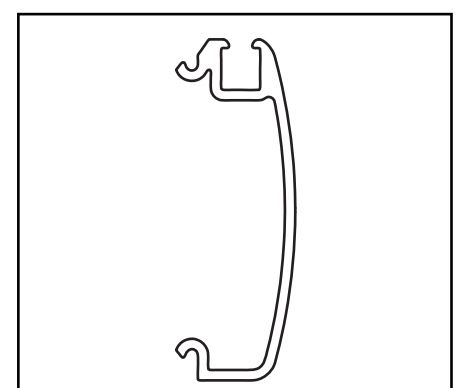
140806
 1" GLASS-STOP FACE
 (DOOR PANELS)



US801613
 1 5/8" NARROW O/P PANEL
 LEAD STILE EXTRUSION, (USE
 WITH US801611), (TX9200/TX9500
 MFR 2013 TO CURRENT)



US801614
 3" MEDIUM O-PANEL LEAD
 STILE EXTRUSION, (USE WITH
 US801611), (TX9200/TX9500
 MFR FROM 2013 TO CURRENT)



US801611
 O/P LEAD STILE SNAP IN BRUSH
 HOLDER, (USE WITH US801613
 US801614), (TX9200/TX9500
 MFR FROM 2013 TO CURRENT)



140283
 "AUTOMATIC DOOR - CAUTION"
 WINDOW DECAL



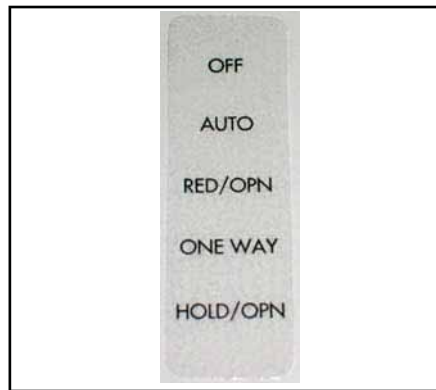
140406
 DAILY SAFETY CHECK DECAL
 (FOR SLIDING DOORS)



US801470
 BI-DIRECTION ARROW
 WINDOW DECAL



140287
 "IN EMERGENCY PUSH TO OPEN"
 US800350
 "AUTO DOOR - STAND CLEAR"



US800198
 FUNCTION CONTROL PAD
 LABEL DECAL



141030
 ENTER - ONE WAY
 WINDOW DECAL



US801204
 HANDICAP WINDOW DECAL



390.9392
 TORMAX DECAL
 390.9362
 TORMAX SLIDING ARROW DECAL



141031
 EXIT - ONE WAY
 WINDOW DECAL



US801610
 AUTOMATIC DOOR, 2 SIDED ARROW
 (FRENCH/ENGLISH)



US801593
 DO NOT ENTER, 2 SIDED, 6"
 (FRENCH/ENGLISH)



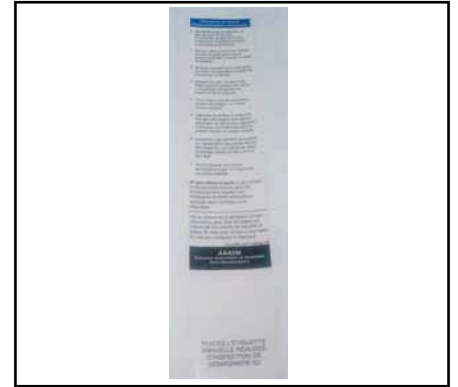
US801592
 ARROW, 2 SIDED, 6"
 (FRENCH/ENGLISH)



US 801590
 AUTOMATIC DOOR STAND CLEAR
 (FRENCH/ENGLISH)



US801591
 IN EMERGENCY TO OPEN
 (FRENCH/ENGLISH)



US801609
 AAADM DAILY SAFETY CHECK
 (FRENCH)