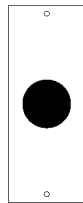


JOB NAME: _____ DATE: _____

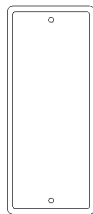
DOOR LOCATION: _____ DOOR NO: _____ SHEET OF _____

FRAME MOUNTED STAINLESS STEEL SWITCHES



ONE INCH DIAMETER
 PUSH BUTTON FRAME SWITCH
 STAINLESS STEEL 1 3/4"x4 1/2"
 COMPLETE WITH
 PUSH TO OPEN LOGO
 DECAL (HC PTO)

- INSTALLATION CRITERIA
- INSTALLATION HEIGHT - 36" MIN. 48" MAX.
 - INSTALLATION DISTANCE - 12'-0" MAX. FROM CENTER OF DOOR
 - INSTALLED WITHIN VIEW OF AUTOMATIC DOOR



DELUXE FRAME SWITCH
 STAINLESS STEEL
 1 3/4"x4 1/2"
 (PLAIN)



DELUXE FRAME SWITCH
 STAINLESS STEEL
 1 3/4"x4 1/2"
 W/HANDICAP LOGO
 (ENGRAVED)
 (HC)



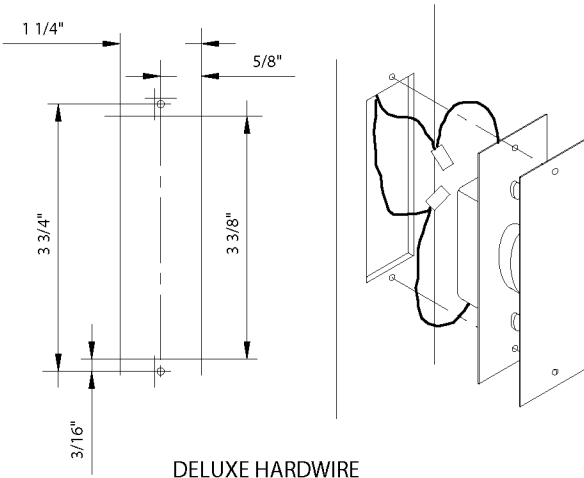
DELUXE FRAME SWITCH
 STAINLESS STEEL
 1 3/4"x4 1/2"
 PUSH TO OPEN
 W/HANDICAP LOGO
 (ENGRAVED)
 (HC PTO)



DELUXE FRAME SWITCH
 STAINLESS STEEL
 1 3/4"x4 1/2"
 PUSH TO OPEN
 (ENGRAVED)
 (PTO)

FRAME SWITCH DETAILS

(2) #18 LOW VOLTAGE WIRES (OR PER LOCAL CODE)
 FROM OPERATOR TO EACH PUSH PLATE FOR HARD WIRING.



(2) #18 LOW VOLTAGE WIRES (OR PER LOCAL CODE)
 FROM OPERATOR TO EACH PUSH PLATE FOR HARD WIRING.

