

MANUAL SWITCHES

JOB NAME: _____ DATE: _____

DOOR LOCATION: _____ DOOR NO: _____ SHEET OF _____

CLEANSKAN - TOUCHLESS WALL SWITCH
 SINGLE GANG SWITCH

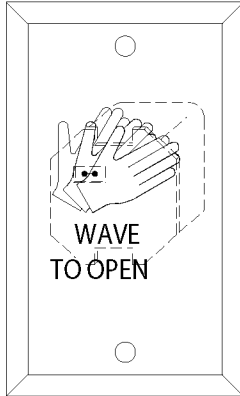


PLATE SIZE
 2 3/4"W x 4 9/16"H x 17/8"D
 FOR USE WITH
 CONVENTIONAL
 SINGLE GANG BOXES
 SURFACE OR RECESS
 MOUNT
 DETECTION RANGE 2"-24"
 ADJUSTABLE

CLEANSKAN - TOUCHLESS WALL SWITCH
 DOUBLE GANG SWITCH

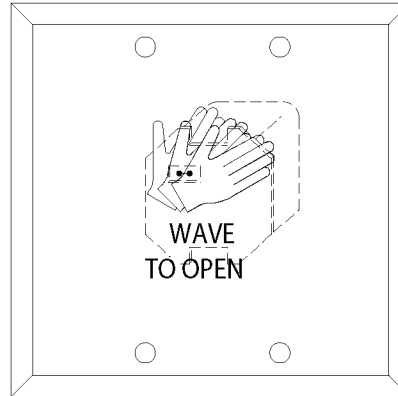
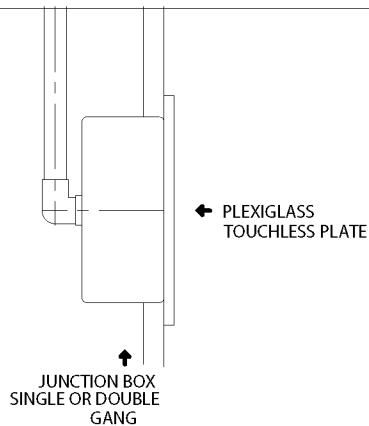
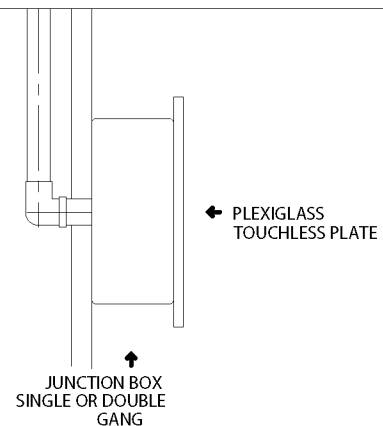


PLATE SIZE
 4 5/8"W x 4 9/16"H x 1 7/8"D
 FOR USE WITH
 CONVENTIONAL
 DOUBLE GANG BOXES
 SURFACE OR RECESS
 MOUNT
 DETECTION RANGE 2"-24"
 ADJUSTABLE



HARDWIRE - RECESS MOUNT

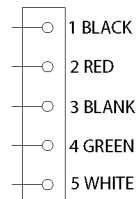


HARDWIRE - SURFACE MOUNT

1. (4) #18 LOW VOLTAGE WIRES (OR PER LOCAL CODE)
 REQUESTED FROM OPERATION TO EACH TOUCHLESS
 PUSH PLATE BY ELECTRICAL CONTRACTOR.

2. JUNCTION BOX
 BY ELECTRICAL
 CONTRACTOR.

12 or 24V AC/DC(-)
 12 or 24V AC/DC(+)
 N/C
 N/O
 COMMON



INSTALLATION CRITERIA

- INSTALLATION HEIGHT - 36" MIN.
48" MAX.
- INSTALLATION DISTANCE - 12'-0"
MAX. FROM CENTER OF DOOR
- INSTALLED WITHIN VIEW OF
AUTOMATIC DOOR