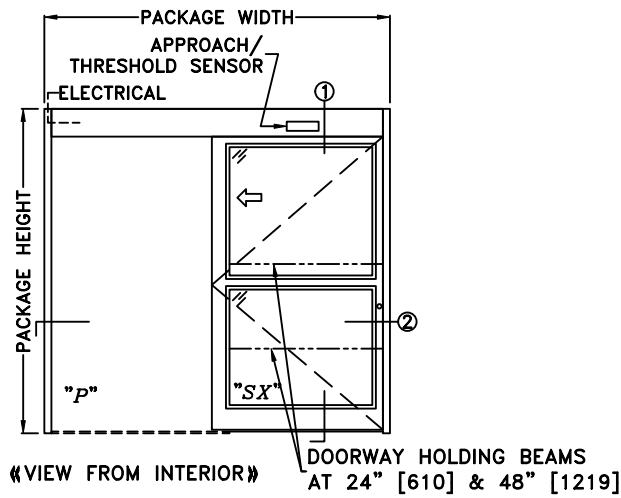
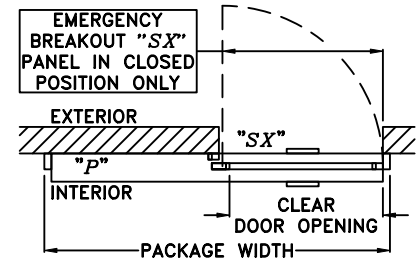


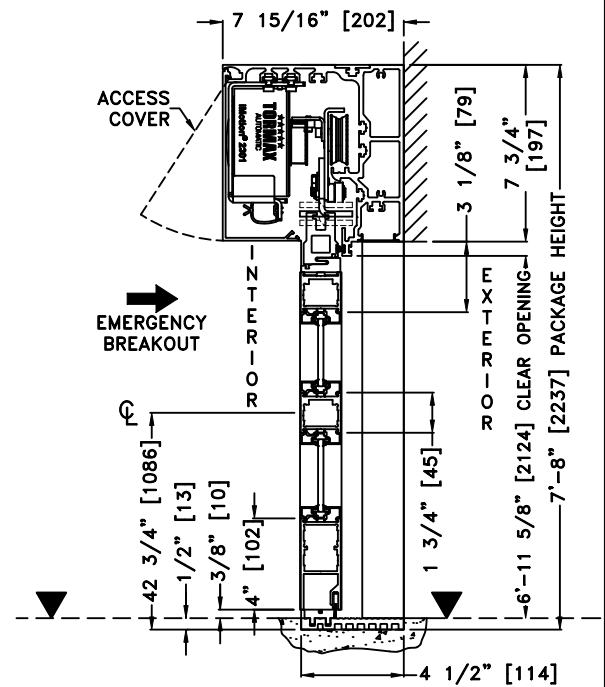
JOB NAME: \_\_\_\_\_ DATE: \_\_\_\_\_  
 DOOR LOCATION: \_\_\_\_\_ DOOR NO: \_\_\_\_\_ SHEET \_\_\_\_ OF \_\_\_\_



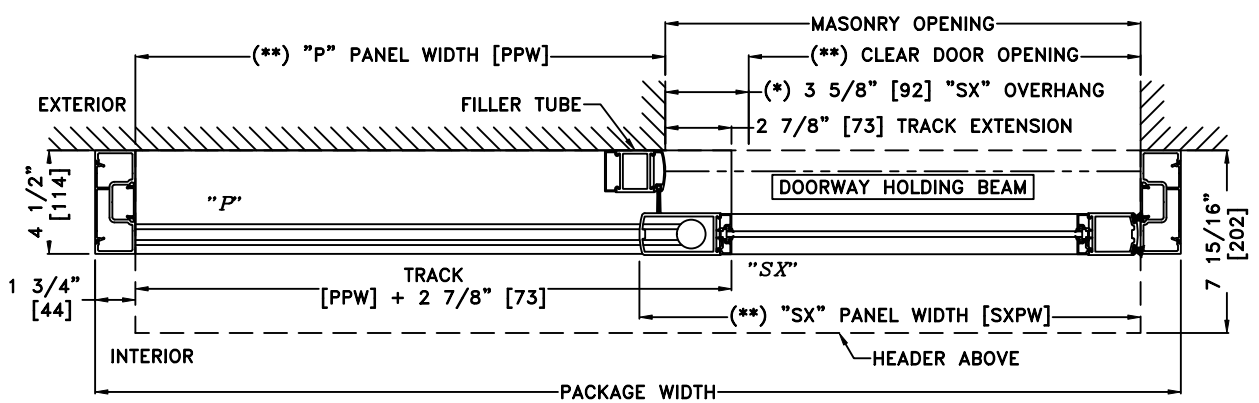
**ELEVATION**  
 (VIEW FROM INTERIOR)



**PLAN**



**1 VERTICAL SECTION**  
 ▼ = FINISHED FLOOR



**2 HORIZONTAL SECTION**

\*SEE APPENDIX FOR DETAILS OF TX9200 HEAVY DUTY DRIVE SYSTEM & THRESHOLD OPTIONS

- NOTES:
1. DETAILS NOT TO SCALE
  2. ELECTRICAL REQUIREMENTS: 120 VAC, 5 AMPS MIN. TO OPERATOR BY ELECTRICAL CONTRACTOR
  3. DOOR PACKAGES ARE INDIVIDUALLY ENGINEERED TO FIT YOUR JOB REQUIREMENTS

SAMPLE PACKAGE WIDTH INFORMATION			
PACKAGE WIDTH [UW] (*)	CLEAR DOOR OPENING [CDO] (*)	PANEL WIDTH [PW] (*)	EMERGENCY BREAKOUT WIDTH (*)
$2*[CDO] + 11 \frac{3}{4}$	$[UW]\frac{1}{2} - 5 \frac{7}{8}$ -OR- $[PW] - 4 \frac{5}{8}$	$[UW]\frac{1}{2} - 1 \frac{1}{4}$	$[UW] - [PW] - 5 \frac{1}{2}$
7'-0" [2134]	36 1/8" [918]	40 3/4" [1035]	37 3/4" [959]
8'-0" [2438]	42 1/8" [1070]	46 3/4" [1187]	43 3/4" [1111]
9'-0" [2743]	48 1/8" [1222]	52 3/4" [1340]	49 3/4" [1264]

(\*) CALCULATIONS BASED ON EQUAL PANELS, 2 1/8" NARROW STILES, & 1/4" GLASS  
 (\*\*) TO OPEN SX PANEL FLUSH WITH EDGE OF MO, USE THE FOLLOWING FORMULAS:  
 $[SXPW] = [MO] + 1$  |  $[PPW] = [MO] + 3 \frac{1}{4}$  |  $[UW] = 2*[MO] + 6 \frac{3}{4}$