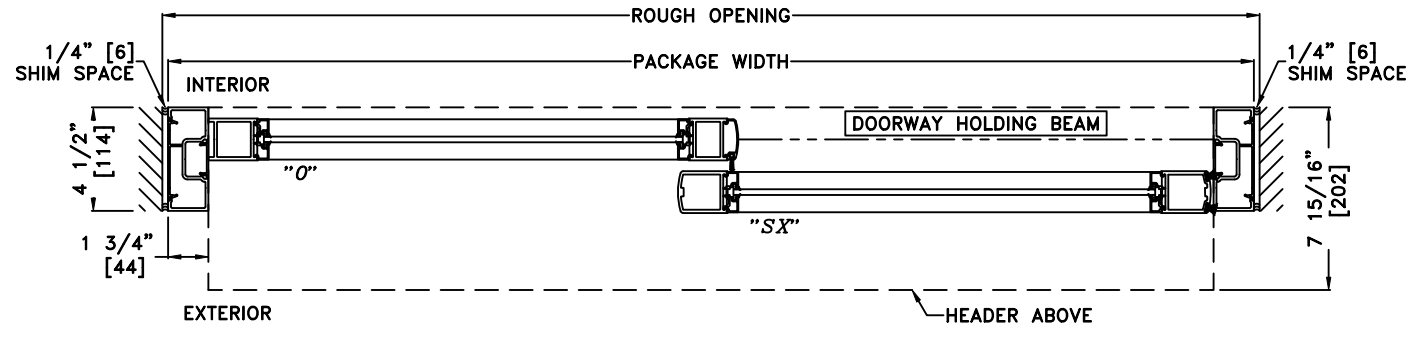
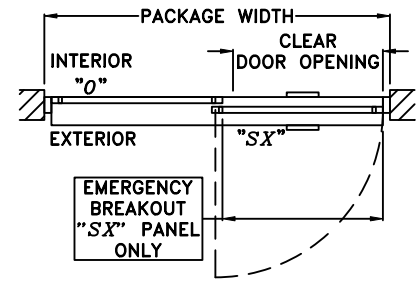
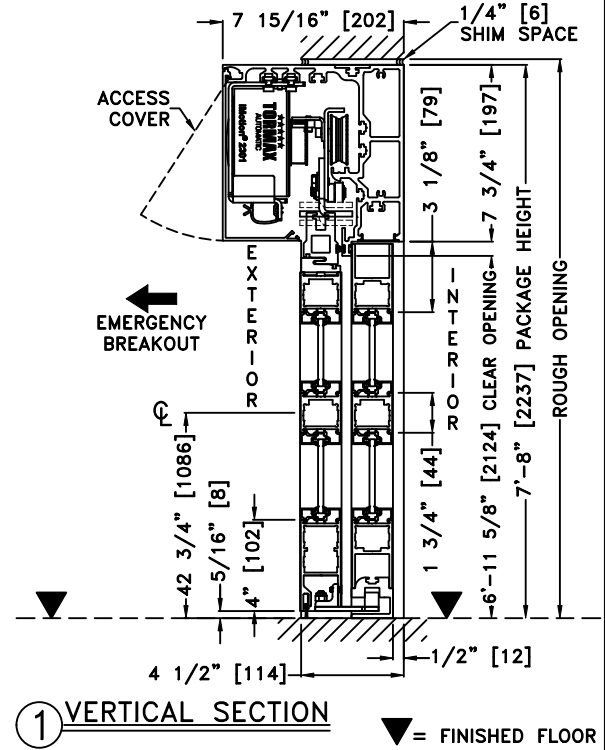
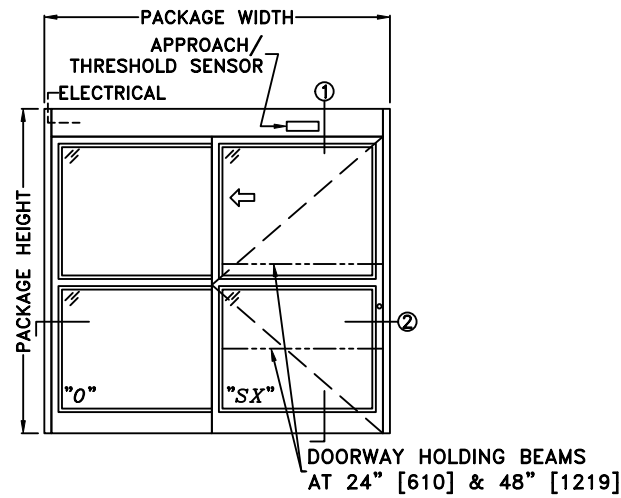


JOB NAME: \_\_\_\_\_ DATE: \_\_\_\_\_  
 DOOR LOCATION: \_\_\_\_\_ DOOR NO: \_\_\_\_\_ SHEET \_\_\_\_ OF \_\_\_\_



\*SEE APPENDIX FOR DETAILS OF TX9200 HEAVY DUTY DRIVE SYSTEM & THRESHOLD OPTIONS

- NOTES:
1. DETAILS NOT TO SCALE
  2. ELECTRICAL REQUIREMENTS:  
 120 VAC, 5 AMPS MIN. TO OPERATOR BY ELECTRICAL CONTRACTOR
  3. DOOR PACKAGES ARE INDIVIDUALLY ENGINEERED TO FIT YOUR JOB REQUIREMENTS

| SAMPLE PACKAGE WIDTH INFORMATION   |   |                                  |                               |
|--|---|----------------------------------|-------------------------------|
| PACKAGE WIDTH [UW] (*)   | CLEAR DOOR OPENING [CDO] (*)                                      | PANEL WIDTH [PW] (*)             | EMERGENCY BREAKOUT WIDTH (*)  |
| $2*[CDO] + 13 \frac{1}{4}$   | $[UW] \frac{1}{2} - 6 \frac{5}{8}$<br>-OR- $[PW] - 6 \frac{1}{8}$ | $[UW] \frac{1}{2} - \frac{1}{2}$ | $[UW] - [PW] - 3 \frac{1}{2}$ |
| 7'-0" [2134]   | 35 3/8" [899]   | 41 1/2" [1054]                   | 39" [991]                     |
| 8'-0" [2438]   | 41 3/8" [1051]  | 47 1/2" [1207]                   | 45" [1143]                    |
| 9'-0" [2743]   | 47 3/8" [1203]  | 53 1/2" [1359]                   | 51" [1295]                    |
| (*) CALCULATIONS BASED ON EQUAL PANELS, 2 1/8" NARROW STILES, & 1/4" GLASS |   |                                  |                               |