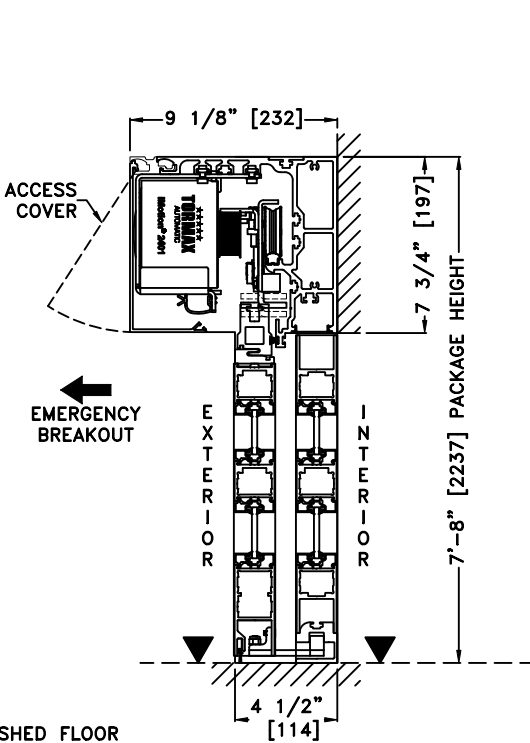


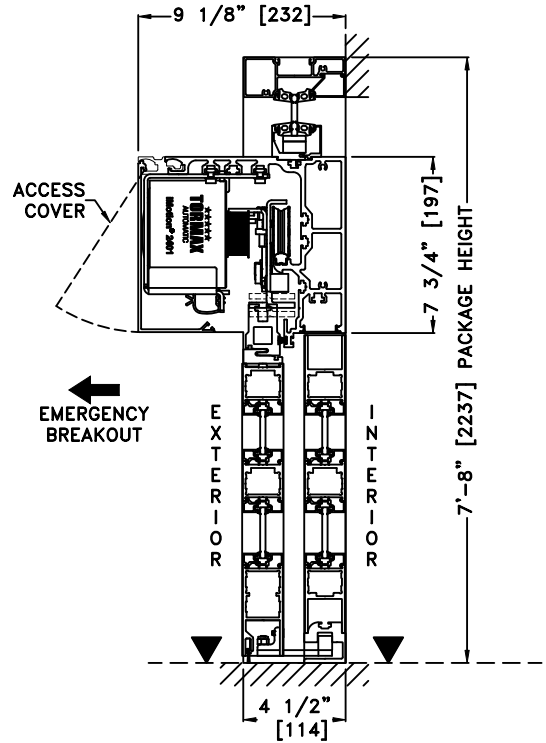
JOB NAME: _____ DATE: _____

DOOR LOCATION: _____ DOOR NO: _____ SHEET ____ OF ____

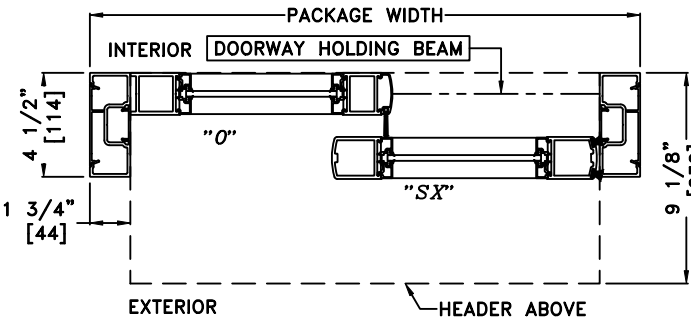


▼ = FINISHED FLOOR

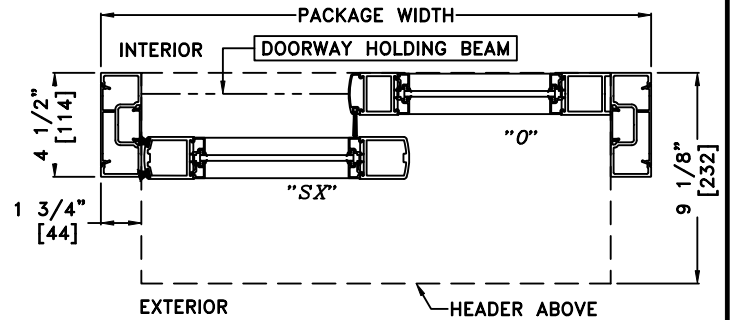
① VERTICAL SECTION WITHOUT TRANSOM



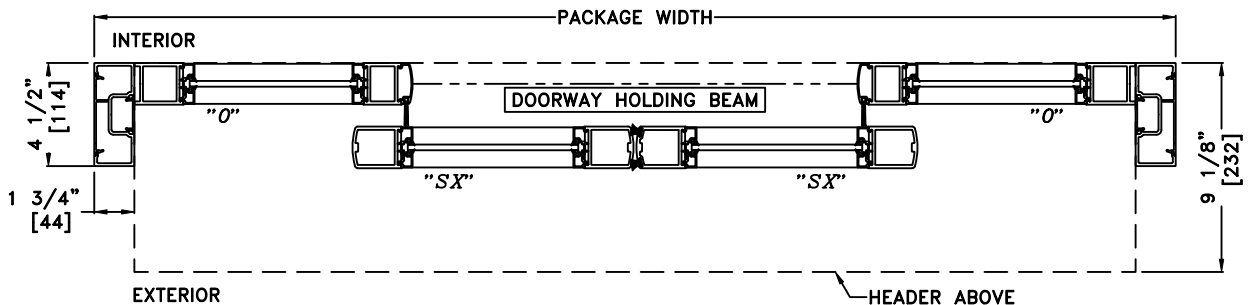
① VERTICAL SECTION WITH TRANSOM



② HORIZONTAL SECTION – LH SINGLE SLIDE



② HORIZONTAL SECTION – RH SINGLE SLIDE



② HORIZONTAL SECTION – BIPART SLIDER