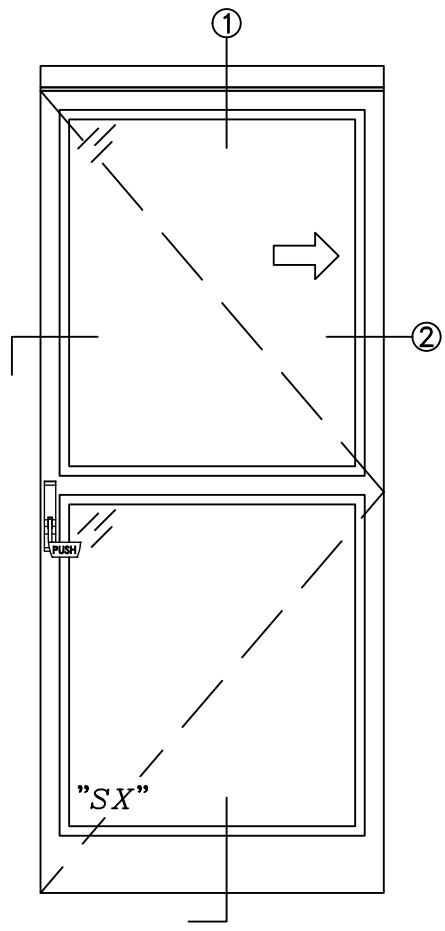
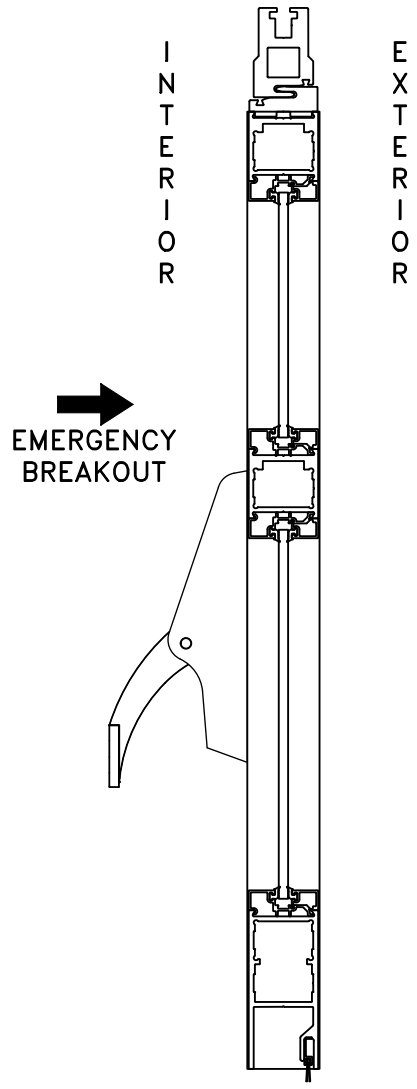


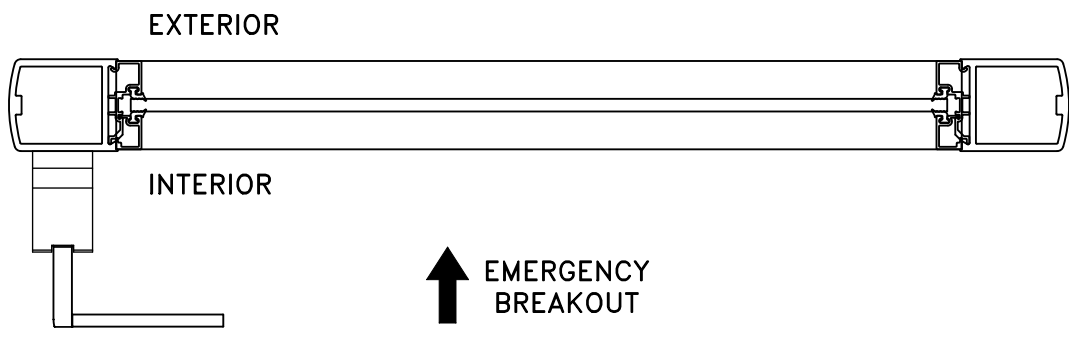
JOB NAME: _____ DATE: _____
 DOOR LOCATION: _____ DOOR NO: _____ SHEET ____ OF ____



ELEVATION «VIEW FROM INTERIOR»



① VERTICAL SECTION



② HORIZONTAL SECTION