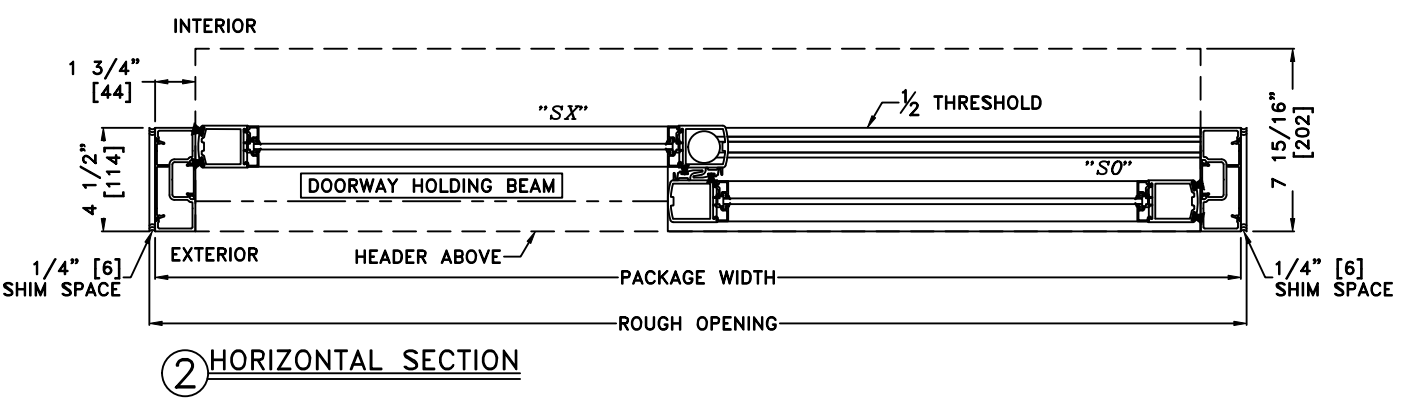
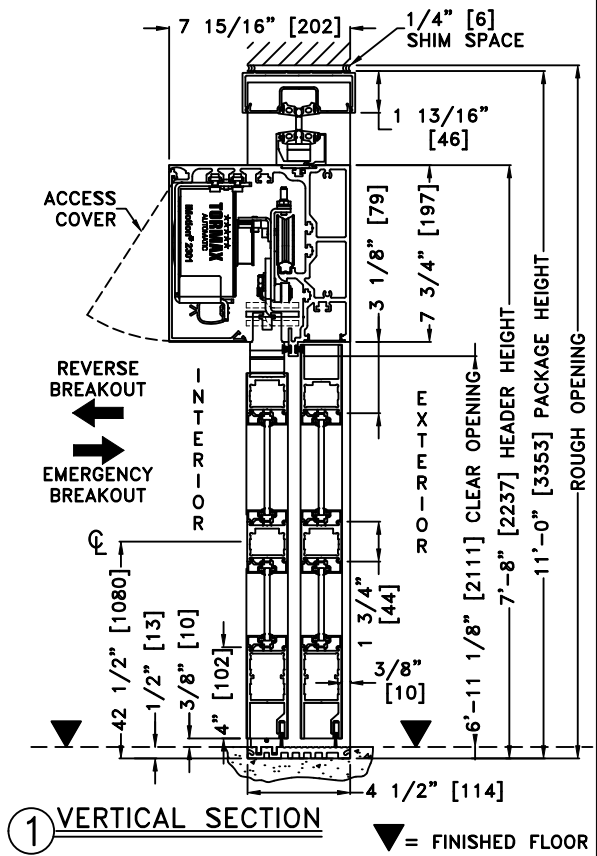
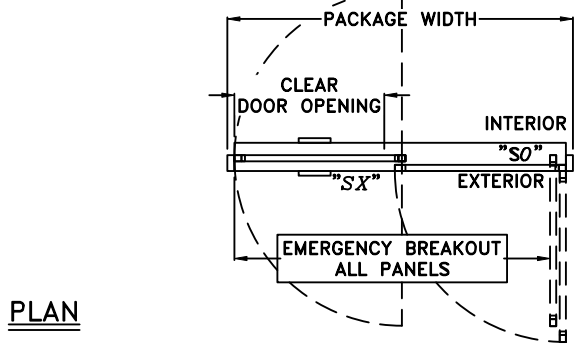
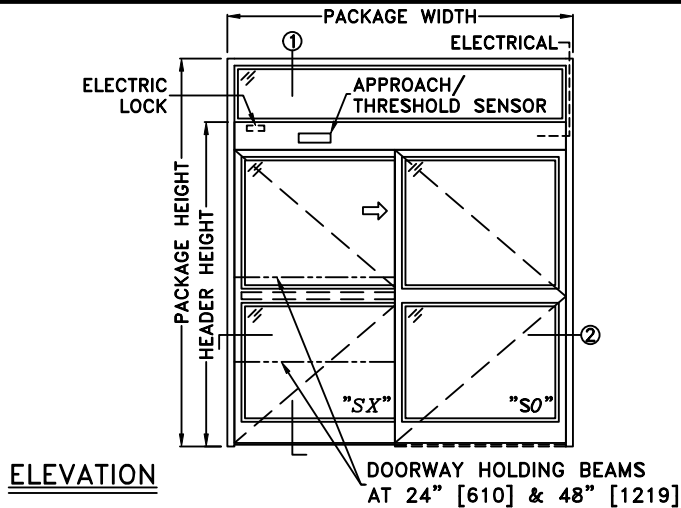


JOB NAME: _____ DATE: _____
 DOOR LOCATION: _____ DOOR NO: _____ SHEET ____ OF ____



*SEE APPENDIX FOR THRESHOLD OPTIONS

- NOTES:
 1. DETAILS NOT TO SCALE
 2. ELECTRICAL REQUIREMENTS: 120 VAC, 5 AMPS MIN. TO OPERATOR BY ELECTRICAL CONTRACTOR
 3. DOOR PACKAGES ARE INDIVIDUALLY ENGINEERED TO FIT YOUR JOB REQUIREMENTS

SAMPLE PACKAGE WIDTH INFORMATION				
PACKAGE WIDTH [UW] (*)	CLEAR DOOR OPENING [CDO] (*)	PANEL WIDTH [PW] (*)	DOUBLE BREAKOUT WIDTH (*)	EMERGENCY BREAKOUT WIDTH (*)
2*[CDO] + 13 3/8"	[UW]/2 - 6 1/16" -OR- [PW] - 6 1/8"	[UW]/2 - 9/16"	[PW] - 2 1/2"	[UW] - 9"
7'-0" [2134]	35 5/16" [897]	41 7/16" [1053]	55 9/16" [1411]	75" [1905]
8'-0" [2438]	41 5/16" [1049]	47 7/16" [1205]	67 1/2" [1715]	87" [2210]
9'-0" [2743]	47 5/16" [1202]	53 7/16" [1357]	84 3/4" [2153]	99" [2515]
(*) CALCULATIONS BASED ON EQUAL PANELS, 2 1/8" NARROW STILES, & 1/4" GLASS				