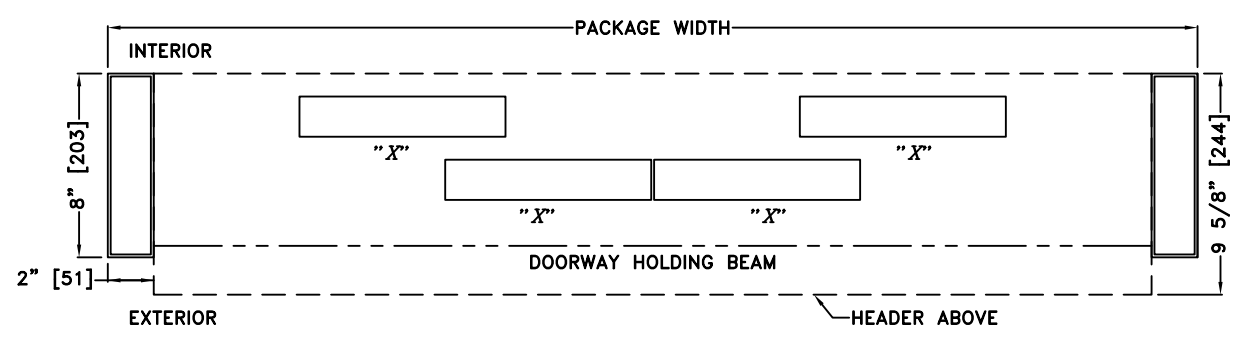
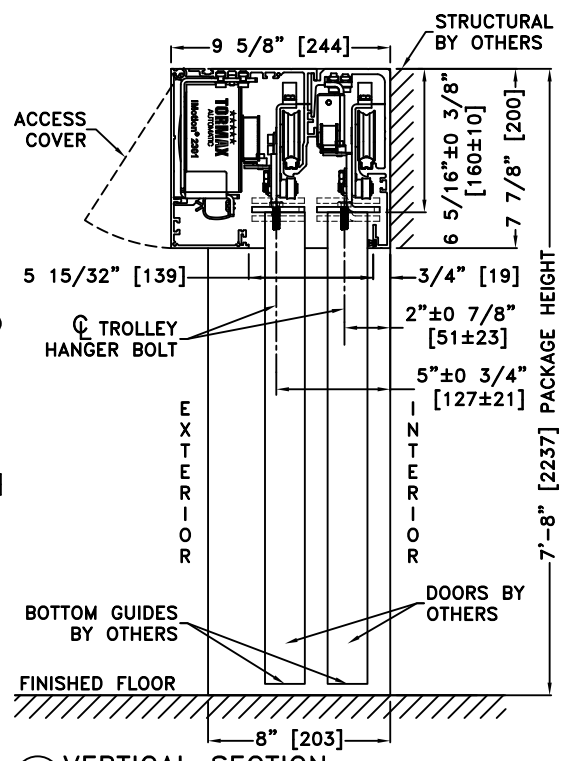
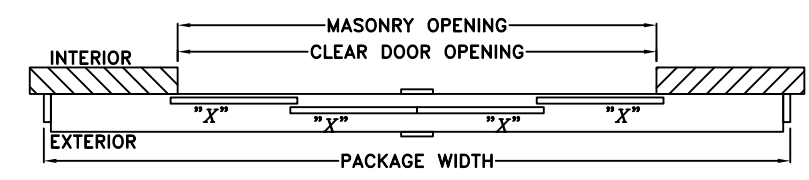
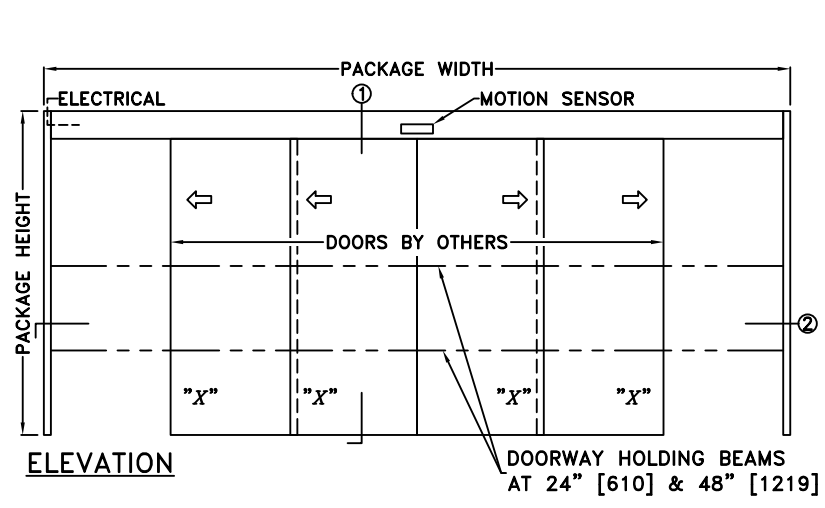


JOB NAME: _____ DATE: _____
 DOOR LOCATION: _____ DOOR NO: _____ SHEET ____ OF ____



*SEE APPENDIX FOR DETAILS OF HEAVY DUTY DRIVE SYSTEM AND THRESHOLD OPTIONS

- NOTES:
1. DETAILS NOT TO SCALE
 2. ELECTRICAL REQUIREMENTS: 120 VAC, 5 AMPS MIN. TO OPERATOR BY ELECTRICAL CONTRACTOR
 3. DOOR PACKAGES ARE INDIVIDUALLY ENGINEERED TO FIT YOUR JOB REQUIREMENTS

SAMPLE PACKAGE WIDTH INFORMATION			
PACKAGE WIDTH [UW]	CLEAR DOOR OPENING [CDO]	PANEL WIDTH [PW]	EMERGENCY BREAKOUT WIDTH
$(1 \frac{1}{2}) * [CDO] + 2 * [OL] + 4$	$(\frac{2}{3}) * [UW] - (\frac{4}{3}) * [OL] - \frac{8}{3}$ -OR- $4 * [PW] - 4 * [OL]$	$[UW] / 6 + (\frac{2}{3}) * [OL] - \frac{2}{3}$	X
10'-0" [3048]	74 5/8" [1895] (*)	20 5/8" [524] (*)	
12'-0" [3658]	90 5/8" [2302] (*)	24 5/8" [625] (*)	
14'-0" [4267]	106 5/8" [2708] (*)	28 5/8" [727] (*)	
DIMENSIONS NOMINAL (*) CALCULATIONS BASED ON 2" OVERLAP [OL] & WITHOUT FINGERGUARD PROTECTION			