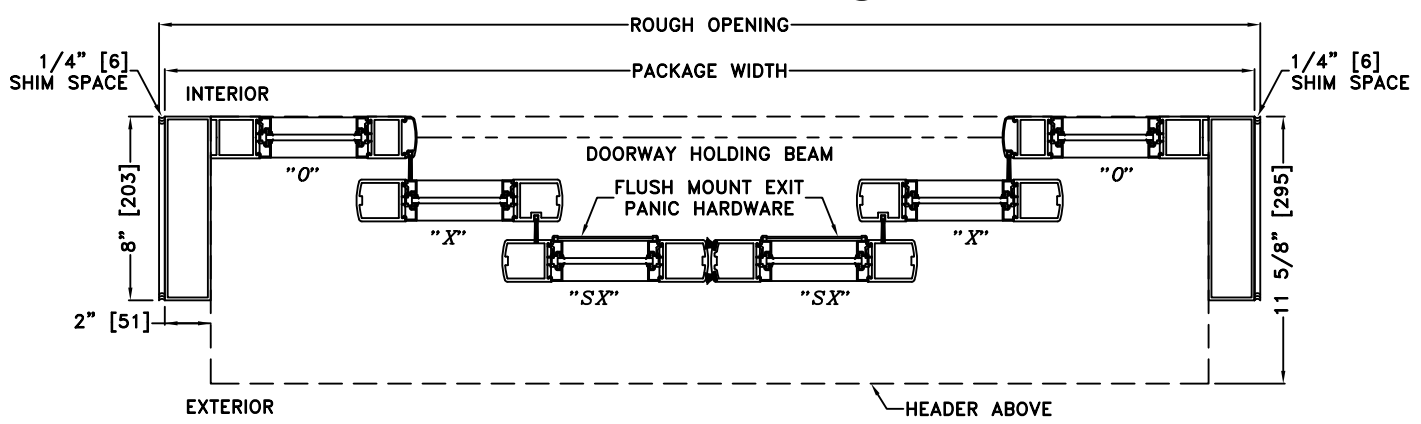
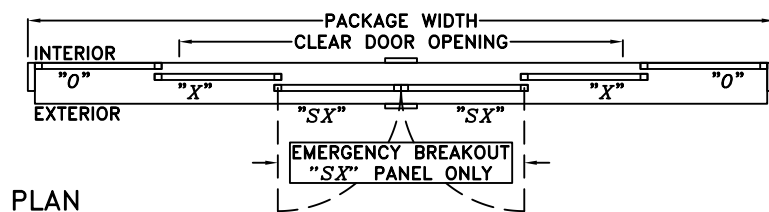
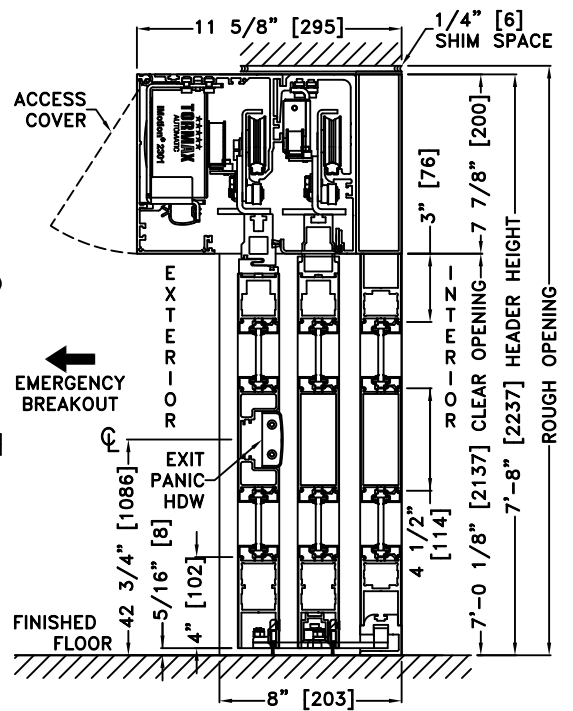
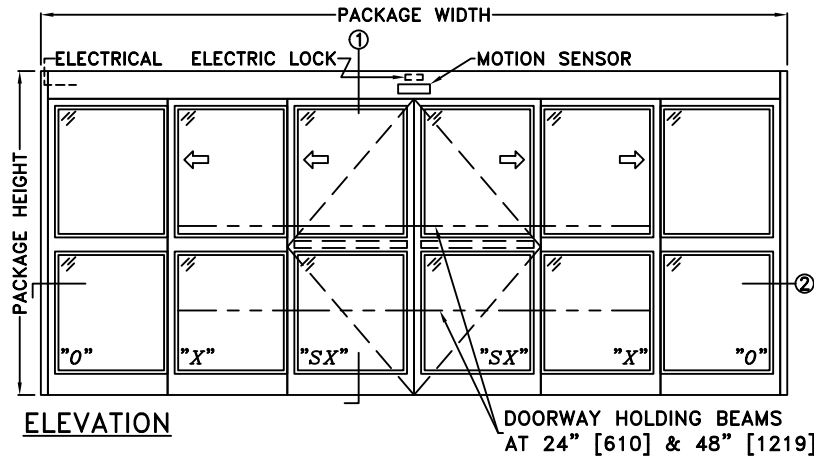


JOB NAME: _____ DATE: _____
 DOOR LOCATION: _____ DOOR NO: _____ SHEET ____ OF ____



*SEE APPENDIX FOR DETAILS OF HEAVY DUTY DRIVE SYSTEM, THRESHOLD OPTIONS, & SURFACE MOUNT CONCEALED VERTICAL ROD EXIT PANIC HARDWARE OPTION

- NOTES:
1. DETAILS NOT TO SCALE
 2. ELECTRICAL REQUIREMENTS: 120 VAC, 5 AMPS MIN. TO OPERATOR BY ELECTRICAL CONTRACTOR
 3. DOOR PACKAGES ARE INDIVIDUALLY ENGINEERED TO FIT YOUR JOB REQUIREMENTS

SAMPLE PACKAGE WIDTH INFORMATION			
PACKAGE WIDTH [UW] (*)	CLEAR DOOR OPENING [CDO] (*)	PANEL WIDTH [PW] (*)	EMERGENCY BREAKOUT WIDTH (*)
$(1 \frac{1}{2}) * [CDO] + 24 \frac{3}{16}$	$(\frac{2}{3}) * [UW] - 16 \frac{1}{8}$ -OR- $4 * [PW] - 20 \frac{3}{8}$	$[UW] \frac{1}{6} + 1 \frac{1}{16}$	$[UW] \frac{1}{3} - 3$ -OR- $2 * [PW] - 5 \frac{1}{8}$
10'-0" [3048]	63 7/8" [1622]	21" [533]	37" [940]
12'-0" [3658]	79 7/8" [2029]	25" [635]	45" [1143]
14'-0" [4267]	95 7/8" [2435]	29" [737]	53" [1346]
(*) CALCULATIONS BASED ON EQUAL PANELS, 2 1/8" NARROW STILES, & 1/4" GLASS			