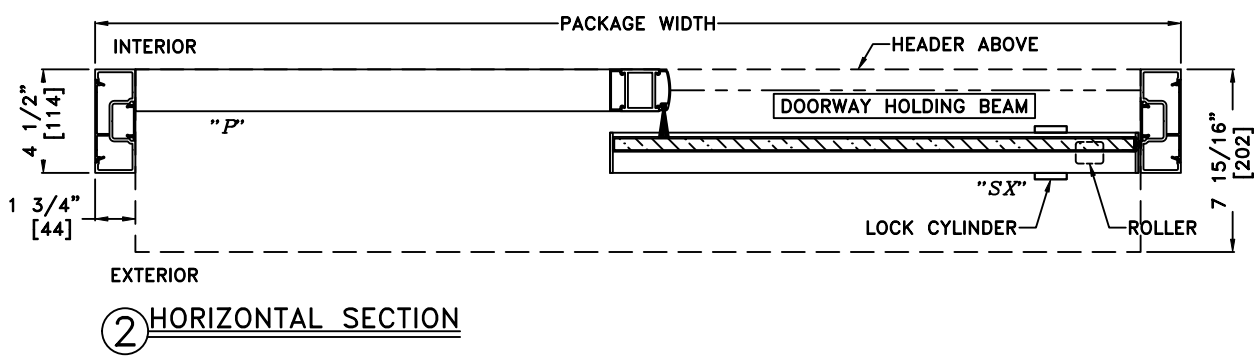
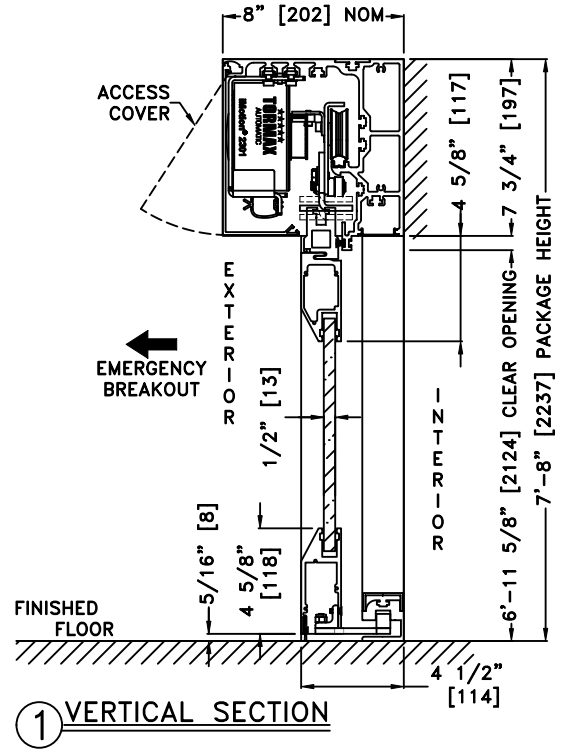
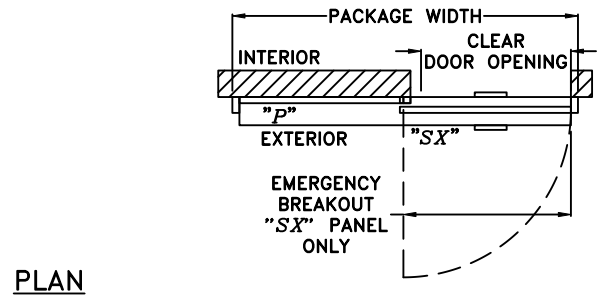
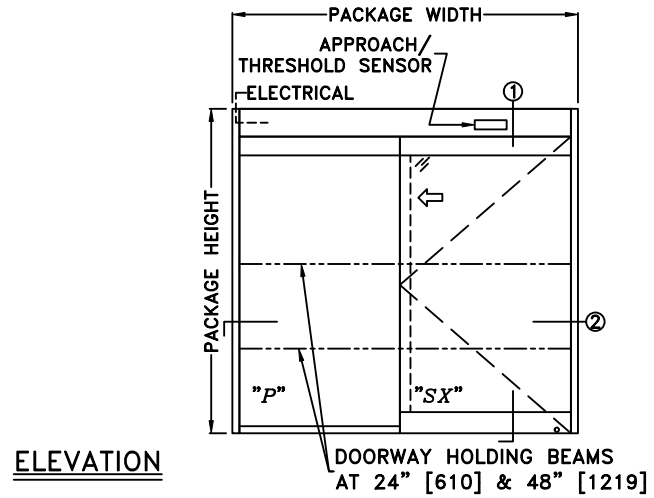


JOB NAME: _____ DATE: _____
 DOOR LOCATION: _____ DOOR NO: _____ SHEET ____ OF ____



SEE APPENDIX 2.1.A FOR THRESHOLD OPTIONS
 SEE APPENDIX 2.4.A FOR DETAILS OF TX9500AG
 OUTSIDE SLIDE W/HEAVY DUTY DRIVE SYSTEM

- NOTES:
 1. ELEVATION & PLAN DETAILS NOT TO SCALE
 2. ELECTRICAL REQUIREMENTS:
 120 VAC, 5 AMPS MIN. TO OPERATOR BY
 ELECTRICAL CONTRACTOR
 3. DOOR PACKAGES ARE INDIVIDUALLY ENGINEERED TO
 FIT YOUR JOB REQUIREMENTS

SAMPLE PACKAGE WIDTH INFORMATION			
PACKAGE WIDTH [UW]	CLEAR DOOR OPENING [CDO]	PANEL WIDTH [PW]	EMERGENCY BREAKOUT WIDTH
$2*[CDO] + 12$	$[UW]/2 - 6$ -OR- $[PW] - 5 \frac{1}{2}$	$[UW]/2 - \frac{1}{2}$	$[UW]/2 - 3$
7'-0" [2134]	36" [914]	41 1/2" [1054]	39" [991]
8'-0" [2438]	42" [1067]	47 1/2" [1207]	45" [1143]
9'-0" [2743]	48" [1219]	53 1/2" [1359]	51" [1295]
DIMENSIONS NOMINAL			