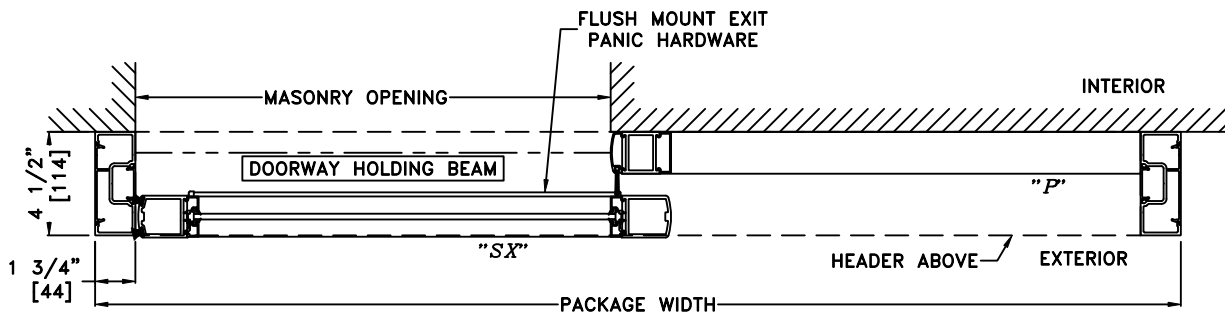
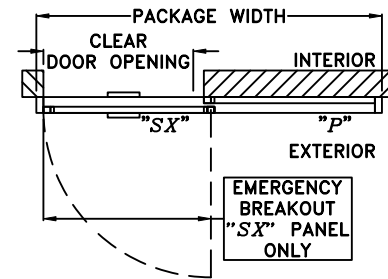
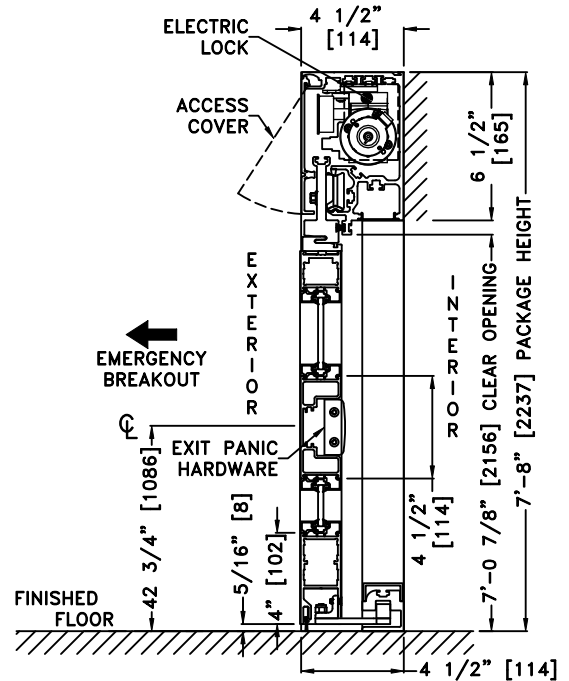
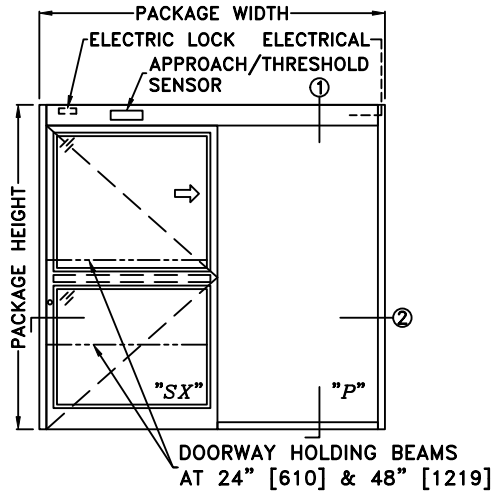


JOB NAME: _____ DATE: _____

DOOR LOCATION: _____ DOOR NO: _____ SHEET ____ OF ____



*SEE APPENDIX FOR THRESHOLD OPTIONS & SURFACE MOUNT CONCEALED VERTICAL ROD EXIT PANIC HARDWARE OPTION

NOTES:

1. DETAILS NOT TO SCALE
2. ELECTRICAL REQUIREMENTS:
 120 VAC, 5 AMPS MIN. TO OPERATOR BY ELECTRICAL CONTRACTOR
3. DOOR PACKAGES ARE INDIVIDUALLY ENGINEERED TO FIT YOUR JOB REQUIREMENTS

SAMPLE PACKAGE WIDTH INFORMATION			
PACKAGE WIDTH [UW] (*)	CLEAR DOOR OPENING [CDO] (*)	PANEL WIDTH [PW] (*)	EMERGENCY BREAKOUT WIDTH (*)
2*[CDO] + 13 1/4	[UW]/2 - 6 5/8 -OR- [PW] - 6 1/8	[UW]/2 - 1/2	[UW] - [PW] - 3.5
7'-0" [2134]	35 3/8" [899]	41 1/2" [1054]	39" [991]
8'-0" [2438]	41 3/8" [1051]	47 1/2" [1207]	45" [1143]
9'-0" [2743]	47 3/8" [1203]	53 1/2" [1359]	51" [1295]
(*) CALCULATIONS BASED ON EQUAL PANELS, 2 1/8" NARROW STILES, & 1/4" GLASS			