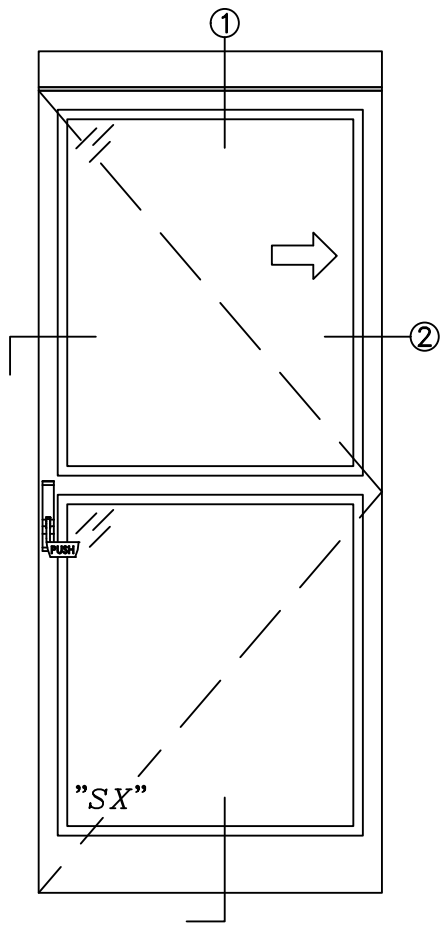
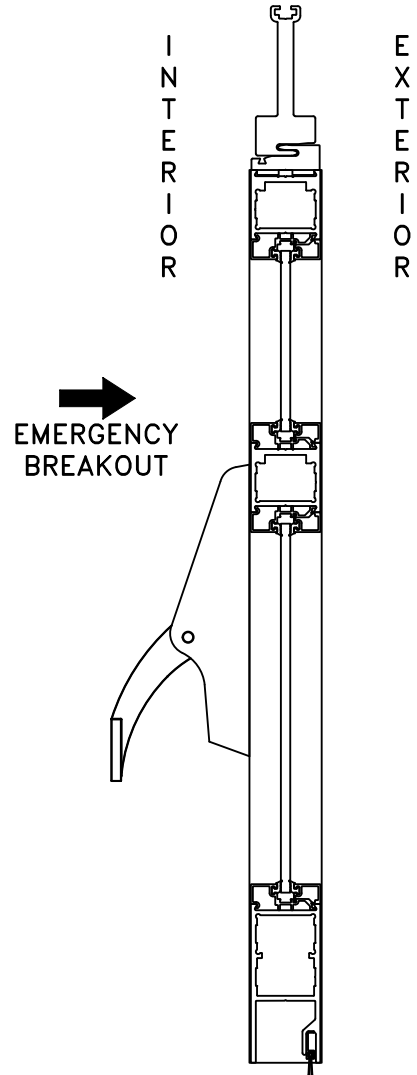


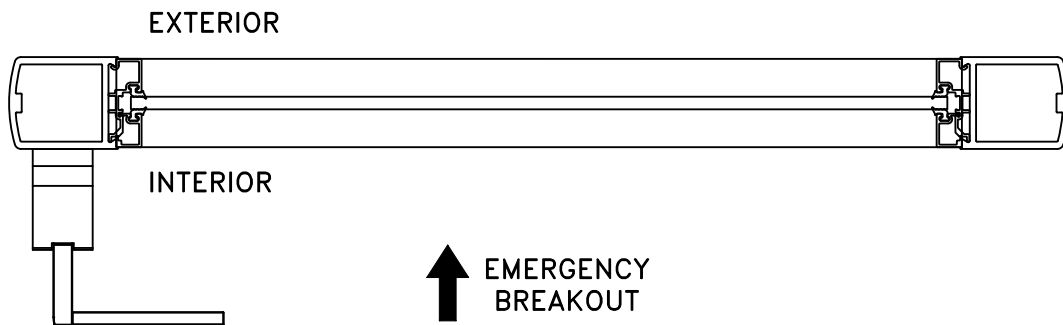
JOB NAME: \_\_\_\_\_ DATE: \_\_\_\_\_  
 DOOR LOCATION: \_\_\_\_\_ DOOR NO: \_\_\_\_\_ SHEET \_\_\_\_ OF \_\_\_\_



AS VIEWED FROM INTERIOR  
ELEVATION



① VERTICAL SECTION



② HORIZONTAL SECTION