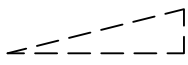
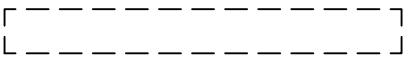
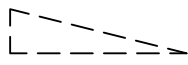


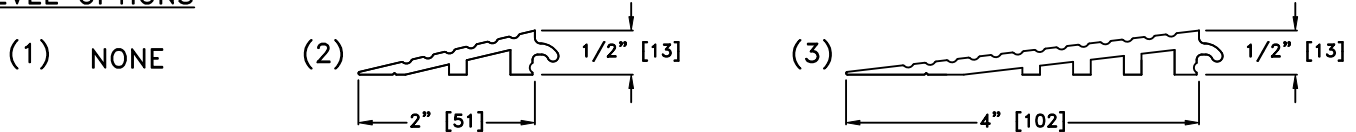
JOB NAME: _____ DATE: _____

DOOR LOCATION: _____ DOOR NO: _____ SHEET ____ OF ____

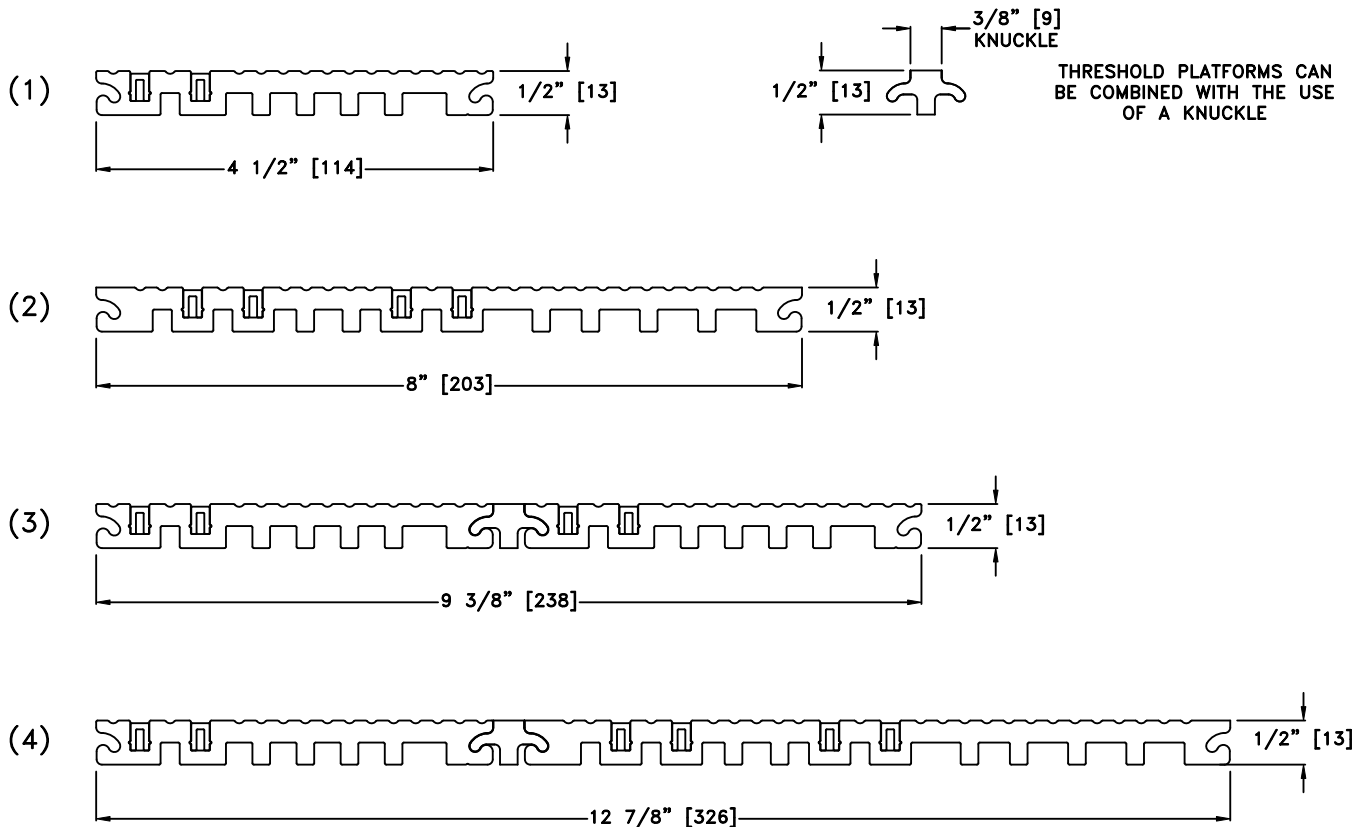
MODULAR THRESHOLD COMPONENTS

	(+)		(+)	
BEVEL OPTION <input type="checkbox"/> 1 <input type="checkbox"/> 2 <input type="checkbox"/> 3 (CHECK ONE)		PLATFORM OPTION <input type="checkbox"/> 1 <input type="checkbox"/> 2 <input type="checkbox"/> 3 <input type="checkbox"/> 4 (CHECK ONE)		BEVEL OPTION <input type="checkbox"/> 1 <input type="checkbox"/> 2 <input type="checkbox"/> 3 (CHECK ONE)

BEVEL OPTIONS



PLATFORM OPTIONS



NOTES:
 DUE TO VARYING FLOOR CONDITIONS THE FOLLOWING THRESHOLD OPTIONS MAY BE SUBSTITUTED FOR THE STANDARD CONFIGURATIONS ILLUSTRATED IN APPENDIX (2.5.A)